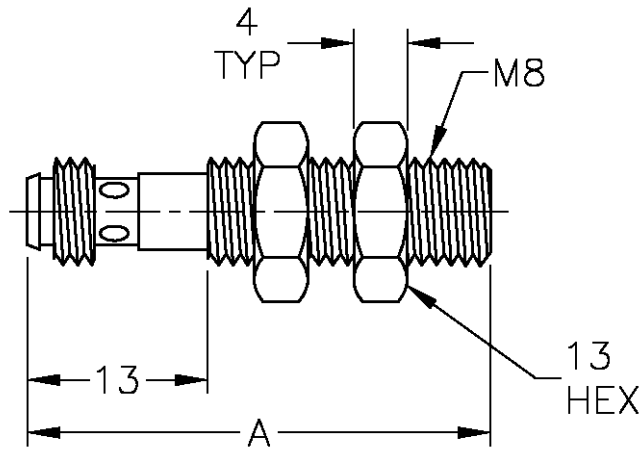



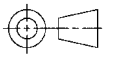
1. PART NUMBER AND CHARACTERISTICS



TE Part No	Rev	Operating Distance	A	Switch	Output	Mfr Part No
2030578-1	A	1.5	45	Normally Open	PNP	DCC 08 M 1.5 PSK-TSL
2030578-2	B	1.5	29	Normally Open	PNP	DCCK 08 M 1.5 PSK-TSL
2030578-3	B	1.5	29	Normally Closed	PNP	DCCK 08 M 1.5 POK-TSL
2030578-4	B	1.5	29	Normally Closed	NPN	DCCK 08 M 1.5 NOK-TSL
2030578-5	B	1.5	29	Normally Open	NPN	DCCK 08 M 1.5 NSK-TSL
2030578-6	C	2	45	Normally Open	PNP	DCC 08 M 02 PSK-TSL

1.1. All dimensions are nominal unless otherwise specified

2. MANUFACTURER
di-soric GmbH & Company KG
www.di-soric.com

COMMERCIALLY PURCHASED PRODUCT SPECIFICATION				LOC B	MATERIAL Stainless Steel Housing	FINISH ----
						©2013 Tyco Electronics Corporation, a TE Connectivity Ltd. company All Rights Reserved
				DIMENSIONS IN mm	SENSOR, PROXIMITY SWITCH, INDUCTIVE, THREADED CONNECTION, WITH LEDS	
						
C	Add -6	JNB	12SEP13	SHEET 1 OF 1	NO 2030578	REV C
REV	ENGINEERING CHANGE	CHK	DATE			