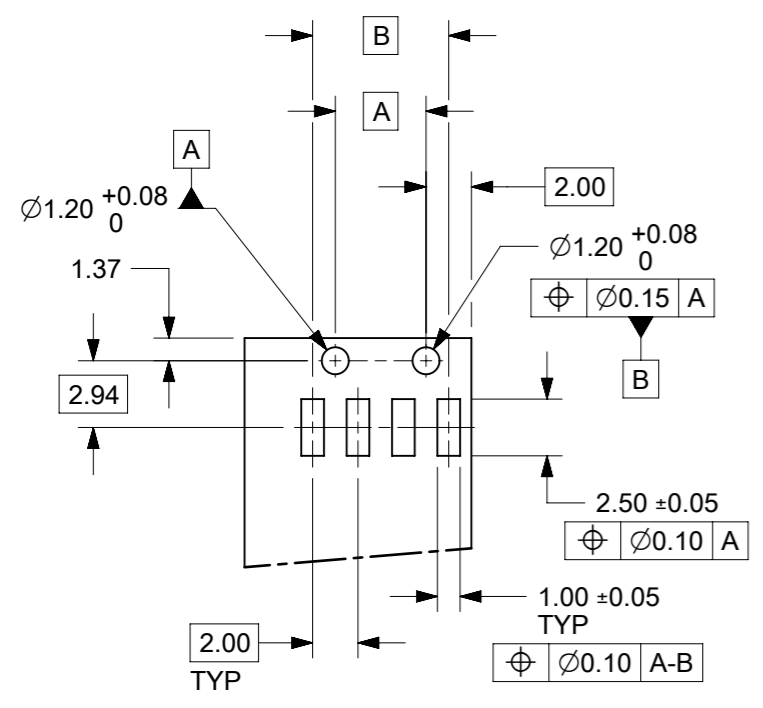
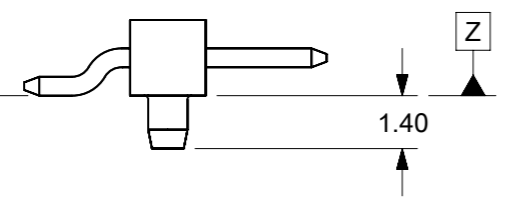
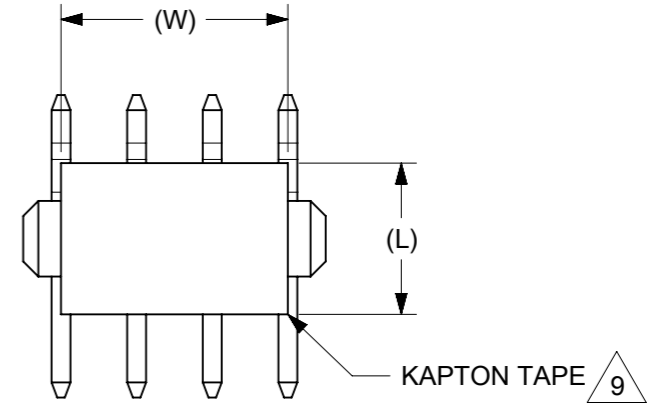


- NOTES:
1. MATERIAL:
HSG: LCP, GLASS-FILLED, UL94V-0, COLOR:BLACK
PIN: 0.50mm SQ, COPPER ALLOY
 2. PLATING:
(1) 2.540µm TIN OVERALL PLATING OVER NICKEL OVERALL
(2) 5.080µm TIN OVERALL PLATING OVER NICKEL OVERALL
 3. PACKAGING TYPE: SEE TABLE
 4. PACKAGING SPECIFICATION:
TRAY: PK-89990-544
TAPE & REEL: PK-89990-484
 5. PRODUCT SPEC PS-87761-100 APPLIES
 6. IRREGULAR CIRCUIT CUTOFF WITHIN BREAKAWAY SECTION IS PERMISSIBLE. MEASUREMENT AT BOTH ENDS, FROM CUT END TO THE CENTRELINE OF THE HOUSING CORE HOLE OF THE FIRST PIN REMAINS AT 1.00±0.20MM. CUTTING AND CHIPPING OF THE MAIN BODY IS NOT ACCEPTABLE.
 7. THE ABOVE CKT 4 IS FOR ILLUSTRATION PURPOSE ONLY
 8. COPLANARITY IS TO BE MEASURED BY RESTING THE SOLDER TAIL ON A GAUGE SURFACE
 9. KAPTON TAPE LOCATION IS CENTERED ALONG THE PART AS SHOWN.
 10. RECOMMENDED PCB BOARD THICKNESS: 1.60±0.10mm

8	CKT SIZE	
0.10 Z	02-10	
0.15 Z	12-20	



RECOMMENDED PCB LAYOUT


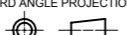


THIS DRAWING CONTAINS INFORMATION THAT IS PROPRIETARY TO MOLEX ELECTRONIC TECHNOLOGIES, LLC AND SHOULD NOT BE USED WITHOUT WRITTEN PERMISSION		CURRENT REV DESC: BRIGHT TIN PHASE OUT			
DIMENSION UNITS	SCALE				
mm	NTS			CUSTOM HEADER 2MM SINGLE ROW HDR IN SMT WITH PEG, BREAKAWAY	
GENERAL TOLERANCES (UNLESS SPECIFIED)				PRODUCT CUSTOMER DRAWING	
ANGULAR TOL	± 3.0°			DOCUMENT NUMBER	
4 PLACES	±	EC NO: 679909	2021/06/25	SD-87858-001	
3 PLACES	±	DRWN: AKUMAR19	2021/10/11	DOC TYPE	DOC PART
2 PLACES	± 0.2	CHK'D: MRAMAKRISHNA	2021/10/11	PSD	001
1 PLACE	±	APPR: MRAMAKRISHNA	2021/10/11	REVISION	
0 PLACES	±	INITIAL REVISION:		C6	
DRAFT WHERE APPLICABLE MUST REMAIN WITHIN DIMENSIONS		DRWN: KSEE	2003/12/14	MATERIAL NUMBER	
THIRD ANGLE PROJECTION		APPR: PTLIM	2003/12/15	CUSTOMER	
DRAWING		SERIES		SHEET NUMBER	
A3-SIZE		87858		1 OF 3	

CKT SIZE	DIMENSION		
	A	B	C
02	4.00	2.00	-
04	8.00	6.00	4.00
06	12.00	10.00	8.00
08	16.00	14.00	12.00
10	20.00	18.00	16.00
12	24.00	22.00	20.00
14	28.00	26.00	24.00
16	32.00	30.00	28.00
18	36.00	34.00	32.00
20	40.00	38.00	36.00

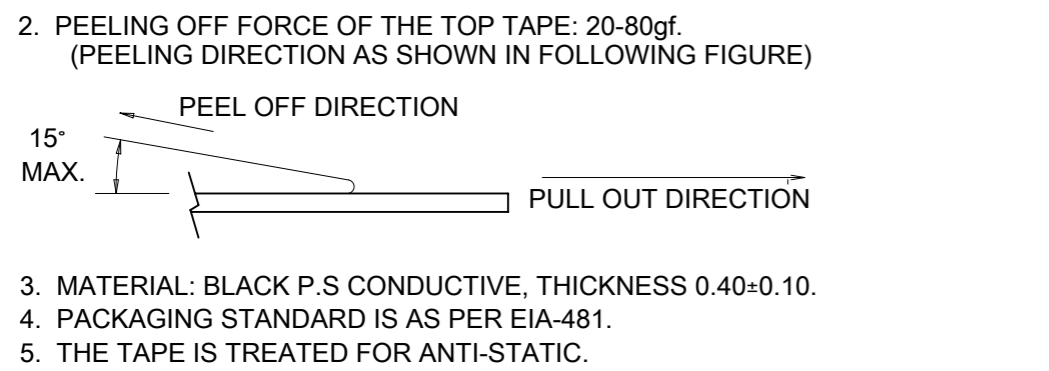
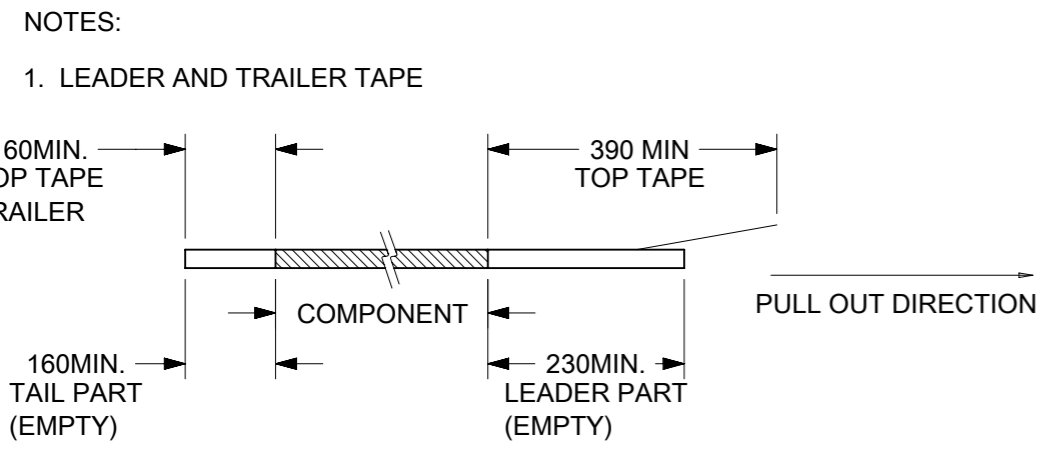
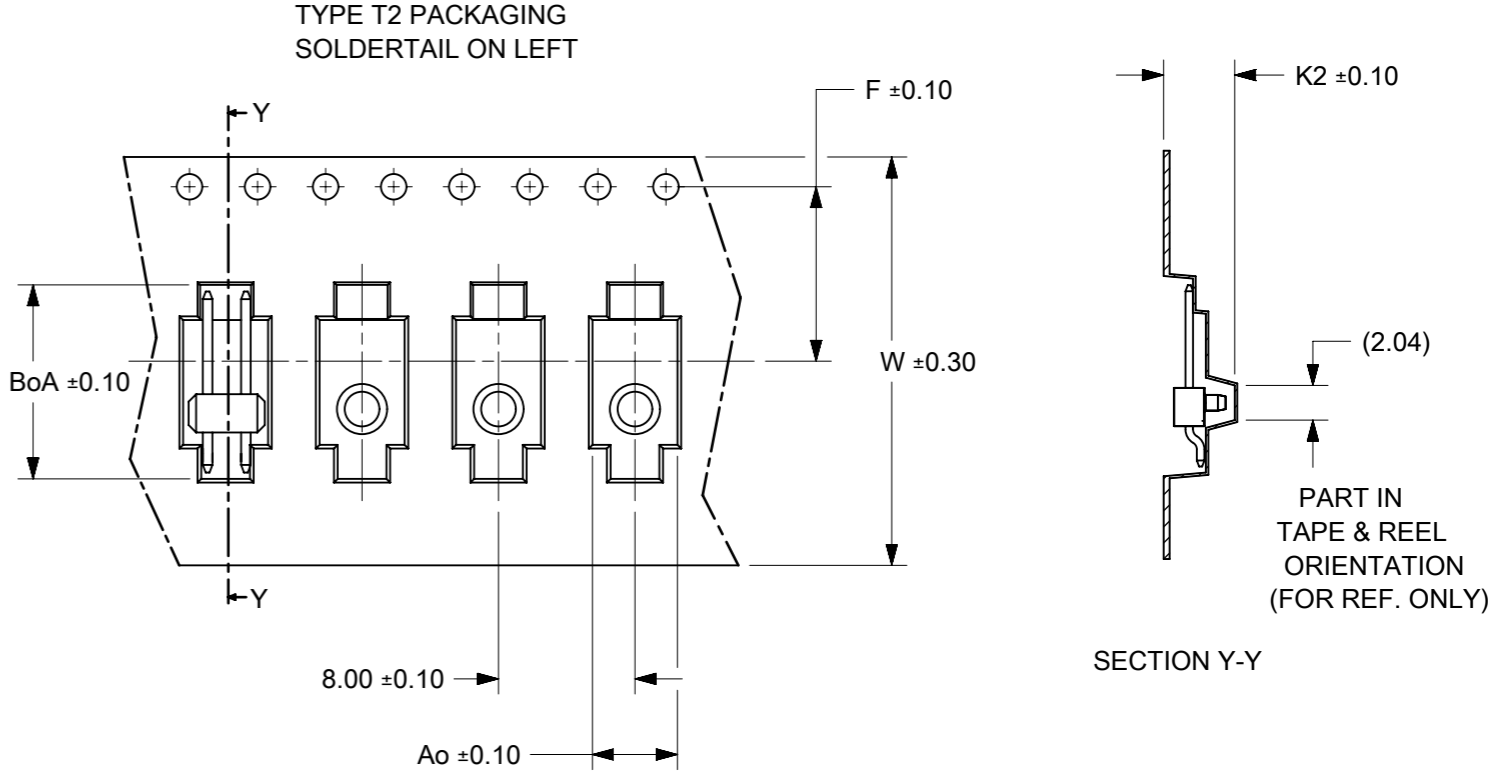
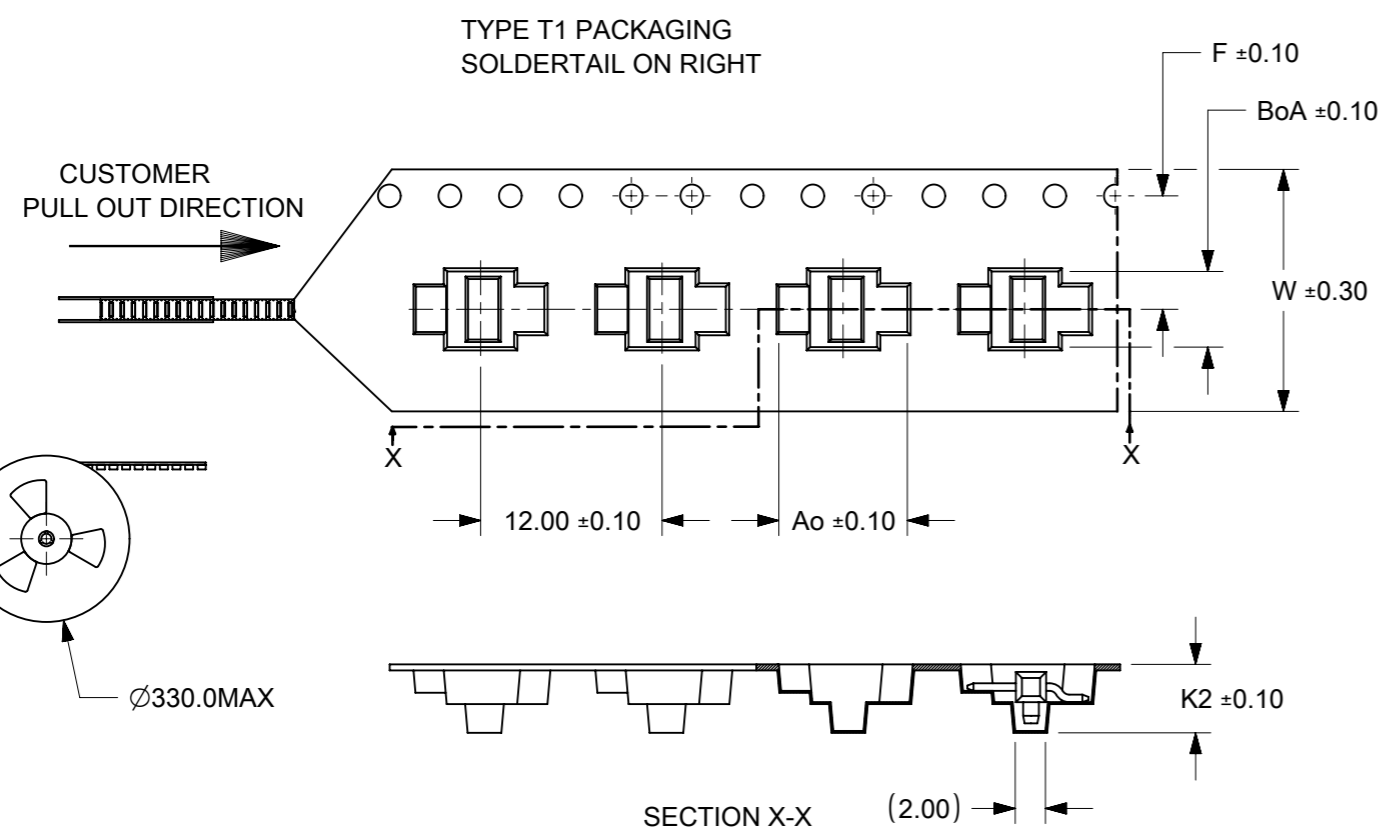
PART NO. IN TAPE & REEL PACKAGING	PART NO. IN TRAY PACKAGING	CKT SIZE	PEG	PLATE OPT.	VOID POSITION	KAPTON TAPE	DIMENSION				PACKAGING TYPE	
							F	MATING END	SOLDER TAIL	KAPTON TAPE		
								M	P	W		L
-	87858-0002	2	Y	1	---	N	8.00	3.20	2.80	-	-	-
87858-0250	-	2	N	1	---	Y	8.00	3.20	2.80	4.00	3.00	T1
87858-0003	87858-0001	2	Y	1	---	N	10.80	6.00	2.80	-	-	T2
87858-0005	87858-0006	2	N	1	---	N	10.80	6.00	2.80	-	-	T2
-	87858-0004	4	Y	1	---	N	8.00	3.20	2.80	-	-	-
87858-0450	-	4	N	1	---	Y	8.00	3.20	2.80	4.00	4.00	T1
87858-0460	-	4	N	1	---	Y	8.97	4.17	2.80	4.00	4.00	T1
87858-0461	-	4	N	1	---	Y	8.97	4.17	2.80	4.00	4.00	T1

Ⓒ6

THIS DRAWING CONTAINS INFORMATION THAT IS PROPRIETARY TO MOLEX ELECTRONIC TECHNOLOGIES, LLC AND SHOULD NOT BE USED WITHOUT WRITTEN PERMISSION											
DIMENSION UNITS	SCALE	CURRENT REV DESC: BRIGHT TIN PHASE OUT						 CUSTOM HEADER 2MM SINGLE ROW HDR IN SMT WITH PEG, BREAKAWAY			
mm	NTS										
GENERAL TOLERANCES (UNLESS SPECIFIED)		EC NO: 679909						PRODUCT CUSTOMER DRAWING DOCUMENT NUMBER: SD-87858-001 DOC TYPE: PSD DOC PART: 001 REVISION: C6			
ANGULAR TOL ± 3.0 °		DRWN: AKUMAR19 2021/06/25									
4 PLACES ±		CHK'D: MRAMAKRISHNA 2021/10/11									
3 PLACES ±		APPR: MRAMAKRISHNA 2021/10/11									
2 PLACES ± 0.2		INITIAL REVISION:									
1 PLACE ±		DRWN: KSEE 2003/12/14									
0 PLACES ±		APPR: PTLIM 2003/12/15									
DRAFT WHERE APPLICABLE MUST REMAIN WITHIN DIMENSIONS		THIRD ANGLE PROJECTION	DRAWING	SERIES	MATERIAL NUMBER	CUSTOMER	SHEET NUMBER				
			A3-SIZE	87858	SEE TABLE	GENERAL MARKET	2 OF 3				

DOCUMENT STATUS	P1	RELEASE DATE	2021/10/11	11:53:24
-----------------	----	--------------	------------	----------

PACKAGING TYPE	CKT	DIMENSION					PACKABLE QTY
		BoA	Ao	K2	F	W	
T1	2	5.00	8.50	4.40	7.50	16.00	1200
	4	9.00	8.50	4.40	11.50	16.00	1200
T2	2	11.40	5.00	4.20	11.50	24.00	2000



THIS DRAWING CONTAINS INFORMATION THAT IS PROPRIETARY TO MOLEX ELECTRONIC TECHNOLOGIES, LLC AND SHOULD NOT BE USED WITHOUT WRITTEN PERMISSION

DIMENSION UNITS	SCALE	CURRENT REV DESC: BRIGHT TIN PHASE OUT		molex			
mm	NTS						
GENERAL TOLERANCES (UNLESS SPECIFIED)				CUSTOM HEADER 2MM SINGLE ROW HDR IN SMT WITH PEG, BREAKAWAY			
ANGULAR TOL ± 3.0°				PRODUCT CUSTOMER DRAWING			
4 PLACES ±		EC NO: 679909		DOCUMENT NUMBER			
3 PLACES ±		DRWN: AKUMAR19	2021/06/25	SD-87858-001			
2 PLACES ±	0.2	CHK'D: MRAMAKRISHNA	2021/10/11	DOC TYPE	DOC PART	REVISION	
1 PLACE ±		APPR: MRAMAKRISHNA	2021/10/11	PSD	001	C6	
0 PLACES ±		INITIAL REVISION:		SHEET NUMBER			
		DRWN: KSEE	2003/12/14	3 OF 3			
		APPR: PTLIM	2003/12/15				
DRAFT WHERE APPLICABLE MUST REMAIN WITHIN DIMENSIONS	THIRD ANGLE PROJECTION	DRAWING	SERIES	MATERIAL NUMBER	CUSTOMER	SHEET NUMBER	
		A3-SIZE	87858	SEE TABLE	GENERAL MARKET	3 OF 3	