

### 83800 with plug-in body Top-mounted plunger Part number 83800101



- Thermoplastic case
- Compact dimensions

#### Part numbers

	Type	Housing	Features
<b>83 800 101</b>	Top-mounted plunger	Thermoplastic	Plug-in body

#### Specifications

Conformity to standards	NFC 20030 class I IEC 356.1 - EN 60204.1
Version	

#### Electrical characteristics

Assigned insulation voltage $U_i$ (V)	250
Thermal current I (A)	10
Assigned operating current (Ie)	5

#### Connections

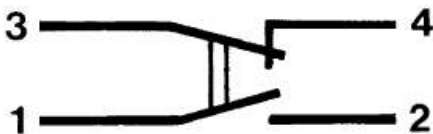
Cable	On connector : W1 screw terminals - max. wire cross-section 2.5 mm <sup>2</sup>
Connection	For No. 9 sealing gland, 15.2 Ø, 1.411 pitch
Approvals	UL/CSA please consult us

Minimum operating force (N)	10
Minimum total travel force (N)	22
Minimum operating travel (mm)	1,5
Differential travel (mm)	0,4
Maximum total travel (mm)	5
Mechanical life (millions of operations) mini.	10 <sup>7</sup>
Operating temperature (°C)	-10 → +70
Protection rating	IP65
Weight (g)	50

#### Accessories

Description	Code
Galvanized, passivated steel lever Thermoplastic roller Supplied with nut, washer and locating block loose	83 803 0

#### Principles



#### Function

Four-terminal double break two-way contact element (form Za). The contacts must be of the same polarity.

## Principles



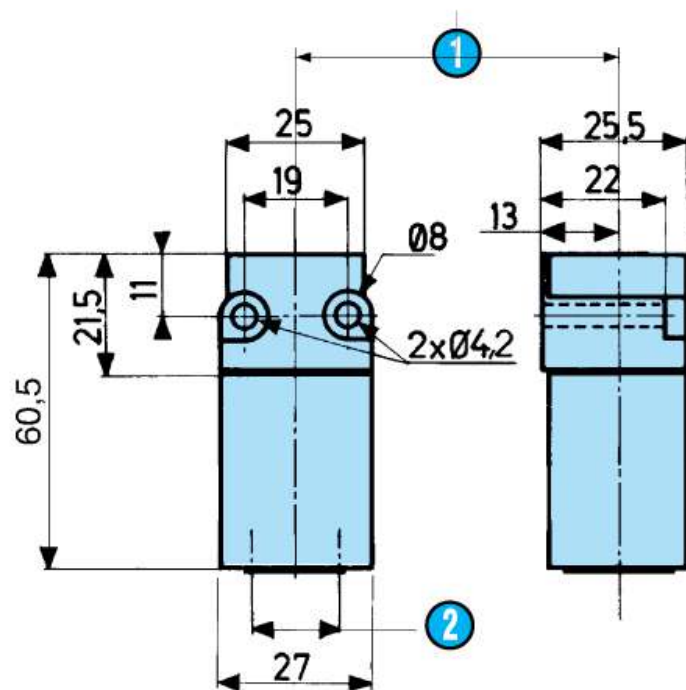
## Function

Four-terminal double break two-way contact element (form Za). The contacts must be of the same polarity.

## Dimensions (mm)

## Product

## Casing

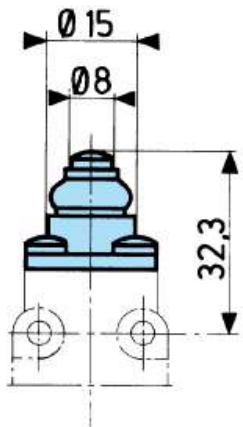


N°	Legend
①	Axis of head rotation
②	For No. 9 sealing gland

## Dimensions (mm)

## Product

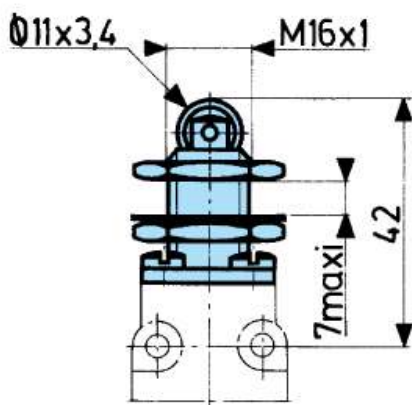
83 800 1



#### Dimensions (mm)

#### Product

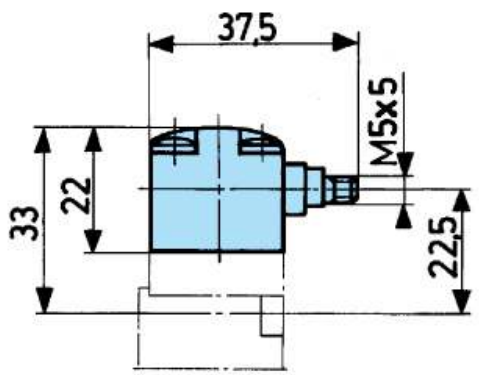
83 802



#### Dimensions (mm)

#### Product

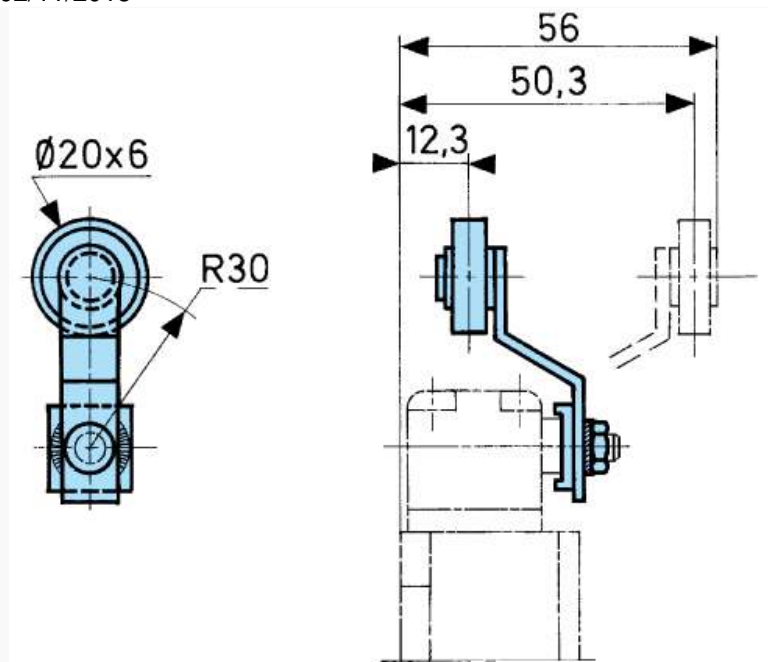
83 803



#### Dimensions (mm)

#### Actuators

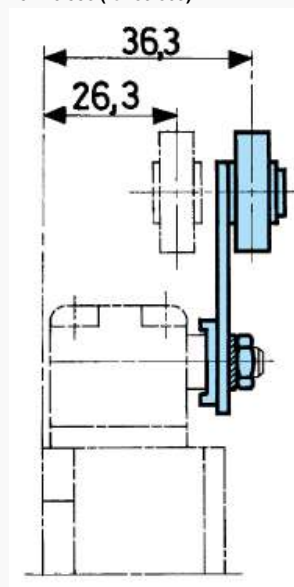
79 210 997 (for 83 803)



#### Dimensions (mm)

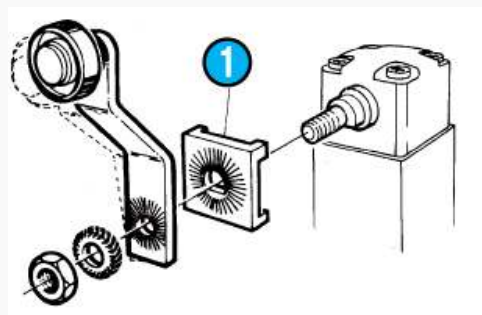
#### Actuators

79 210 998 (for 83 803)



#### Dimensions (mm)

#### Actuators

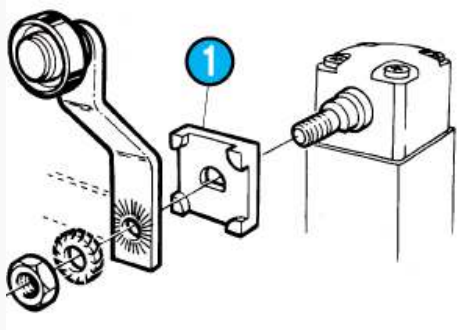


Lever settings or positions dictated by direction in which block 1 is fitted

N°	Legend
①	Block 1

Dimensions (mm)

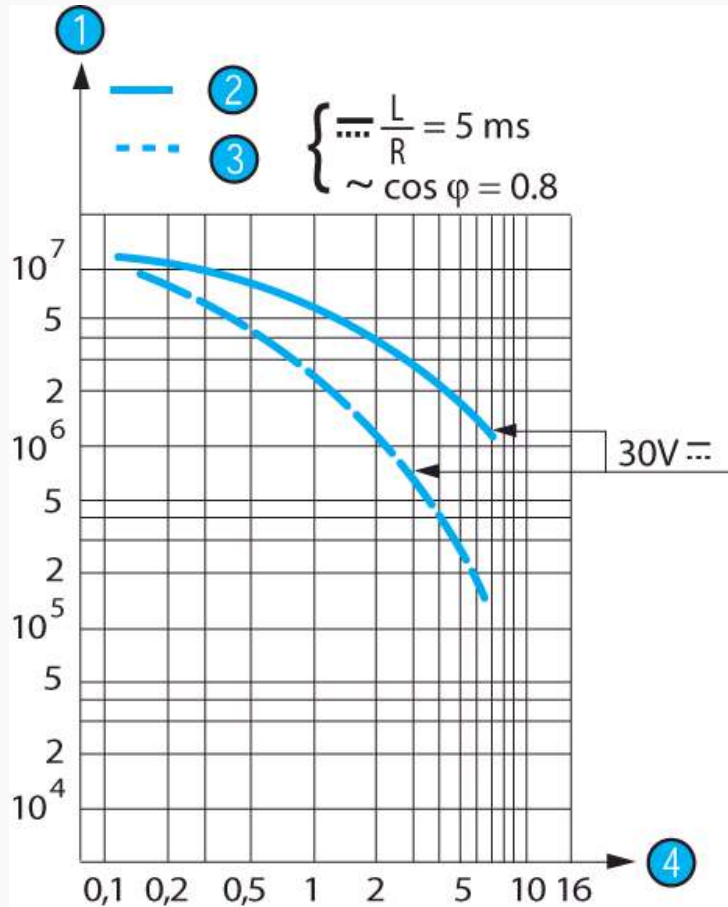
Actuators



Lever settings or positions dictated by direction in which block 1 is fitted

N°	Legend
①	Block 1

Curves



N° 2-3	Legend
①	Number of operations
②	Resistive circuit
③	Inductive circuit

**Other information****Accessories for 83 803**

Galvanized, passivated steel lever

Thermoplastic roller

Supplied with nut, washer and locating block loose