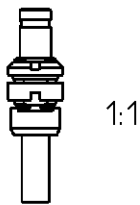
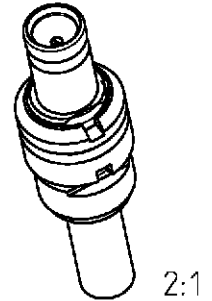
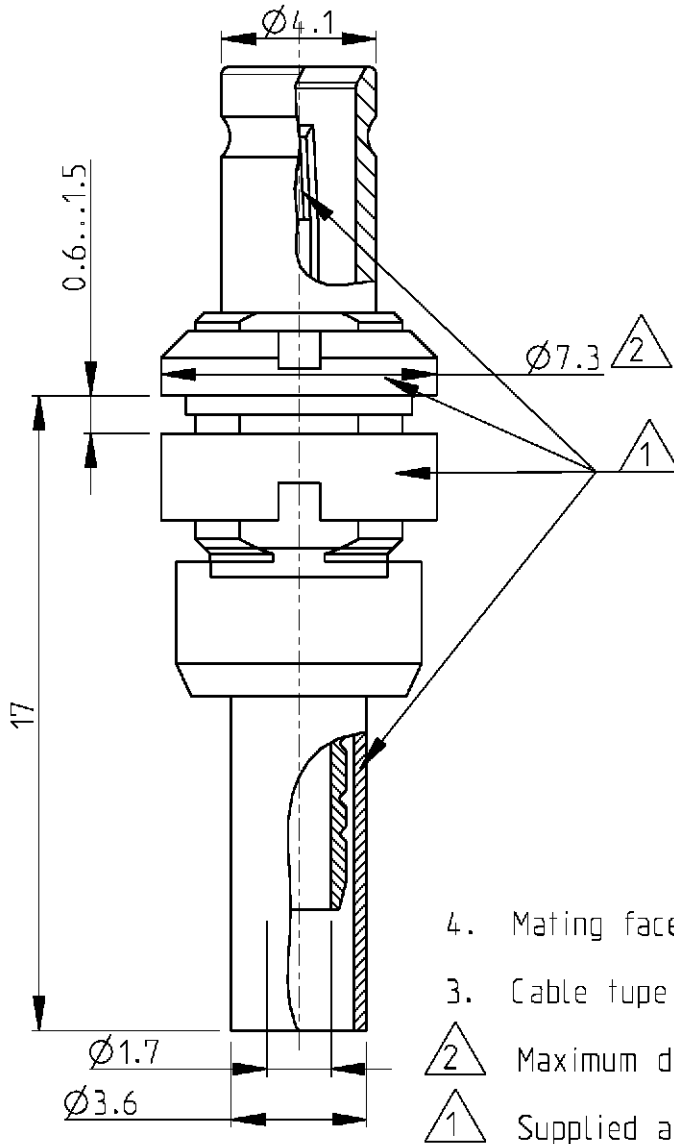


LOC	DIST	REVISIONS			
P	LTR	DESCRIPTION	DATE	DWN	APVD
GW	-	A	-	02APR2001	CM KM



V23600-B602-C3	4-1393670-4	Dielectric	PTFE	
		Outer Con.	Brass	1µm Au min in contact area
		Center Con.	Cu Be	1µm Au min in contact area
Old Nr	Tyco Nr	Description	Material	Plating

2000
RELEASED FOR PUBLICATION

THIS DRAWING IS UNPUBLISHED.
COPYRIGHT 2000 BY TYCO ELECTRONICS CORPORATION. ALL RIGHTS RESERVED.

DIMENSIONS:	
mm	
TOLERANCES UNLESS OTHERWISE SPECIFIED:	
0 PLC	±
1 PLC	±0.5
2 PLC	±0.13
3 PLC	±0.013
4 PLC	±0.0001
ANGLES	±

DWN	MOROBÉ	02APR2001
CHR	MATTHEEUWS	4APR2001
APVD	BOZZER	5APR2001
PRODUCT SPEC	108-71032	
APPLICATION SPEC	114-71009	
WEIGHT	-	

MATERIAL		FINISH	
-		-	
tyco Electronics		Tyco Electronics Oostkamp - Belgium	
NAME BULKHEAD JACK WITH CABLE CONNECTION 1.0/2.3 50 Ohm			
SIZE	CAGE CODE	DRAWING NO	RESTRICTED TO
A4	00779	©=4-1393670-4	-
SCALE		SHEET	OF
5/1		1	1
			REV
			A