

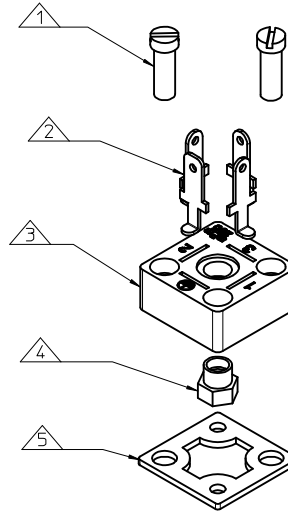
# B293000N2\*\*

SERIES \_\_\_\_\_  
 B29= FORM C MICRO  
 POLES \_\_\_\_\_  
 2= 2 POLE & 3= 3 POLE  
 CURVED BASE DIAMETER \_\_\_\_\_  
 000= FLAT BASE 040= Ø40, 045= Ø45, 050= Ø50,  
 060= Ø60, 080= Ø80, 100= Ø100, 160= Ø160.  
 MATERIAL AND HOUSING COLOUR \_\_\_\_\_  
 G= PA6 GREY, N= PA6 BLACK, W= PA6 BLACK V0  
 SCREW AND GASKET \_\_\_\_\_  
 2= NBR FLAT GASKET & SCREWS  
 4= SILICON FLAT GASKET & SCREWS  
 9= NO GASKET, NO SCREW  
 NON STANDARD COMPONENTS \_\_\_\_\_  
 5H= DOUBLE BARBED TERMINAL

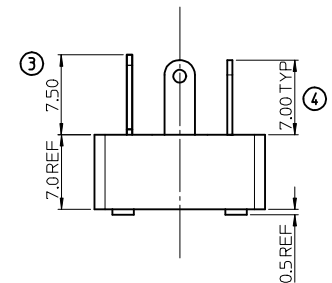
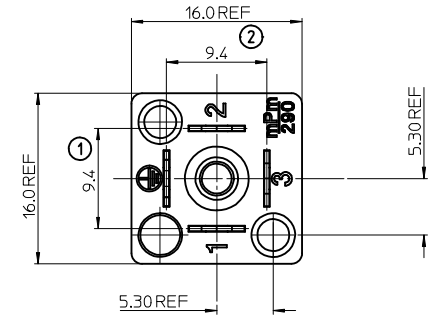
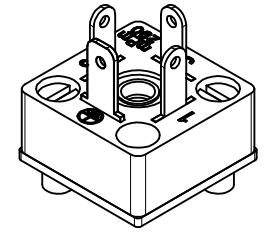
### NOTES

- PLEASE SEE TABLE FOR CURRENTLY CONFIGURED PART NUMBERS. FOR SPECIFIC PART NUMBERS PLEASE CONTACT SALES OR CONSULT THE INTELLIGENT PART NUMBERS IN THE TABLE ATTACHED.
- FOR PACKAGING SEE PACKAGING SPEC PK-121013-B29
- PRODUCT SPEC: SEE PS-121201-001
- TERMINALS BENT AFTER INSERTION FOR BEND ANGLE SEE TABLE
- 3P+T BASE SHOWN IN DRAWING

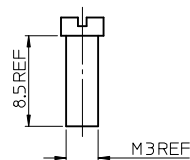
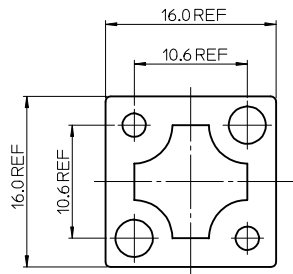
LAST INSPECTION NUMBER 4



ITEM	DESCRIPTION
1	SCREWS
2	TERMINALS
3	HOUSING
4	INSERT
5	GASKET



PART No.	mPm PART No.	DESCRIPTION	TERMINAL BEND ANGLE (°)
1210120102	B292000N2	TYPE C MICRO 2P BLACK, NBR FLAT GASKET & SCREWS	90
1210120104	B292000W4	TYPE C MICRO 2P BLACK V0, SILICON FLAT GASKET & SCREWS	90
1210120105	B292020N2	TYPE C MICRO 2P BLACK, Ø20 NBR FLAT GASKET & SCREWS	90
1210120106	B293000G2	TYPE C MICRO 3P GREY, NBR FLAT GASKET & SCREWS	90
1210120107	B293000N2	TYPE C MICRO 3P BLACK, NBR FLAT GASKET & SCREWS	90
1210120108	B293000N4	TYPE C MICRO 3P BLACK, SILICON FLAT GASKET & SCREWS	90
1210120109	B293000N9	TYPE C MICRO 3P BLACK, NO GASKET, NO SCREW	90
1210120133	B292000N4	TYPE C MICRO 2P BLACK, SILICON FLAT GASKET & SCREWS	90
1210130093	B292000N95H	TYPE C MICRO 2P BLACK, NO GASKET, NO SCREW, BARBED TERMINALS	90
1210130088	B292000N20Z17	TYPE C MICRO 2P BLACK, NBR FLAT GASKET & SCREWS	55



<b>UPDATED DESIGN</b> EC NO: IFC2015-1844 DRWNG:DMAHER 2015/03/12 CHKD:DMAHER 2015/04/15 APPR:STGRJEFIN 2015/08/11	QUALITY SYMBOLS ▽=0 ▽=0	GENERAL TOLERANCES (UNLESS SPECIFIED)		DIMENSION STYLE <b>MM ONLY</b>		SCALE <b>3:1</b>	DESIGN UNITS <b>METRIC</b>	THIRD ANGLE PROJECTION
		4 PLACES ± --- ± --- 3 PLACES ± --- ± --- 2 PLACES ± 0.10 ± --- 1 PLACE ± 0.20 ± --- ANGULAR ± 2 °	mm INCH ± --- ± --- ± --- ± --- ± --- ± ---	DRAWN BY JOCONNOR	DATE 2011/06/23	TITLE <b>B29 SERIES BASE</b>		
D REV	DESCRIPTION	DRAFT WHERE APPLICABLE MUST REMAIN WITHIN DIMENSIONS		MATERIAL NO. <b>SEE CHART</b>		MOLEX INCORPORATED		SHEET NO. 1 OF 1
		APPROVED BY EFOLAN		DATE 2011/07/06		DOCUMENT NO. <b>SD-121012-007</b>		1 OF 1