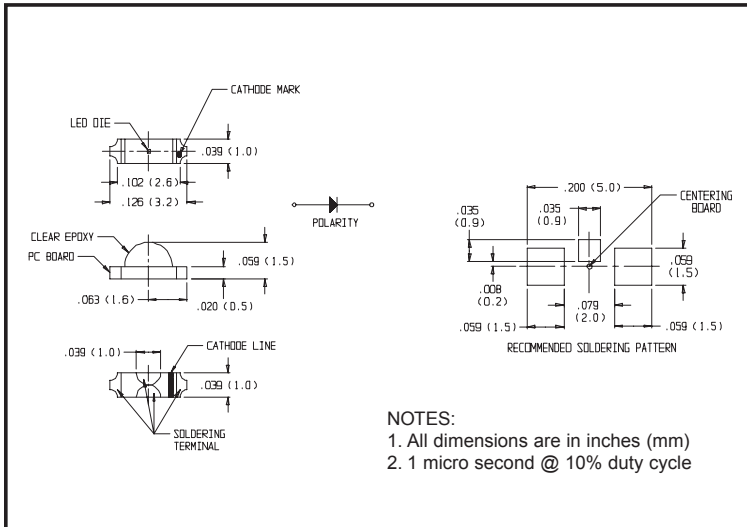


CMDA7 Series HIGH BRIGHTNESS Right Angle Surface Mount LED

Description and Features



Features

- High brightness
- Small size
- Industry standard Footprint
- Non-diffused optics
- Right angle emitting
- Compatible with IR solder profiles
- Ideal for use with Light Pipes
- Available in 8 mm tape on 7" diameter reel
- Packaged 3,000 pieces per reel
- RoHS Compliant

Applications

- LCD backlighting
- Push button backlighting
- Front panel indicator
- Symbol indicator
- Microdisplays
- Small message panel signage

CAUTION: CMDA6AG is Class 1 ESD sensitive per MIL-STD-1686. Please observe appropriate precautions during handling and processing.

Electro-Optical Characteristics and Ratings

Part Number	Output Color	Diffusion	Package Color	Test Current (mA)	Forward Voltage Typ. (V)	Forward Voltage Max. Typ. (V)	Luminous Intensity Min. (mcd)	Luminous Intensity Typ. (mcd)	Peak Wavelength (nm)	Viewing Angle (Degrees)
CMDA7AG7A1S	Green	Non-Diffused	Clear	20	3.4	3.9	40	150	520	130
CMDA7DY7A1S	Amber	Non-Diffused	Clear	20	1.9	2.4	25	95	595	130
CMDA7AR7A1S	Red	Non-Diffused	Clear	20	1.9	2.4	25	95	637	130

Absolute Maximum Ratings to = 25°C

Part Number	Power Dissipation (mW)	Operating Temperature (°C)	Storage Temperature (°C)	Peak Forward Current Max. (See note 2) (mA)	Reverse Voltage (IR = 100 mA) (V)	Lead Solder Time at 230°C (Seconds)
AG	98	-30 to +85	-40 to +85	100	5	10
DY	75	-30 to +85	-40 to +85	100	5	10
AR	75	-30 to +85	-40 to +85	100	5	10