

1. 製品名称／PRODUCT NAME : 1.0 FPC CONN. ZIF SMT ST. EMBOSSED TAPE PACKAGING

製品番号／PART NUMBER : 5 2 6 1 0 - * * 3 3

5 2 6 1 0 - * * 3 4

5 2 6 1 0 - * * 5 0

5 2 6 1 0 - * * 7 1

5 2 6 1 0 - * * 7 2

5 2 6 1 0 - * * 7 5

(* * は極数を示す)

(* * IS CIRCUITS SIZE)

2. 標準梱包数／STANDARD PACKAGING QUANTITY

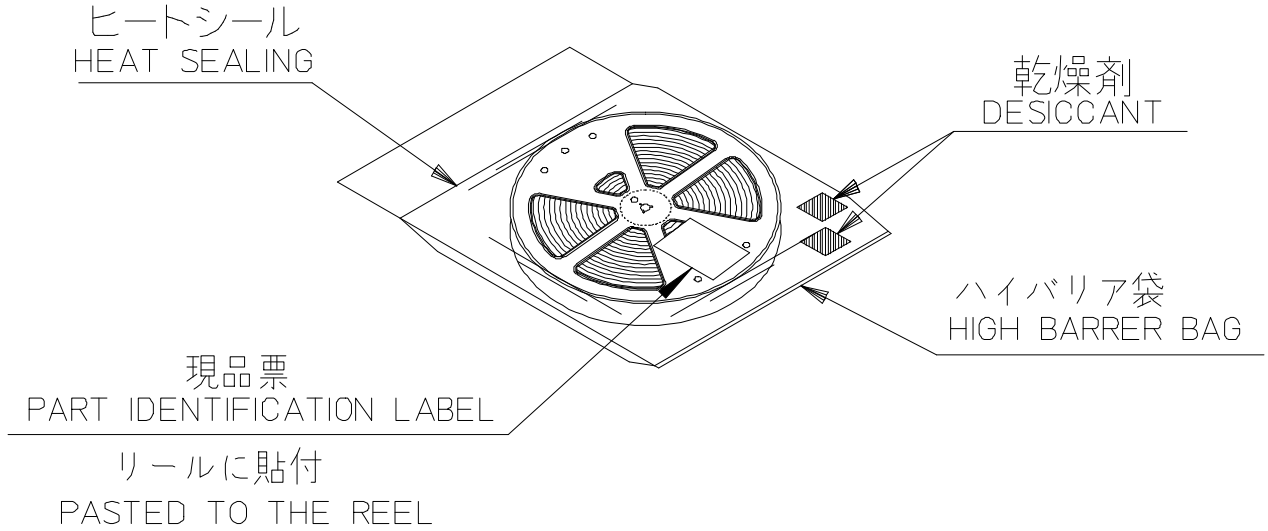
極数 CKT. SIZE	キャリア テープ幅 (mm) CARRIER TAPE WIDTH (mm)	1 リール中の製品数 QTY. PER REEL	外装カートン SHIPPING CARTON	
			梱包リール数 NUMBER OF REELS	製品数 QUANTITY
5	24	1,000	6	6,000
6				
7				
8				
9				
10				
11	32	1,000	4	4,000
12				
13				
14				
15				

REV.	E																							
SHEET	1~3																							
REVISE ON PC ONLY										TITLE:														
E	REVISED J2013-0957 2013/03/02 T.NAKAGAWA					5 2 6 1 0 梱包仕様書 SALES PACKAGING SPEC. FOR 52610																		
	THIS DOCUMENT CONTAINS INFORMATION THAT IS PROPRIETARY TO MOLEX INC. AND SHOULD NOT BE USED WITHOUT WRITTEN PERMISSION																							
REV.	DESCRIPTION																							
DESIGN CONTROL J					STATUS					WRITTEN BY: Y.TOKUZONO			CHECKED BY: T.HARUYAMA			APPROVED BY: N.UKITA			DATE: YR/MO/DAY 2009/06/30					
DOCUMENT NUMBER SPK-52610-003															FILE NAME SPK52610003.doc					SHEET 1 OF 3				

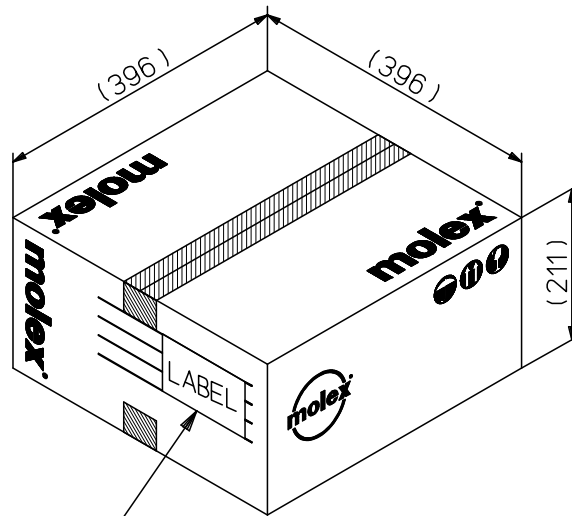
極数 CKT. SIZE	キャリア テープ幅 (mm) CARRIER TAPE WIDTH (mm)	1 リール中の製品数 QTY. PER REEL	外装カートン SHIPPING CARTON	
			梱包リール数 NUMBER OF REELS	製品数 QUANTITY
16	44	1,000	3	3,000
17				
18				
19				
20				
21				
22				
23				
24				
25				
26				
28	56	1,000	3	3,000
30				

REVISE ON PC ONLY		TITLE:	
E	SEE SHEET 1 OF 3	5 2 6 1 0 梱包仕様書 SALES PACKAGING SPEC. FOR 52610	
		THIS DOCUMENT CONTAINS INFORMATION THAT IS PROPRIETARY TO MOLEX INC. AND SHOULD NOT BE USED WITHOUT WRITTEN PERMISSION	
REV.	DESCRIPTION	DOCUMENT NUMBER	FILE NAME
		SPK-52610-003	SPK52610003.doc
			SHEET 2 OF 3

3. ハイバリア袋への梱包方法及びラベル貼付位置/PACKAGING METHOD FOR HIGH BARRIER BAG AND LABEL POSITION.



4. カートン外形参考寸法/CARTON OUTER DIMENSIONS (REFERENCE PURPOSE ONLY)



カートンラベル
CARTON LABEL
(製品型番, 数量, ロットNO. 表示)
INDICATION OF PART No., QUANTITY, LOT No.

標準カートン
STANDARD CARTON

REVISE ON PC ONLY		TITLE:	
E	SEE SHEET 1 OF 3	5 2 6 1 0 梱包仕様書 SALES PACKAGING SPEC. FOR 52610	
REV.	DESCRIPTION	THIS DOCUMENT CONTAINS INFORMATION THAT IS PROPRIETARY TO MOLEX INC. AND SHOULD NOT BE USED WITHOUT WRITTEN PERMISSION	
DOCUMENT NUMBER SPK-52610-003		FILE NAME SPK52610003.doc	SHEET 3 OF 3