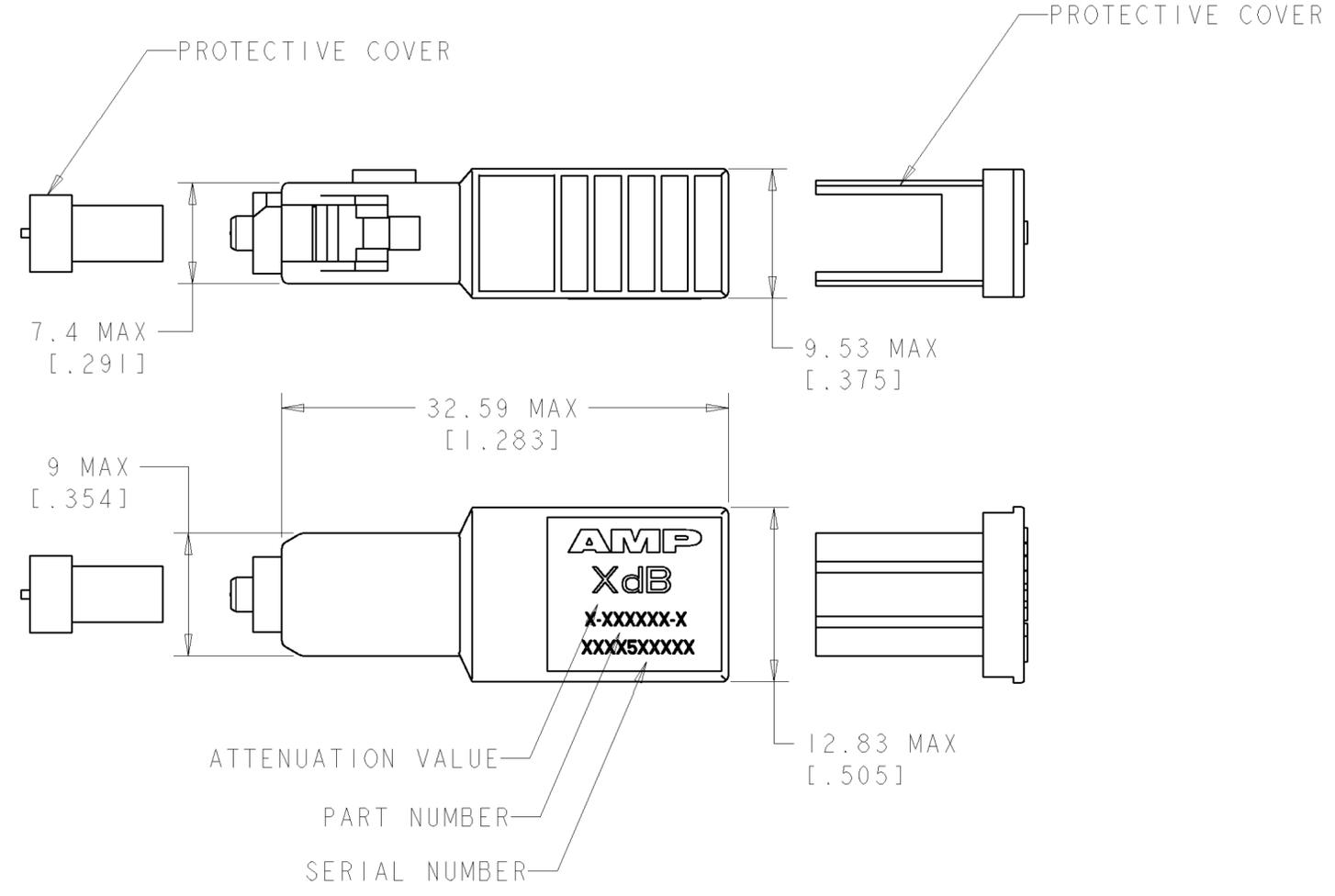
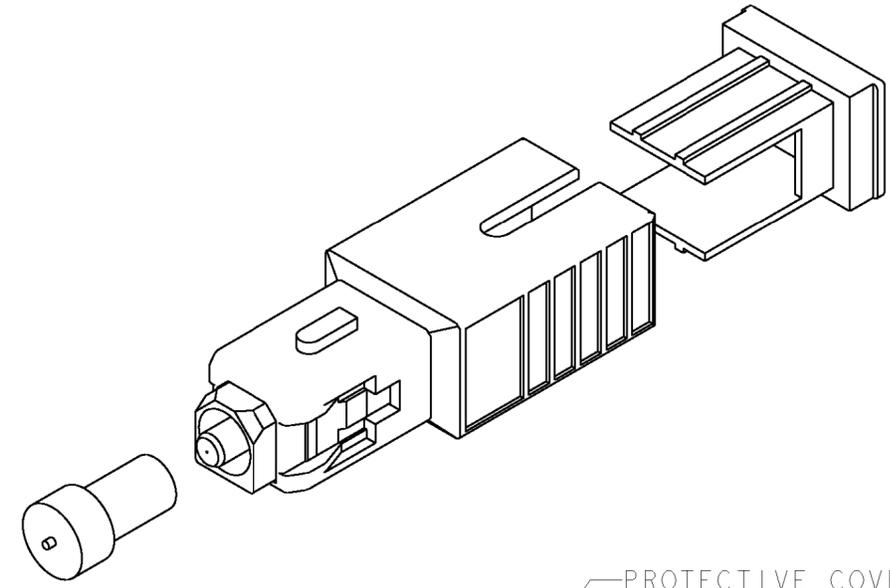


THIS DRAWING IS UNPUBLISHED. RELEASED FOR PUBLICATION 20  
 © COPYRIGHT 20 BY TYCO ELECTRONICS CORPORATION. ALL RIGHTS RESERVED.

LOC	DIST	REVISIONS					
		P	LTR	DESCRIPTION	DATE	DWN	APVD
EA	16	J		REV PER ECN 0A10-0110-01	02-15-01	JAB	CB
		K		REV PER ECN 0A10-0252-01	28NOV2001	JAB	CB



NOMINAL ATTENUATION VALUE (dB)	PART NUMBER
1	209943-1
2	209943-2
3	209943-3
4	209943-4
5	209943-5
6	209943-6
7	209943-7
8	209943-8
9	209943-9
10	1-209943-0
11	1-209943-1
12	1-209943-2
13	1-209943-3
14	1-209943-4
15	1-209943-5
16	1-209943-6
17	1-209943-7
18	1-209943-8
19	1-209943-9
20	2-209943-0
21	2-209943-1
22	2-209943-2
23	2-209943-3
24	2-209943-4
25	2-209943-5
30	3-209943-0

PERFORMANCE REQUIREMENTS:  
 OPERATING WAVELENGTH : 1310/1550 ±25nm  
 REFLECTANCE : ≤ -55dB  
 OPERATING TEMPERATURE : -40C TO +75C  
 ATTENUATION TOLERANCE, AMBIENT :  
 FOR ATTENUATION ≥ 5dB : ± 10% OF NOMINAL ATTENUATION VALUE  
 FOR ATTENUATION < 5dB : ± 0.50dB  
 MEASURED WITH REFERENCE QUALITY LAUNCH LEADS

<small>THIS DRAWING IS A CONTROLLED DOCUMENT FOR TYCO ELECTRONICS CORPORATION          IT IS SUBJECT TO CHANGE AND THE CONTROLLING ENGINEERING ORGANIZATION          SHOULD BE CONTACTED FOR THE LATEST REVISION.</small>		DWN D. ERDMAN 7-20-00 CHK S. MILLER 7-20-00 APVD S. RUCHTER 7-20-00	<b>AMP</b> Tyco Electronics Harrisburg, PA 17105-3608
DIMENSIONS: mm [INCHES]	TOLERANCES UNLESS OTHERWISE SPECIFIED: 0 PLC ± 1 PLC ± 2 PLC ± 3 PLC ± 4 PLC ± ANGLES ± FINISH -	NAME ATTENUATOR, OPTICAL BUILD-OUT SC/UPC SM, DUAL WINDOW PRODUCT SPEC - APPLICATION SPEC - WEIGHT -	SIZE A2 CAGE CODE 00779 DRAWING NO. 209943 RESTRICTED TO - SCALE 4:1 SHEET 1 OF 1 REV K
MATERIAL -		CUSTOMER DRAWING	