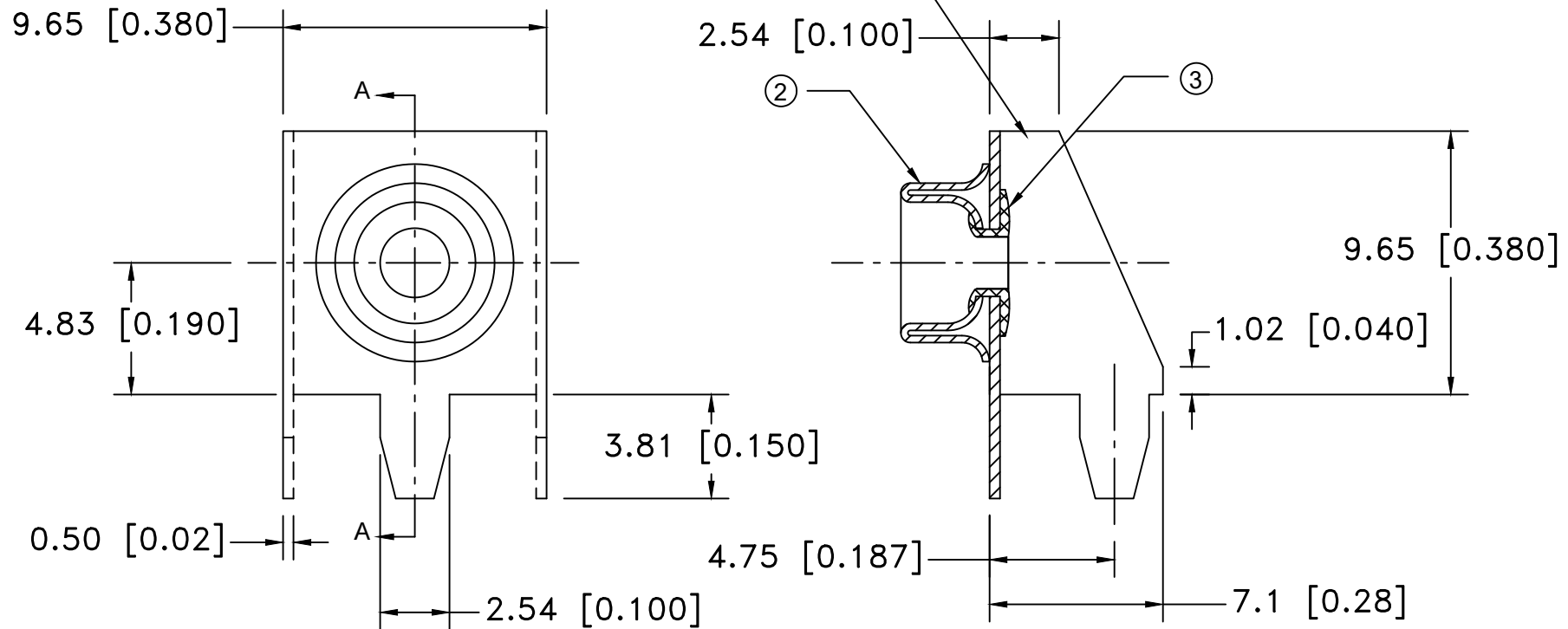



Date	SYM	REVISION RECORD	AUTH	DR.	CK.
5/26/07	A	ADDED "ROHS COMPLIANT"	T.B.	B.S.	
6/14/13	B	CHANGED PCB LAYOUT TO SLOT	T.B.	B.S.	
8/12/16	C	DELETED DIM. 1.58 ADDED DIM. 3.81	T.B.	B.S.	
12/09/16	D	DIM. 4.75 WAS 4.57 DIM. 7.1 WAS 6.35	T.B.	B.S.	
05/04/18	E	DIM. 0.50 was 0.38 Tolerance 0.3 was 0.5	T.B.	B.S.	

PCB LAYOUT



N0.	PART NO.	PART NAME	MATERIAL	QTY.
1		FRAME	STEEL-TIN PLTD	1
2	BSM	MALE SNAP	BRASS, NICKLE PLATED	1
3	BSR	RIVET	BRASS NICKLE PLATED	1

<p>Tolerance (Except as noted)</p> <p>decimal ±.3 (.012)</p> <p>Fractional ± .8 (.030)</p> <p>Angular ± 3°</p>	 Memory Protection Devices, Inc 200 Broad Hollow Road, Farmingdale, New York 11735		
	<p>Title 9 VOLT MALE PRINTED CIRCUIT SNAP-ONS</p>		<p>Scale Drawn By B.S.</p>
	<p>Date 05/04/18</p>		<p>Approved By T.B.</p>
	<p>Drawing Number BSPCM</p>		

ROHS 2 COMPLIANT