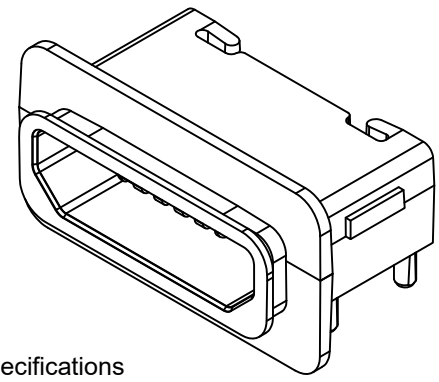


Recommended PCB Layout
 As viewed from component side Tolerance: ±0.03mm
 Recommended PCB Thickness: 0.60mm

▨ Solder Area □ Component Outline



Specifications

Material

Insulator: High Temp. Plastic UL 94V-0, Black
 Contact: Copper Alloy
 Shell (including pegs): Stainless Steel

Plating

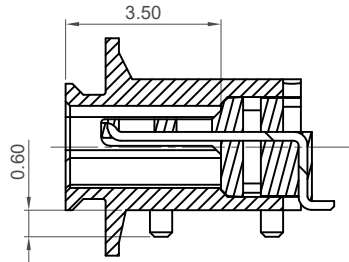
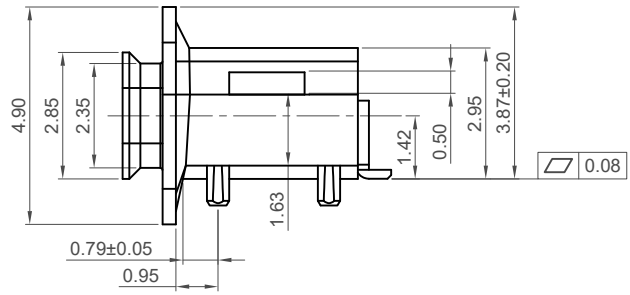
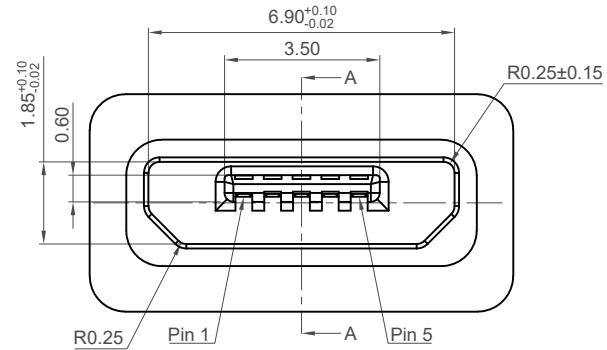
Contact
 Contact Area: 30µ" Gold
 Solder Tails: 75µ"-150µ" Matte Tin
 Under Plating: 50µ" Min Nickel
 Shell: 50µ"-80µ" Nickel over all

Electrical

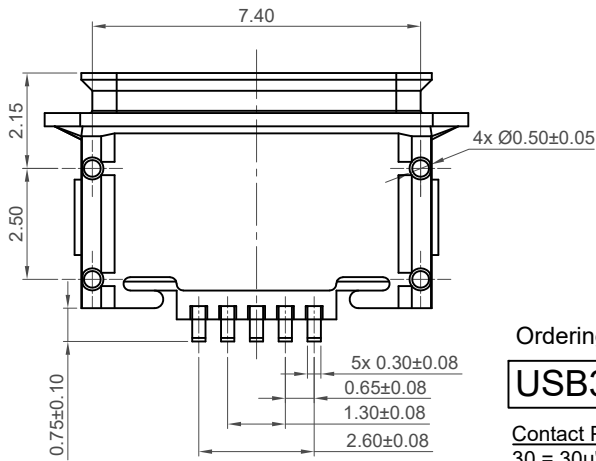
Current Rating: Signal (Pins 2,3,4): 1.0A
 Power (Pins 1,5): 1.8A
 Voltage Rating: 30V AC
 Contact Resistance: 30mΩ max.
 Dielectric Withstanding Voltage: 100V AC
 Insulation Resistance 1000MΩ min

Mechanical & Environmental

Operating Temperature: -30°C to +85°C
 Mating Force: 35N max.
 Unmated Force: 8N min.
 Durability: 10,000 cycles
 Ingress Protection Rating: IP67



Section A-A



Ordering Grid

USB3505 - **30** - **A** Request Samples and Quotation

Contact Plating
 30 = 30µ" Gold

Packing Options
 A = Tape & Reel
 (1,000 per reel)

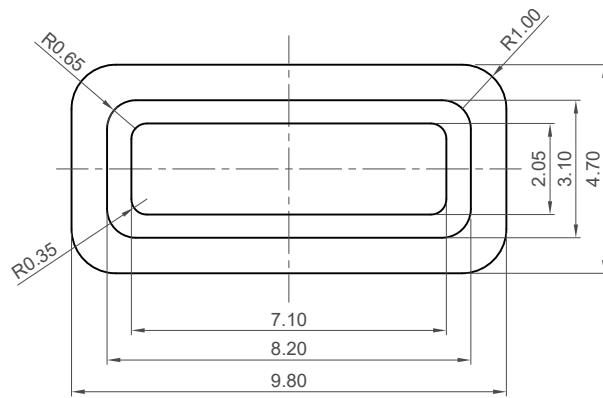
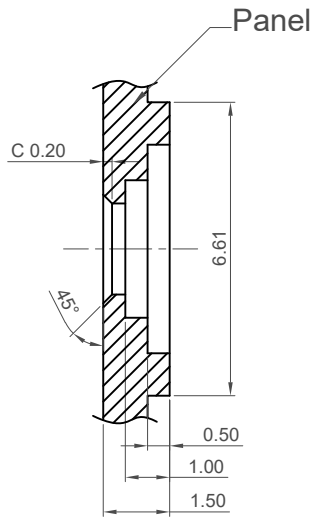
Part Number		Product Description	
USB3505		Micro USB Type B Receptacle, Top-Mount, IP67	
Drawing Date		6th September 2019	
By	CC	Tolerances (Except as Noted)	Units:
Detail	USB3505 B PCN	Length X. ± 0.50	Metric (mm)
Revision	B2	B PCN X.X ± 0.30	± 1°
Date	22/06/22	X.XX ± 0.20	3rd Angle Projection
		X.XXX ± 0.10	



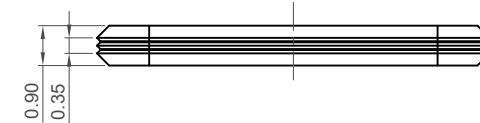
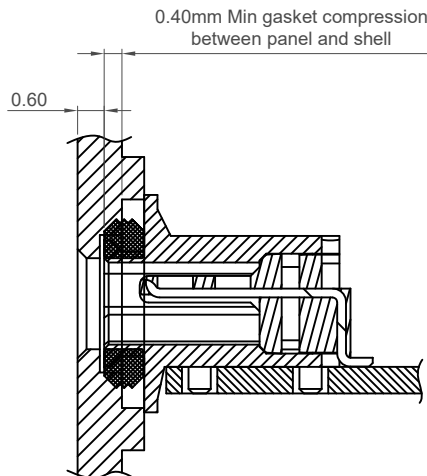
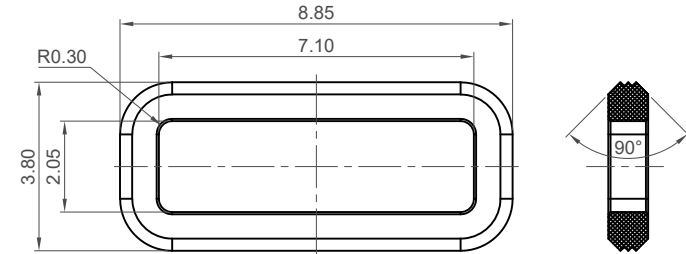
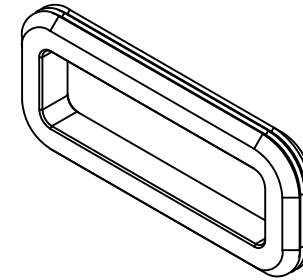
This drawing is confidential and copyright of Global Connector Technology, Ltd (GCT). This drawing must not be copied or disclosed without written consent. E & OE



Not to Scale	Drawn By CC	Sheet No. 1/4
--------------	----------------	------------------



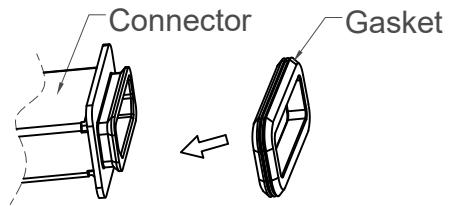
Recommended Panel Spec
Tolerance: $\pm 0.05\text{mm}$



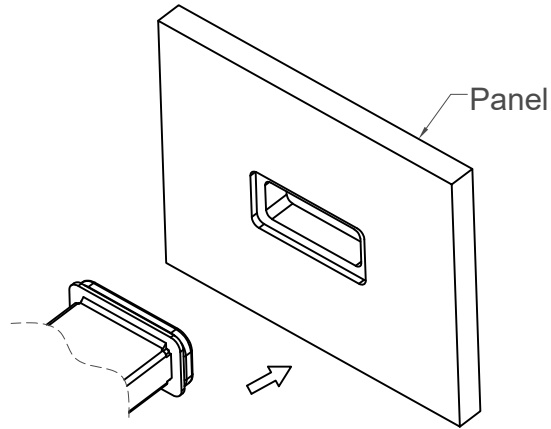
Recommended Waterproof Gasket Spec
Gasket Part No.: USBTJ-02
(Gasket must be ordered separately)
(See separate datasheet for specification)

(Suggest compression 40-50% of gasket thickness)

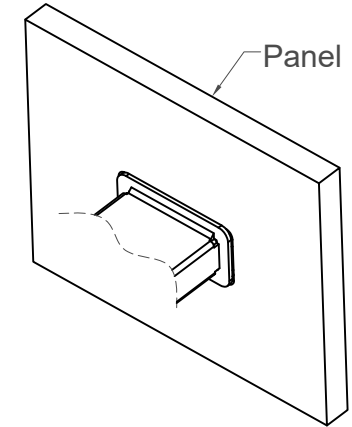
Part Number		Product Description		GCT www.gct.co
USB3505		Micro USB Type B Receptacle, Top-Mount, IP67		
Drawing Date		6th September 2019		
By	CC	Tolerances (Except as Noted)	Units:	 This drawing is confidential and copyright of Global Connector Technology, Ltd (GCT). This drawing must not be copied or disclosed without written consent. E & OE
Detail	USB3505 B PCN	Length	Metric (mm)	
Revision	B2	Angle	$\pm 1^\circ$	
Date	22/06/22	X. ± 0.50 X.X ± 0.30 X.XX ± 0.20 X.XXX ± 0.10		



Step 1







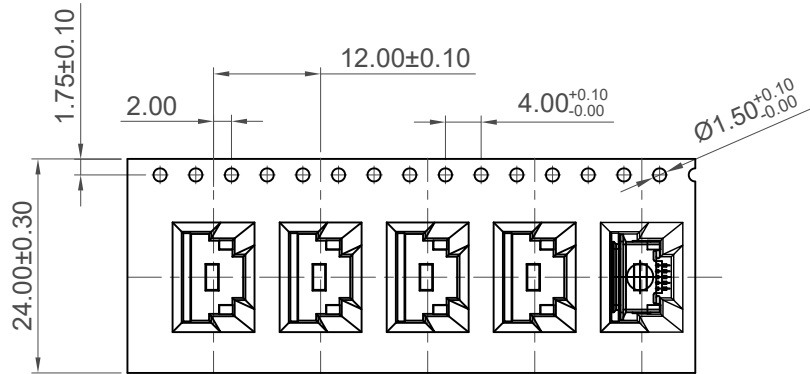
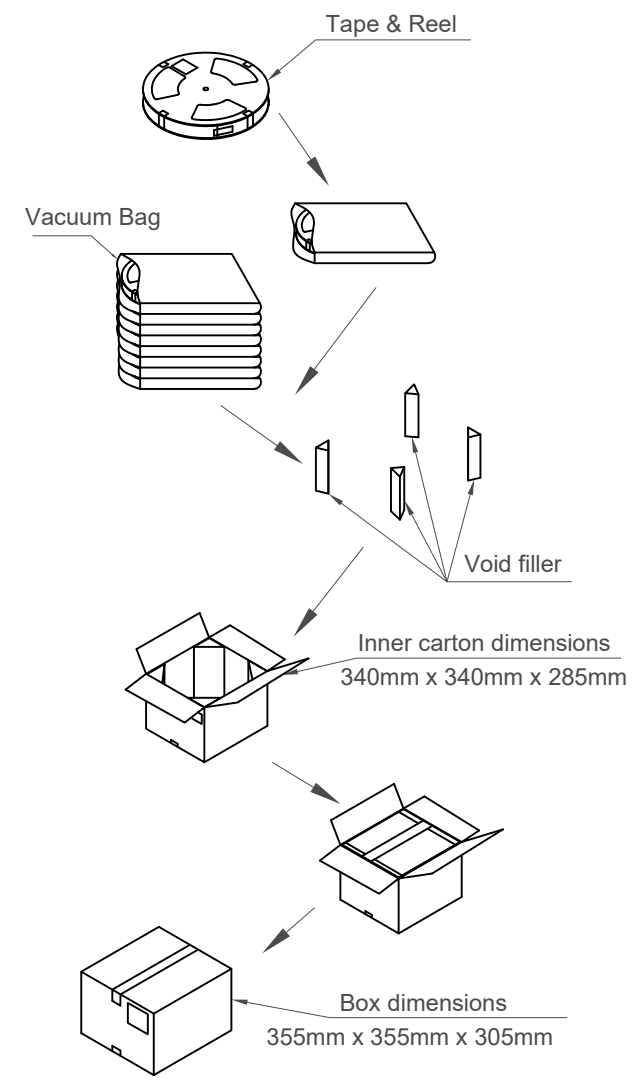
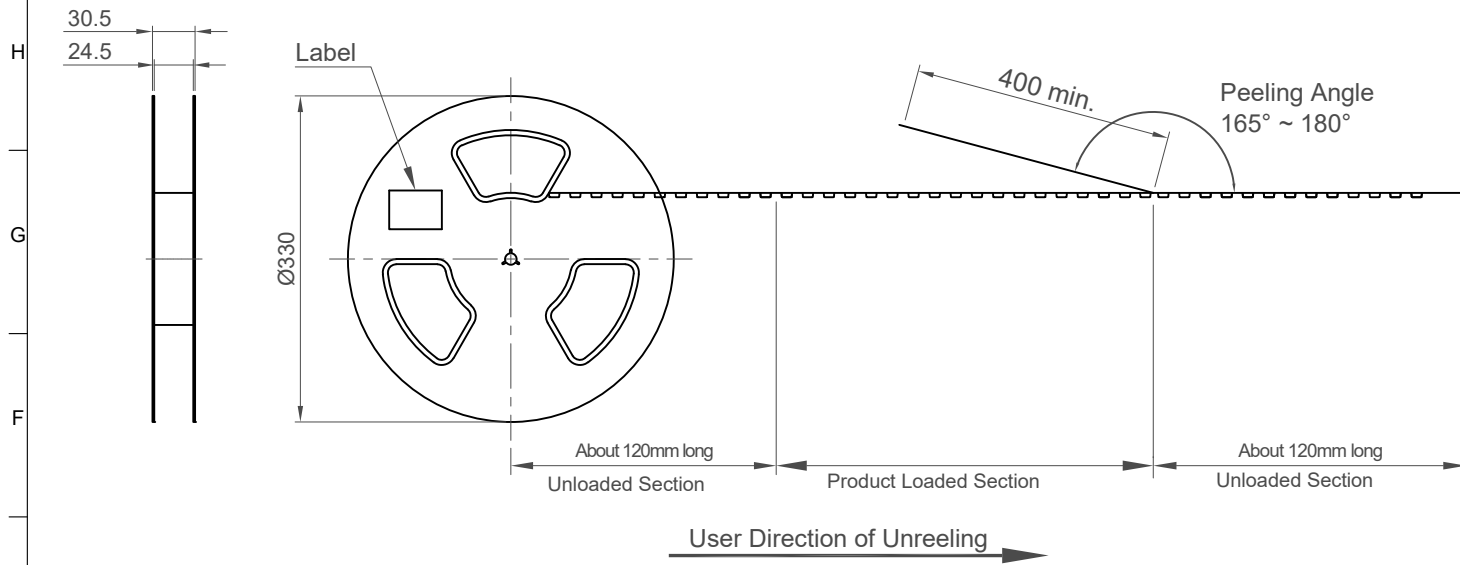
Step 2



Step 3

Assembly instruction for Gasket set after Reflow
Available for Micro USB Waterproof Series

Part Number		Product Description		 www.gct.co
USB3505		Micro USB Type B Receptacle, Top-Mount, IP67		
Drawing Date				
6th September 2019				
By	CC	Tolerances (Except as Noted)	Units: Metric (mm)	  This drawing is confidential and copyright of Global Connector Technology, Ltd (GCT). This drawing must not be copied or disclosed without written consent. E & OE
Detail	USB3505 B PCN			
Revision	B2	 3rd Angle Projection		
Date	22/06/22			
Not to Scale	Drawn By CC	Sheet No. 3/4		



Pcs / Reel	Reels / Carton	Total Quantity
1000	9	9000

Notes:
Peeling off force of top tape: 0.1-1.3N (Peeling direction as shown)

Materials:
Carrier Tape: Polystyrene (PS)
Top Tape: PE
Reel Tape: Polystyrene (PS)
Bag: PE

Part Number USB3505		Product Description Micro USB Type B Receptacle, Top-Mount, IP67	
Drawing Date 6th September 2019			
By CC	Tolerances (Except as Noted) Length	Units: Metric (mm)	 This drawing is confidential and copyright of Global Connector Technology, Ltd (GCT). This drawing must not be copied or disclosed without written consent. E & OE
Detail USB3505 B PCN	Angle	3rd Angle Projection	
Revision B2			
Date 22/06/22			

Not to Scale Drawn By CC Sheet No. 4/4