

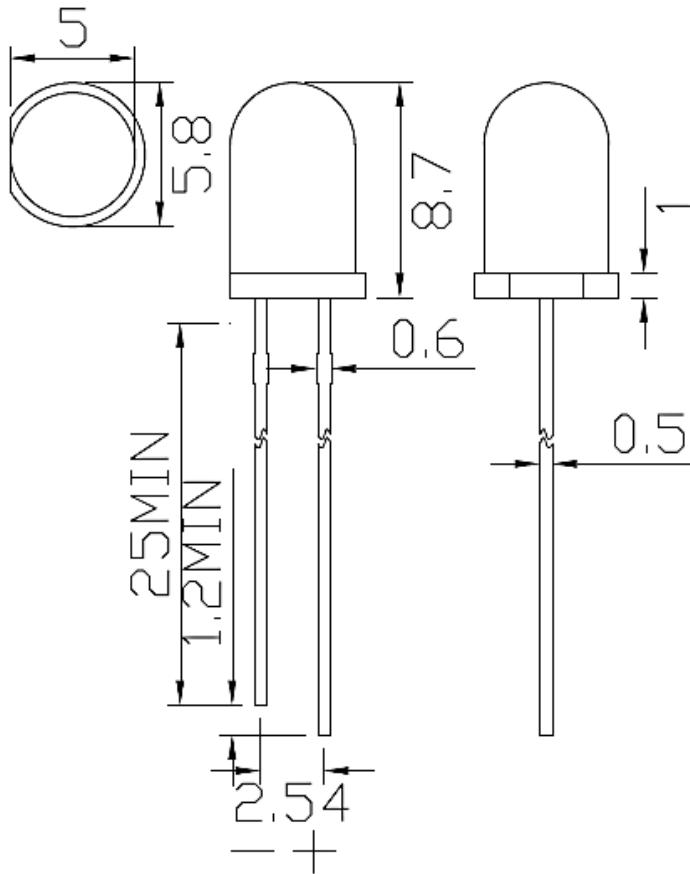


American Opto Plus LED Corp.

L513KGD

5mm Green LED Lamp

## PACKAGE OUTLINES



ITEM	MATERIALS
Dice	AllnGaP
Lens Color	Green Diffused
Emitted Color	Green

### Notes:

1. All dimensions are in millimeters (inches)
2. Tolerances are  $\pm 0.15\text{mm}$  unless otherwise noted.



# American Opto Plus LED Corp.

## L513KGD

### 5mm Green LED Lamp

#### ABSOLUTE MAXIMUM RATINGS

(Ta = 25°C)

Parameter	Symbol	Value	Unit
Power Dissipation	P <sub>D</sub>	60	mW
Forward Current	I <sub>F</sub>	20	mA
Peak Forward Current (1/10 duty, cycle: 0.1ms Pulse Width)	I <sub>PF</sub>	80	mA
Reverse Voltage	V <sub>R</sub>	5	V
Operating Temperature Range	T <sub>OPR</sub>	-25 ~ +85	°C
Storage Humidity	T <sub>SH</sub>	45% ~ 85%	°F
Storage Temperature Range	T <sub>STG</sub>	-30 ~ +85	°C
Soldering Temperature	T <sub>SOL</sub>	260°C for 3 seconds	

#### OPTICAL-ELECTRICAL CHARACTERISTICS

(Ta = 25°C)

Parameter	Symbol	Test Condition	Value			Unit
			Min	Typ	Max	
Luminous Intensity	I <sub>V</sub>	I <sub>F</sub> =20mA	50	--	100	mcd
Forward Voltage	V <sub>F</sub>	I <sub>F</sub> =20mA	1.8	--	2.4	V
Suggested Forward Current	I <sub>F</sub>	I <sub>F</sub> =20mA	3	5~10	20	mA
Reverse current	I <sub>R</sub>	V <sub>R</sub> =5V	--	--	10	μA
Dominant Wavelength	λ <sub>D</sub>	I <sub>F</sub> =20mA	568	--	573	nm
Viewing Angle	2θ <sub>1/2</sub>	I <sub>F</sub> =20mA	--	40	--	deg

When using LEDs in circuits, it is recommended to limit the forward current to 5~10 mA, ≤20 mA.



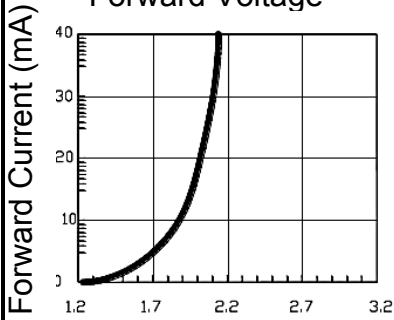
# American Opto Plus LED Corp.

## L513KGD

### 5mm Green LED Lamp

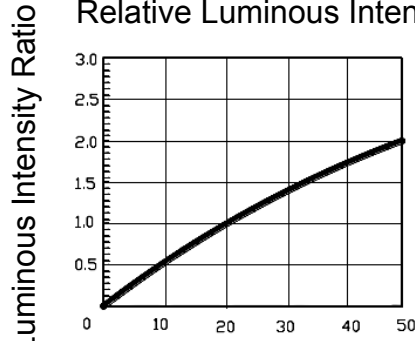
#### OPTICAL CHARACTERISTIC CURVES

Forward Current vs. Forward Voltage



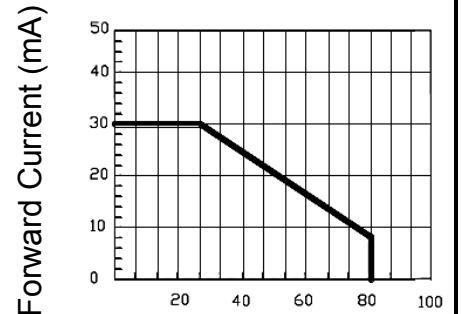
Forward Voltage (V)

Forward Current vs. Relative Luminous Intensity



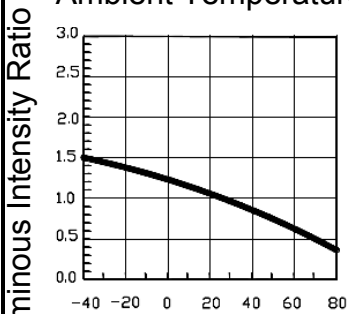
Forward Current (mA)

Forward Current vs. Ambient Temperature



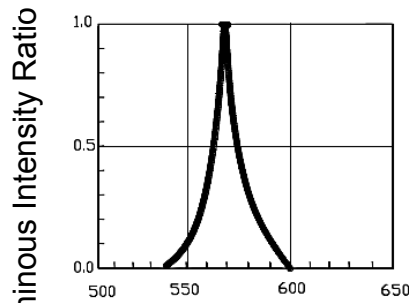
Ambient Temperature (°C)

Relative Luminous Intensity vs. Ambient Temperature



Ambient Temperature (°C)

Relative Luminous Intensity vs. Main Wavelength



Dominant Wavelength (nm)

Radiation Diagram

