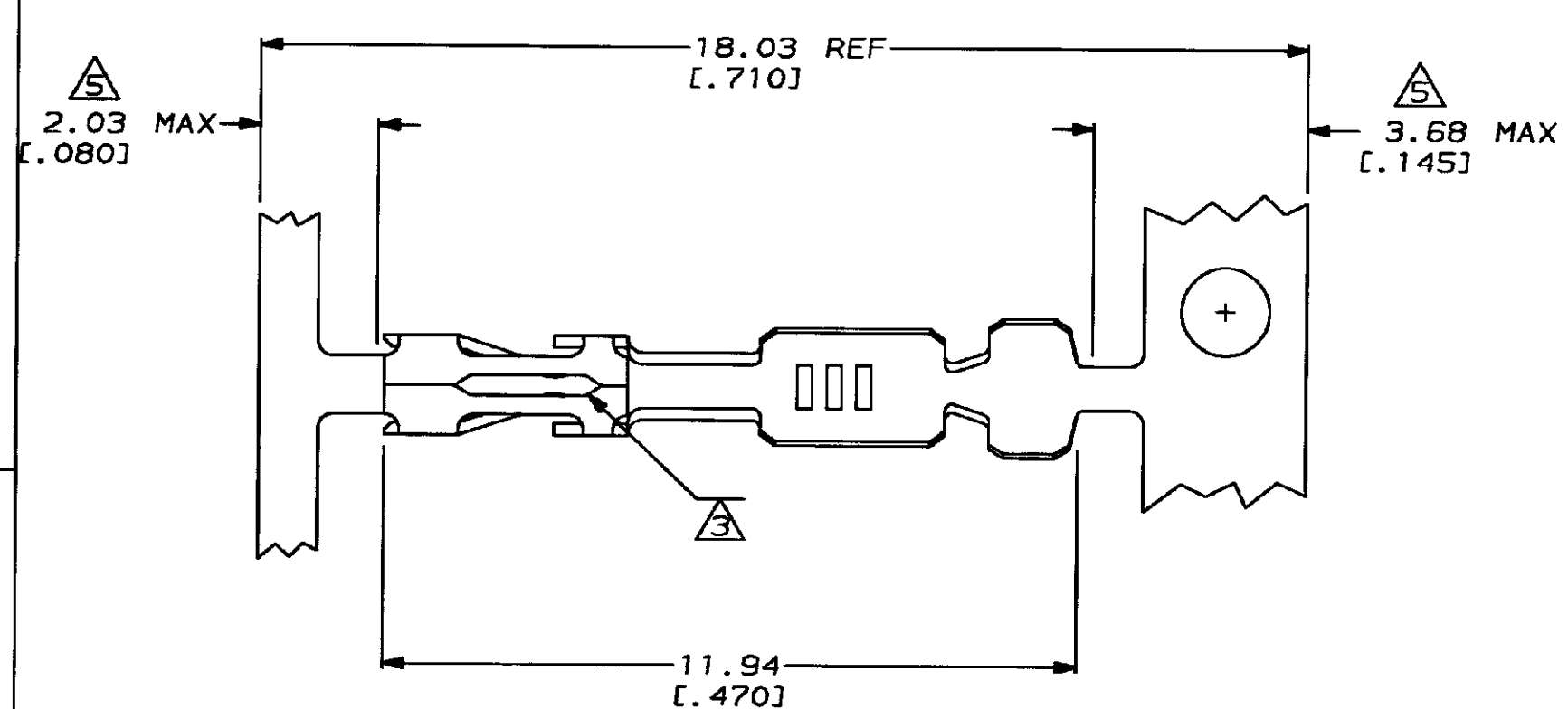
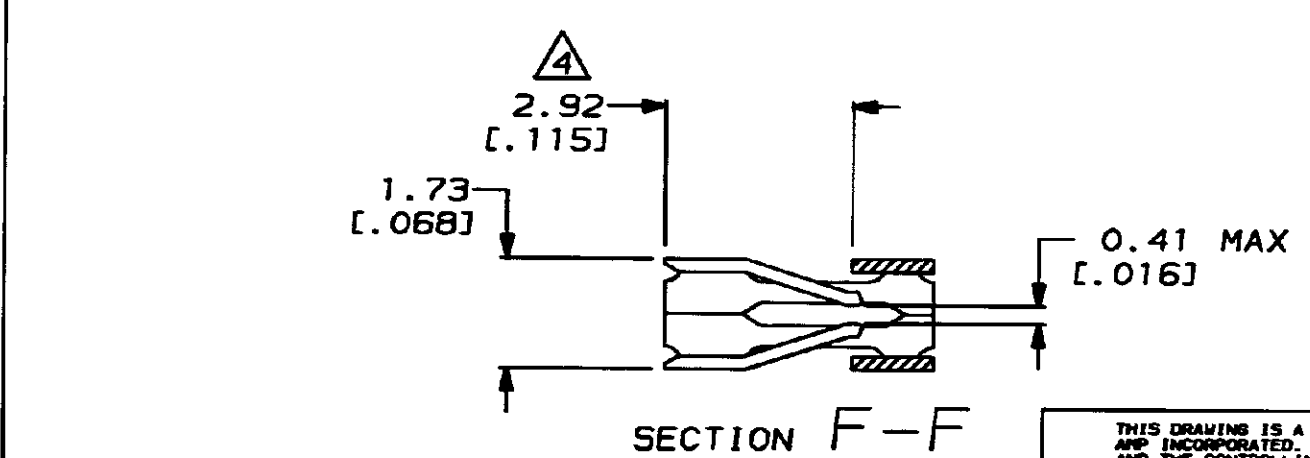
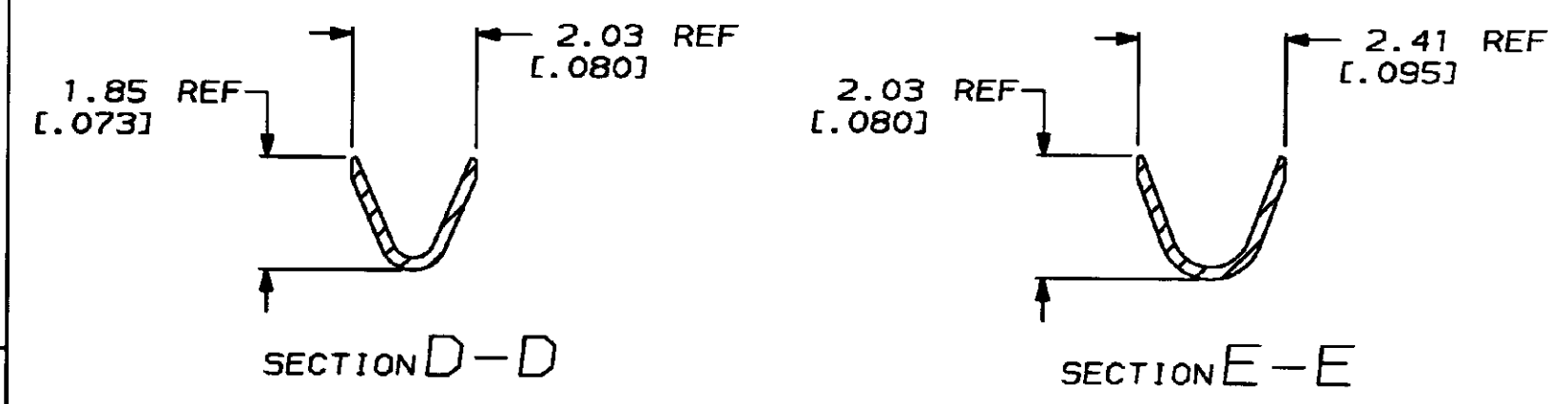
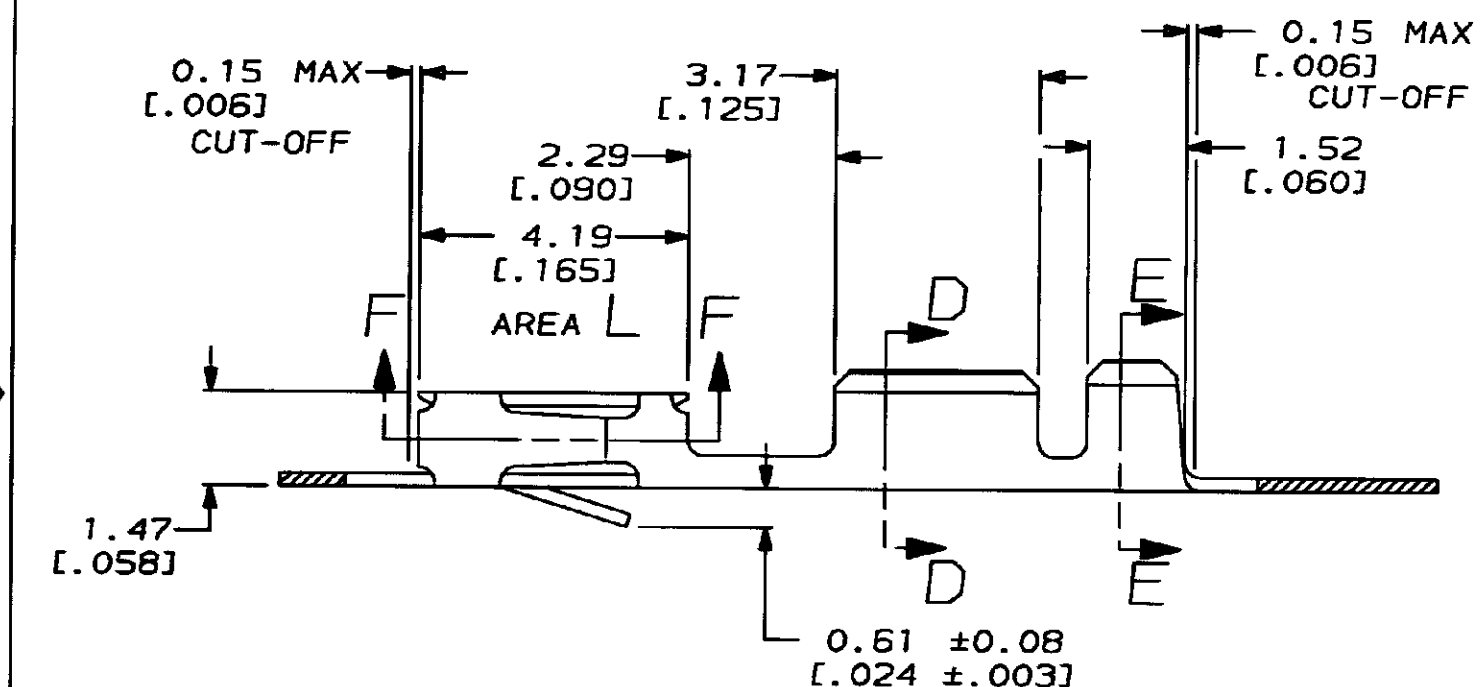


DRAWING MADE IN THIRD ANGLE PROJECTION
 THIS DRAWING IS UNPUBLISHED. RELEASED FOR PUBLICATION .19
 © COPYRIGHT 19 BY AMP INCORPORATED. ALL INTERNATIONAL RIGHTS RESERVED.

LOC		DIST		REVISIONS			
P	F	ZONE	LTR	DESCRIPTION	DATE	APPD	
AD	39			E	REV PER AD-6308	5-6-92	-
				F	OBS -3 PER 0010-0976-93	1-13-93	PS



- 1 REELED FOR MINI APPLICATOR.
 - 2 FINISH: GOLD FLASHOVER ENTIRE RECTANGLE BOX (AREA L).
0.00076 [.00030] GOLD ON CONTACT AREA, ALL OVER 0.00127 [.00050]
NICKEL ENTIRE CONTACT.
 - 3 CUT OUTS ON BOX AT MANUFACTURERS OPTION.
 - 4 POINT OF MEASUREMENT FOR PLATING THICKNESS (INSIDE BEAMS).
 - 5 GOLD PLATING NOT REQUIRED IN THIS AREA.
6. WIRE RANGE #20-#24, INSULATION RANGE ϕ .069 MAX.



THIS DRAWING IS A CONTROLLED DOCUMENT FOR AMP INCORPORATED. IT IS SUBJECT TO CHANGE AND THE CONTROLLING ENGINEERING ORGANIZATION SHOULD BE CONTACTED FOR THE LATEST REVISION.

DESCRIPTION	FINISH	PART NUMBER
OBSOLETE	LOOSE PC.	102680-3
		102680-1

DO NOT SCALE PRINT. UNLESS SPECIFIED DIMENSIONS IN mm [INCHES] TOLERANCES ON: 2 PLC DEC ±0.13 [.005] 3 PLC DEC ± - ANGLES ± -	DR 5-6-92 S. SHUEY CHK 5-11-92 J. GESFORD APPD 5-11-92 J. GESFORD APPD 5-11-92 D. DUPLER	AMP AMP Incorporated Harrisburg, PA 17105-3608	
MATERIAL COPPER TIN PHOS ALLOY 521	PRODUCT SPEC	NAME CONTACT, CRIMP SNAP-IN, MOD IV 1/2	
FINISH SEE TABLE	APPLICATION SPEC	SIZE C	CAGE CODE 00779
	WEIGHT	DRAWING NO C=102680	
		SCALE 10:1	SHEET 1 OF 1

CUSTOMER DRAWING