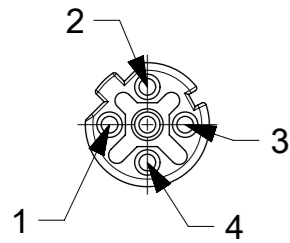


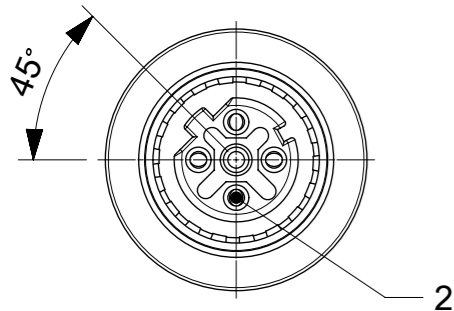
4 POLE D-CODE

M12 FEMALE



PIN	WIRE COLOR
1	OR
2	GN
3	OR/WH
4	GN/WH
5	-

CODING ACCORDING TO IEC-61076-2-101



PART No MATRIX



Y0= ULTRA LOCK 2.0 SINGLE ENDED

POLES:
4 = 4 POLES

HEADER:
000= FEMALE STR

CABLE:
04 - ETHERNET CAT-5E 2x2x24AWG TPE TEAL

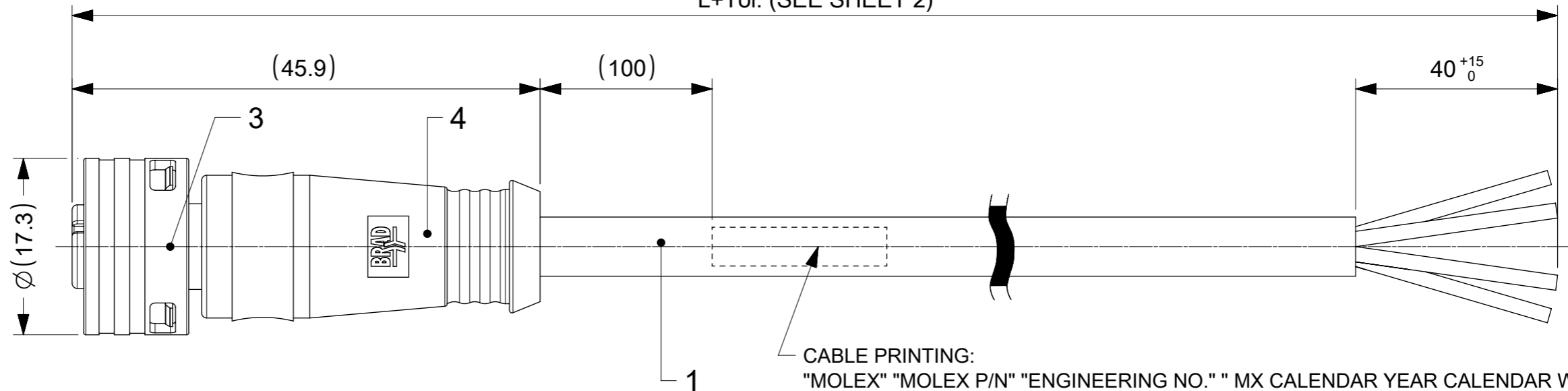
UNIT:
M = METER
F = FEET
C = CENTIMETER
T = 10M

LENGTH:
EXAMPLE:
010 = 1 m
050 = 5 m
100 = 10 m

OVERMOLD:
BLANK = STANDARD BRAD:
-YELLOW IN THE USA
-BLACK IN EUROPE

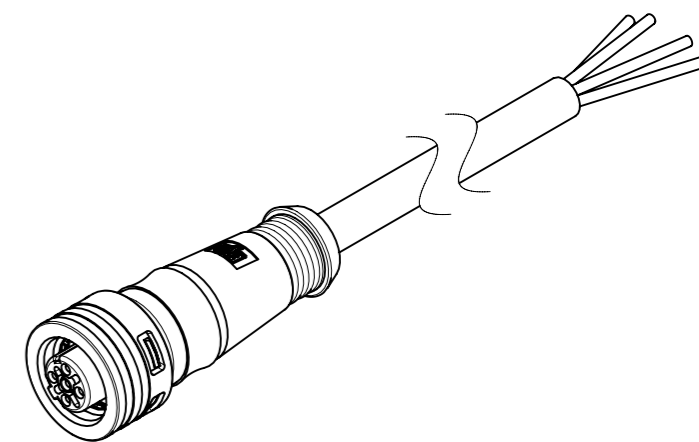
A = GREY
E = RED
G = BLACK
Y = YELLOW
H = STD. COLOUR WITH TWO ID-TAG CARRIERS
DC = D-Code

L+Tol. (SEE SHEET 2)



NOTES:

- PARTS ACC. TO PRODUCT SPECIFICATION 1204000001 PS P10 AND IN STYLE OF IEC-61076-2-010
- BOM & PART LIST - SEE SHEET 2
- ELECTRICAL DATA: ACCORDING TO CAT5e ETHERNET STANDARD
RATED VOLTAGE: 60V DC
RATED CURRENT: 1.5A, DERATING HAS TO BE CONSIDERED
OVERVOLTAGE CATEGORY: 3
POLLUTION DEGREE: 3, ONLY IN MATED AND LOCKED CONDITION
- PROTECTION CLASS: IP 67, ONLY IN MATED AND LOCKED CONDITION
- TEMPERATURE RANGE FIXED INSTALLATION: -20°C / +75°C
- MECHANICAL OPERATIONS: 100 CYCLES
- MATES WITH ULTRA-LOCK M12 MALE RECEPTACLES
- PACKAGING: THE CORDSETS ARE PACKED IN PLASTIC BAGS AND DELIVERED IN CARTON BOXES
- UL FILE: CERTIFICATION IN PROCESS



FUNCTIONAL SYMBOLS	THIS DRAWING CONTAINS INFORMATION THAT IS PROPRIETARY TO MOLEX ELECTRONIC TECHNOLOGIES, LLC AND SHOULD NOT BE USED WITHOUT WRITTEN PERMISSION	CURRENT REV DESC:		molex																						
	<table border="1"> <tr> <th>FUNCTIONAL SYMBOLS</th> <th>DIMENSION UNITS</th> <th>SCALE</th> </tr> <tr> <td>$\nabla/A = 0$</td> <td>mm</td> <td>1:1</td> </tr> <tr> <td>$\nabla/E = 0$</td> <td colspan="2">GENERAL TOLERANCES (UNLESS SPECIFIED)</td> </tr> <tr> <td>$\nabla/F = 0$</td> <td colspan="2">ANGULAR TOL ± 1.0°</td> </tr> <tr> <td rowspan="4">DIVISIONAL SYMBOLS</td> <td>4 PLACES</td> <td>±</td> </tr> <tr> <td>3 PLACES</td> <td>±</td> </tr> <tr> <td>2 PLACES</td> <td>± 0.05</td> </tr> <tr> <td>1 PLACE</td> <td>± 0.3</td> </tr> <tr> <td>0 PLACES</td> <td>± 0.5</td> <td></td> </tr> </table>	FUNCTIONAL SYMBOLS	DIMENSION UNITS		SCALE	$\nabla/A = 0$	mm	1:1	$\nabla/E = 0$	GENERAL TOLERANCES (UNLESS SPECIFIED)		$\nabla/F = 0$	ANGULAR TOL ± 1.0°		DIVISIONAL SYMBOLS	4 PLACES	±	3 PLACES	±	2 PLACES	± 0.05	1 PLACE	± 0.3	0 PLACES	± 0.5	
FUNCTIONAL SYMBOLS	DIMENSION UNITS	SCALE																								
$\nabla/A = 0$	mm	1:1																								
$\nabla/E = 0$	GENERAL TOLERANCES (UNLESS SPECIFIED)																									
$\nabla/F = 0$	ANGULAR TOL ± 1.0°																									
DIVISIONAL SYMBOLS	4 PLACES	±																								
	3 PLACES	±																								
	2 PLACES	± 0.05																								
	1 PLACE	± 0.3																								
0 PLACES	± 0.5																									
PRODUCT CUSTOMER DRAWING																										
DOCUMENT NUMBER		DOC TYPE	DOC PART	REVISION																						
1204000401		PSD	000	A2																						
DRAFT WHERE APPLICABLE MUST REMAIN WITHIN DIMENSIONS	THIRD ANGLE PROJECTION	DRAWING	SERIES	MATERIAL NUMBER																						
		A3-SIZE	120400	SEE SHEET 2																						
CUSTOMER		SHEET NUMBER																								
GENERAL MARKET		1 OF 2																								

PART LIST

MOLEX NO.	ENGINEERING NO.	LENGHT (MM)
1204000400	Y04000X04M006DC	600
1204000401	Y04000X04M010DC	1000
1204000402	Y04000X04M020DC	2000
1204000403	Y04000X04M050DC	5000
1204000404	Y04000X04M100DC	10000
1204000405	Y04000X04M250DC	25000
1204000406	Y04000X04M300DC	30000

MOLEX NO.	ENGINEERING NO.	LENGHT (MM)

MOLEX NO.	ENGINEERING NO.	LENGHT (MM)

BILL OF MATERIAL:

4P	5P	ITEM	QTY	DESCRIPTION	MATERIAL	FINISH/COLOR
X		1	-	CABLE	SEE CABLE LIST	SEE CABLE LIST
X		2	4/5	CONTACT 10 FE STA AU	BRASS	GOLD OVER NICKEL PLATED
X		3	1	PLG U12 4P DC FE PA UNSH PLG U12 5P DC FE PA UNSH	-	-
X		4	1	OVERMOLD	TPU	SEE MATRIX
				IF "H" IS IN MATRIX-END	-	2
				I/D CARRIER DIA 4-7MMX30MM	PVC	TRANSPARENT

CABLE LENGTH TOLERANCES	
LENGTH	TOLERANCE
0m-1m	+40 mm
>1m-5m	+60 mm
>5m-10m	+80 mm
>10m-20m	+140 mm
>20m-30m	+160 mm
>30m	+1% length

CABLE LIST

4P	5P	CABLE TYPE	DESCRIPTION	MATERIAL	FINISH/COLOR
X		04	CABLE ETHERNET CAT-5E TPE TEAL 2X2X24AWG D6.2	TPE	TEAL

FUNCTIONAL SYMBOLS $\nabla/A = 0$ $\nabla/E = 0$ $\nabla/P = 0$	THIS DRAWING CONTAINS INFORMATION THAT IS PROPRIETARY TO MOLEX ELECTRONIC TECHNOLOGIES, LLC AND SHOULD NOT BE USED WITHOUT WRITTEN PERMISSION. DIMENSION UNITS: mm SCALE: 1:1	CURRENT REV DESC: EC NO: 651359 DRWN: JELIZAINCIN 2020/12/07 CHK'D: JELIZAINCIN 2020/12/14 APPR: RSILLER 2020/12/16	molex CSE U12ET 4P DC FE STR TPE XM SE UNSH TE		
	GENERAL TOLERANCES (UNLESS SPECIFIED) ANGULAR TOL ± 1.0 °				
DIVISIONAL SYMBOLS 4 PLACES ± 3 PLACES ± 2 PLACES ± 0.05 1 PLACE ± 0.3 0 PLACES ± 0.5	DRAFT WHERE APPLICABLE MUST REMAIN WITHIN DIMENSIONS	THIRD ANGLE PROJECTION	DRAWING: A3-SIZE SERIES: 120400	MATERIAL NUMBER: SEE PART LIST CUSTOMER: GENERAL MARKET	DOCUMENT NUMBER: 1204000401 DOC TYPE: PSD DOC PART: 000 REVISION: A2
SHEET NUMBER: 2 OF 2	DATE: 2020/11/11				