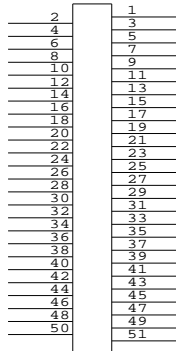


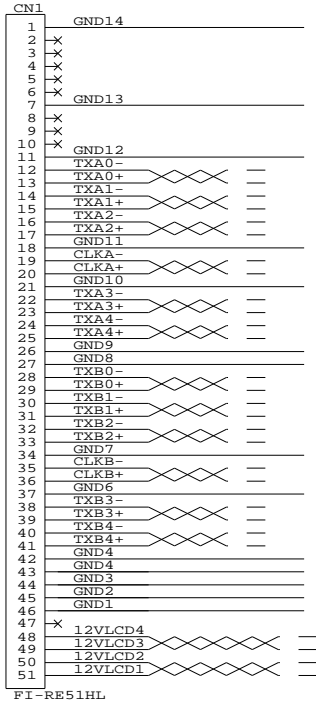
CONNECTION DIAGRAM:

IMPORTANT NOTE:

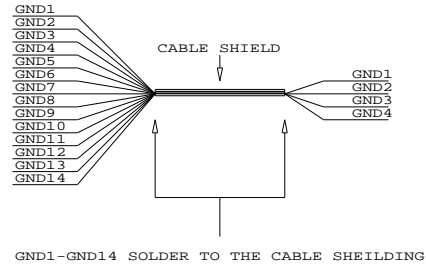


EVEN PIN USE  
CRIMP TERMINAL  
FI-RC3-1A-1E

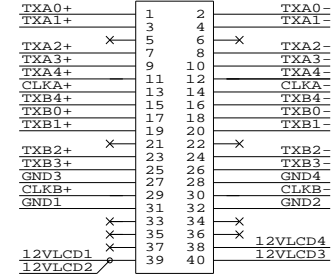
ODD PIN USE  
CRIMP TERMINAL  
FI-RC3-1B-1E



FI-RE51HL



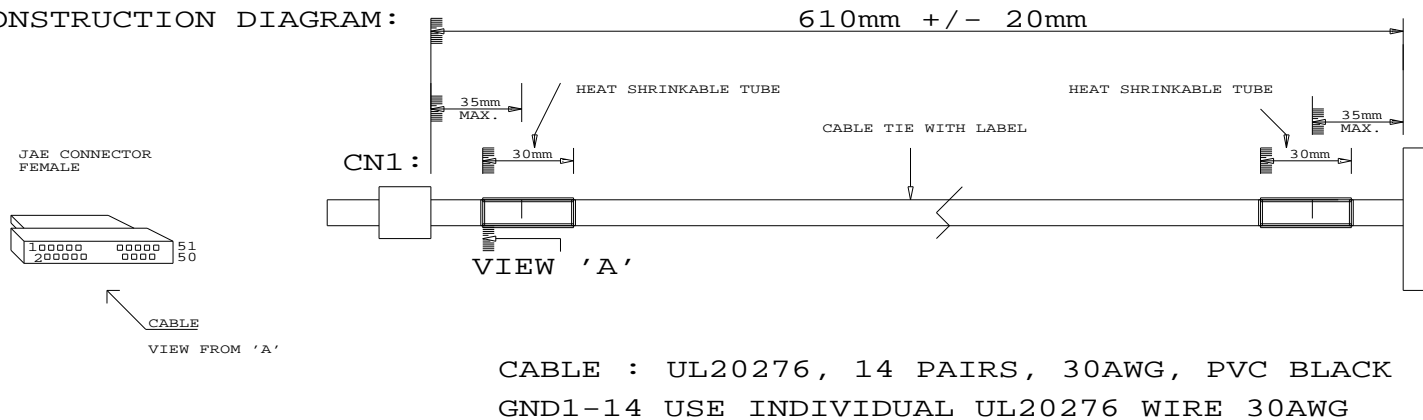
GND1-GND14 SOLDER TO THE CABLE SHIELDING



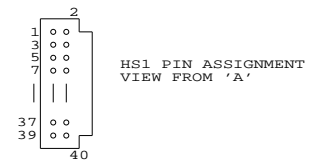
DF13-40DS-1.25C

CONTROLLER SIDE

CONSTRUCTION DIAGRAM:



DF13-40DS-1.25C  
HIROSE



VIEW 'A'

RoHS  
COMPLIANCE

USAGE: IE-1000 FOR LG LC370WUD

P/N 426497700-3

LVDS ROUND TWISTED PAIR CABLE: FOR LG LC370WUD, 610MM

DIGITAL VIEW LTD. COPYRIGHT 2008, ALL RIGHTS RESERVED CONFIDENTIAL DRAWN BY: VICTOR NG		
Title	ROUND PAIRED CABLE: LG LC370WUD	
Size	Document Number	REV
B	(...\DV\DV_CABLE\C6497700.SCH)	00
Date	September 19, 2008	Sheet 1 of