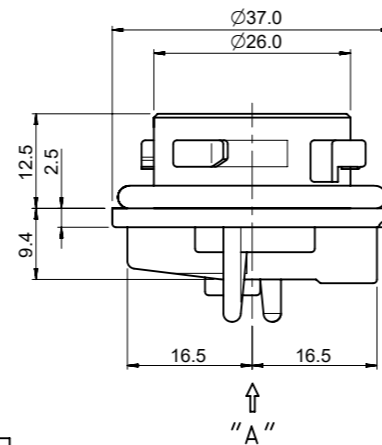
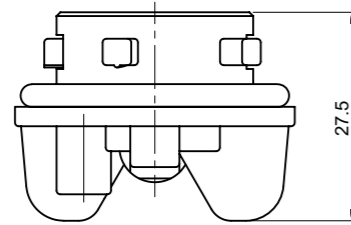
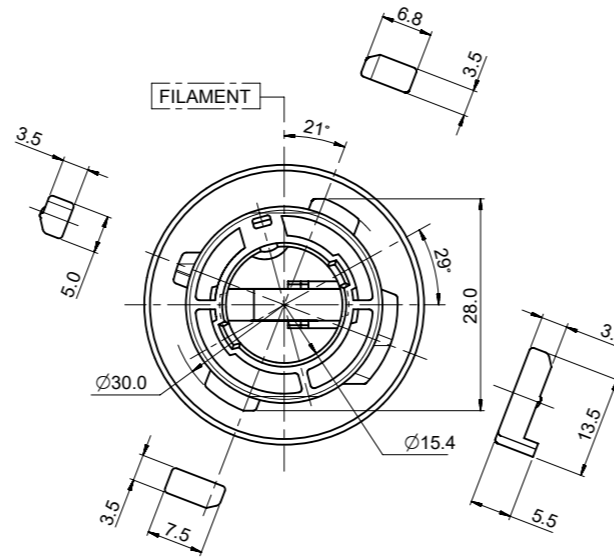
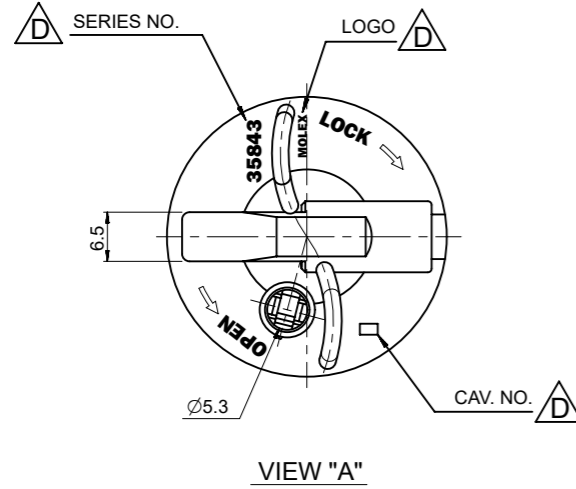


- NOTES
1. FOCAL LENGTH =31.8mm
 2. PRODUCT SPECIFICATION: PS-35842-001
 3. APPLICABLE BULB CAP: P21W(BA15s)
 4. MATES WITH

NO.	DESCRIPTION	MATERIAL	ORDER NO.	REMARK
③	POSITIVE TERMINAL	PHOSPHOR BRONZE	35464-8000	UNPLATED
④	POSITIVE WIRE SEAL	SILICONE	35903-0096	BROWN
⑤	EARTH TERMINAL	PHOSPHOR BRONZE	35465-8000	UNPLATED
⑥	EARTH WIRE SEAL	SILICONE	35903-0106	BLUE

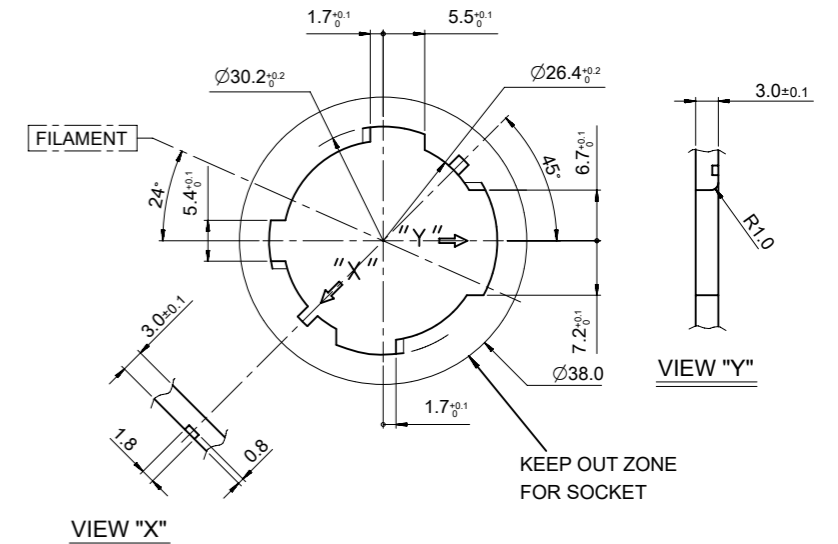
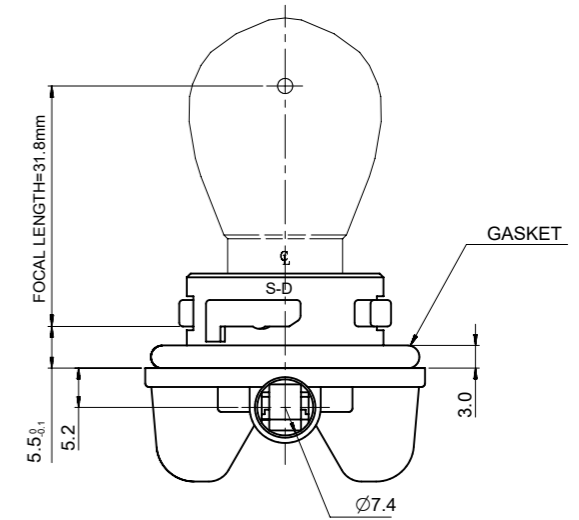
<PART LIST>

NO.	DESCRIPTION	MATERIAL	USAGE	REMARK
①	SINGLE SOCKET	PA66 M/F	1	D TYPE
②	SEAL GASKET	NBR	1	BLACK

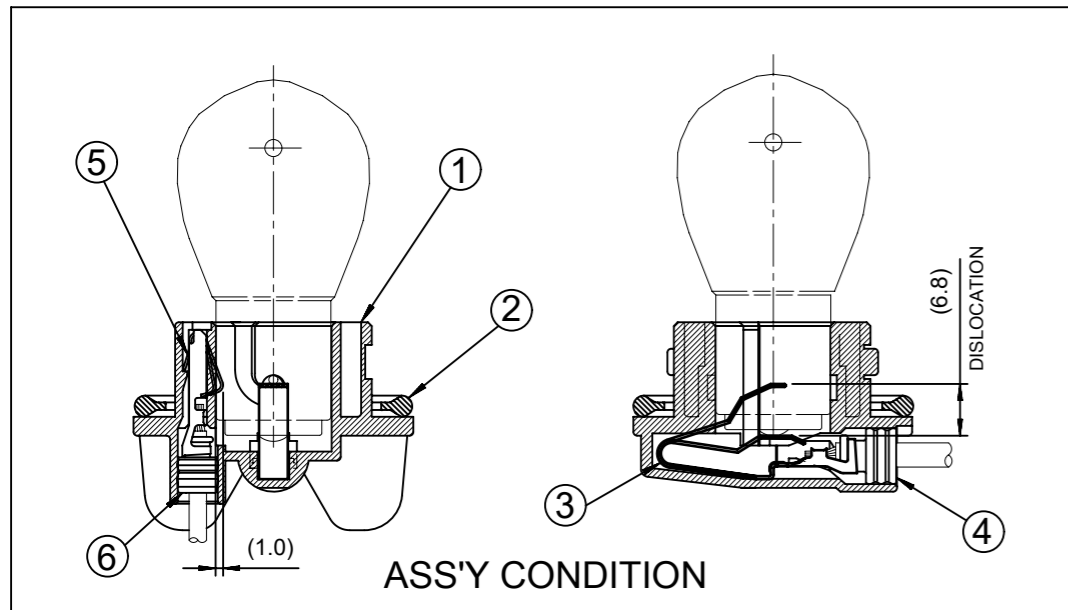


<TABLE 1>

MATERIAL NO.	ORDER NO.	COLOR
358431240	35843-1240	NATURAL
358431245	35843-1245	GRAY
358431246	35843-1246	WHITE
358431247	35843-1247	BROWN



MOUNTING INTERFACE
(MI-4)



THIS DRAWING CONTAINS INFORMATION THAT IS PROPRIETARY TO MOLEX ELECTRONIC TECHNOLOGIES, LLC AND SHOULD NOT BE USED WITHOUT WRITTEN PERMISSION

DIMENSION UNITS	SCALE	CURRENT REV DESC: RETRACTED PART NUMBER AS PER SALES FORCE CASE#210635	molex		
mm	1:1				
GENERAL TOLERANCES (UNLESS SPECIFIED)			SEALED PT BULB SOCKET SINGLE HOUSING ASS'Y (D-TYPE)		
			PRODUCT CUSTOMER DRAWING		
4 PLACES	±		DOCUMENT NUMBER		
3 PLACES	±		DOC TYPE DOC PART REVISION		
2 PLACES	± 0.15		SD-35843-004 PSD 001 F		
1 PLACE	± 0.25		MATERIAL NUMBER		
0 PLACES	±		CUSTOMER		
ANGULAR TOL	± 2.0°		SHEET NUMBER		
DRAFT WHERE APPLICABLE MUST REMAIN WITHIN DIMENSIONS			THIRD ANGLE PROJECTION	DRAWING	SERIES
				A3-SIZE	35843
			SEE TABLE 1	GENERAL MARKET	1 OF 1