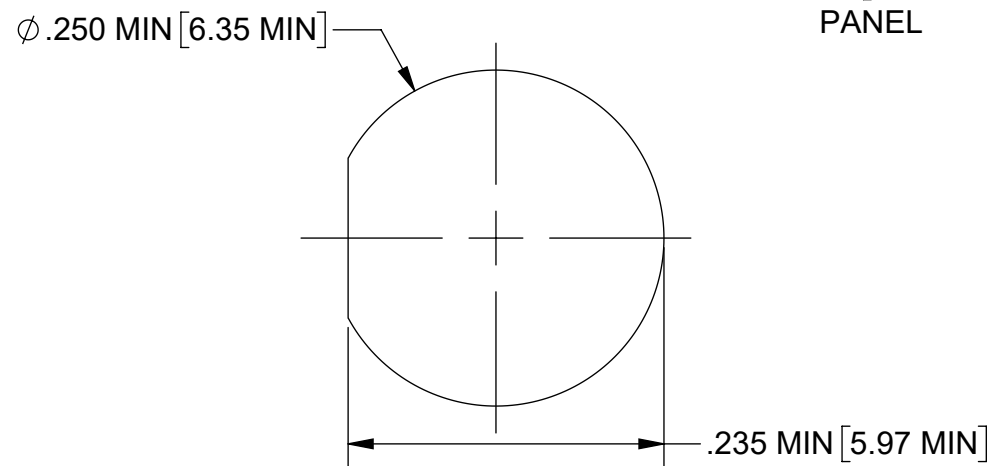
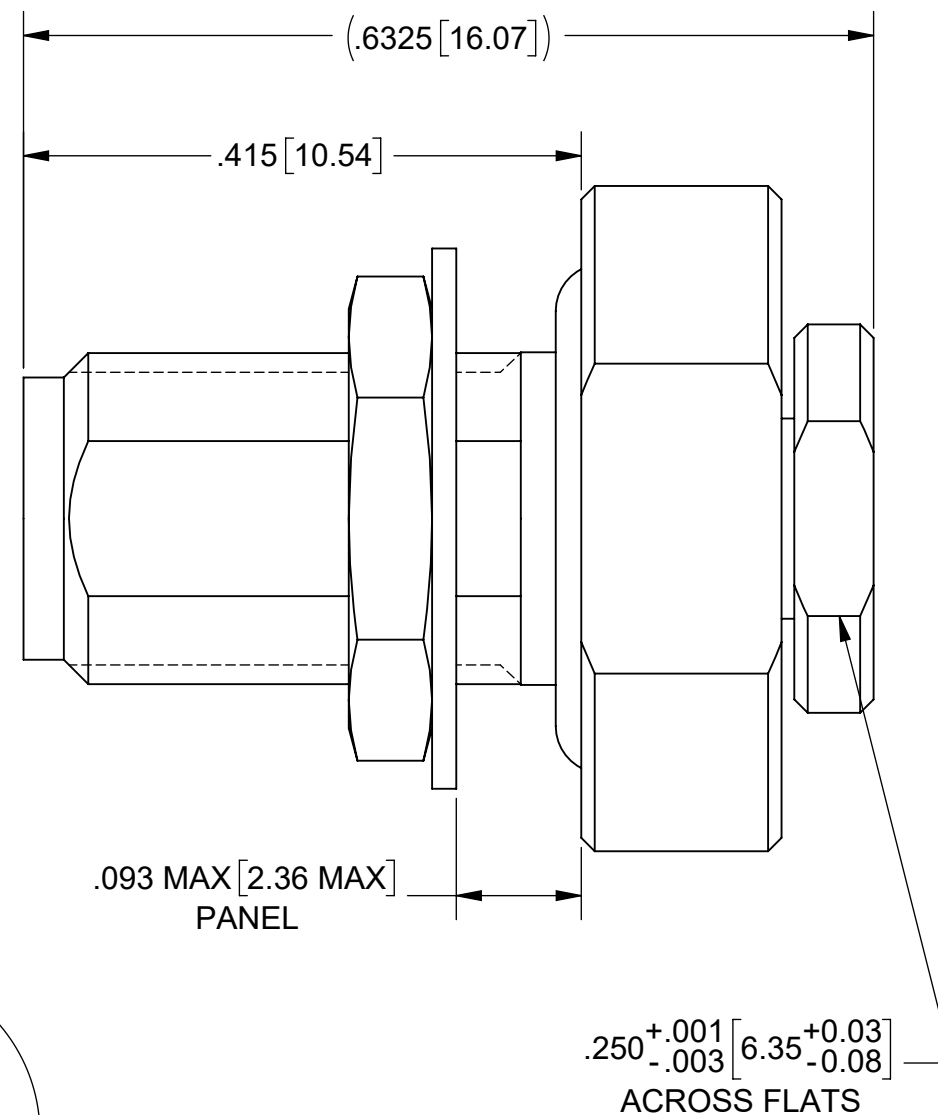
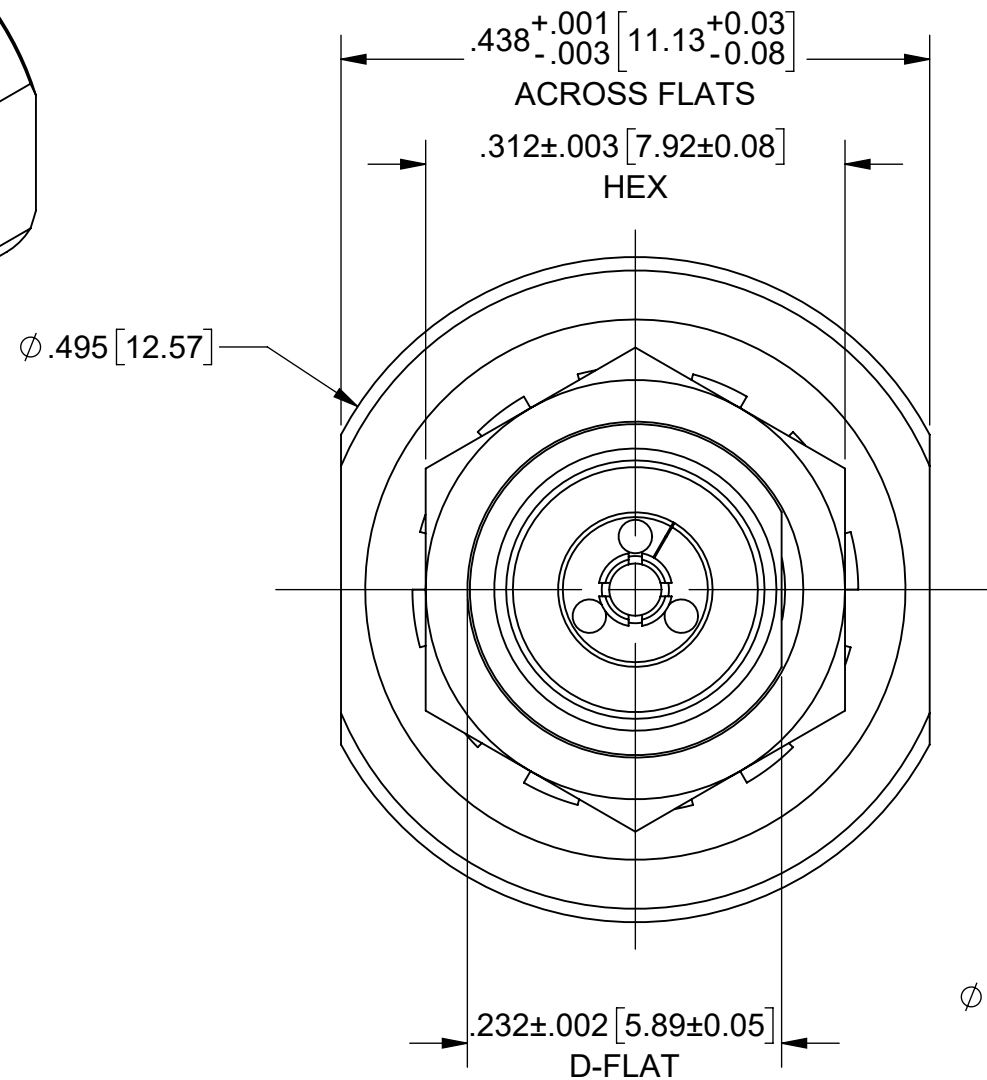
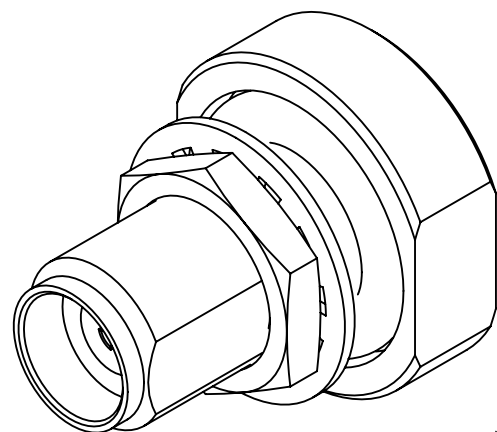


PRODUCT DATA DRAWING

REVISION HISTORY			
REV	DESCRIPTION	DATE	APPROVED
-	NRN 46705	04/22	SEE PDM
A	DCN 51622	05/22	



RECOMMENDED MOUNTING HOLE

MATERIAL	
BODY, INSERT, HEX NUT, CLAMP NUT	ALUMINUM
INSULATOR	PTFE
CONTACT, FERRULE	BERYLLIUM COPPER
O-RING	VITON
LOCK WASHER	STAINLESS STEEL

FINISH	
BODY, HEX NUT, CLAMP NUT, CONTACT, FERRULE	GOLD OVER NICKEL
INSERT	CHEMICAL CONVERSION COATING
LOCK WASHER	PASSIVATED

PERFORMANCE	
IMPEDANCE	50 OHMS
FREQ. RANGE	DC TO 40.0 GHZ

MATERIAL: SEE NOTES
 FINISH: SEE NOTES
 SURFACE AREA: N/A
PROPRIETARY
 THE INFORMATION CONTAINED IN THIS DRAWING IS THE SOLE PROPERTY OF SV MICROWAVE, INC. ANY REPRODUCTION IN PART OR AS A WHOLE WITHOUT THE WRITTEN PERMISSION OF SV MICROWAVE, INC IS PROHIBITED.

DIMENSIONS ARE IN INCHES TOLERANCES:
 FRACTIONAL: ±1/64 ANGULAR: X° ±1'0" X'X' ±15'
 DECIMAL: X ±.030
 .XX ±.010
 .XXX ±.005
 INTERPRET DIMENSIONS AND TOLERANCES PER ASME Y14.5M - 1994
THIRD ANGLE PROJECTION

UNLESS OTHERWISE SPECIFIED
 1) ALL DIMENSIONS ARE IN INCHES (MILLIMETERS)
 2) ALL DIMENSIONS ARE AFTER PLATING.
 3) BREAK CORNERS & EDGES .005 R. MAX.
 4) CHAM. 1ST & LAST THREADS.
 5) SURFACE ROUGHNESS 63-MIL-STD-10.
 6) DIA: 'S ON COMMON CENTERS TO BE CONCENTRIC WITHIN .005 T.I.R.
 7) REMOVE ALL BURRS
 DRAWN: JPM 04/13/22
 CHECKED: SEE PDM
 APPROVED: SEE PDM

TITLE: 2.9MM STR. F CONNECTOR FOR STANDARD FLEXTRA CABLE
 SIZE DWG. NO. B 1521-80001
 SCALE: 7:1 SHEET 1 OF 1