

PART NAME: KNOB

SCALE: 1:1

DATE: 6/13/95 DR. BY HD

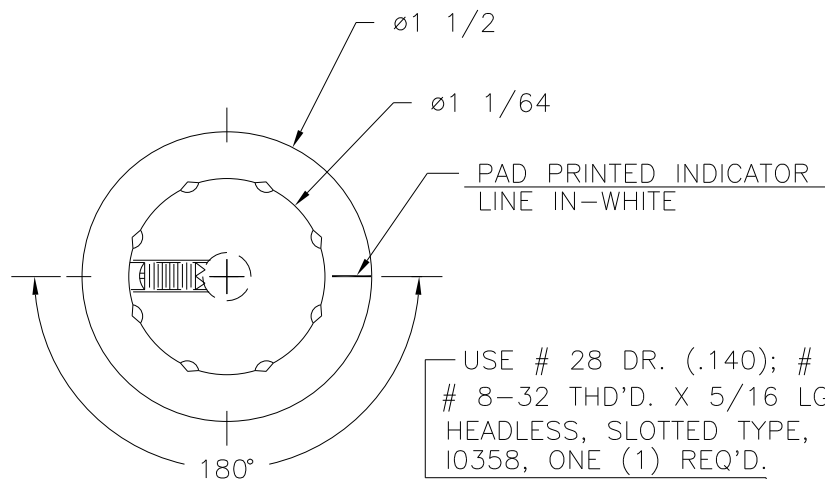
DAVIES MOLDING COMPANY
CAROL STREAM, ILLINOIS 60188

P/N 1930BP

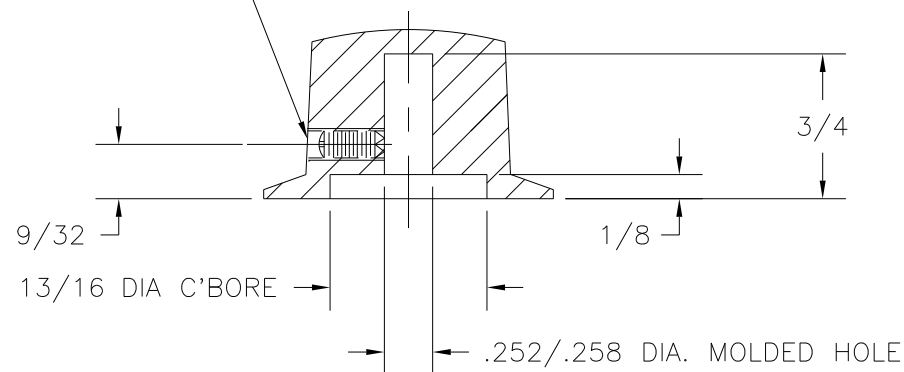
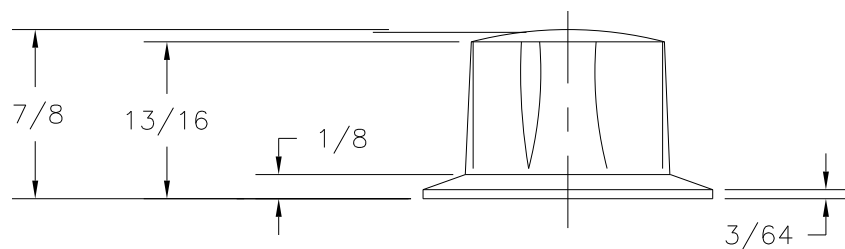
BASE PART 1930-01

SET SCREW I0358

THIS DRAWING IS THE PROPERTY OF DAVIES MOLDING COMPANY, IS SUBMITTED SOLELY AS A DESIGN OR ENGINEERING PROJECT.
WE ACCEPT NO RESPONSIBILITY WHATSOEVER FOR THE PRACTICAL APPLICATION OF THE PIECES MADE TO THIS DESIGN.



USE # 28 DR. (.140); # 8-32 TAP.
8-32 THD'D. X 5/16 LG. CUP POINTED,
HEADLESS, SLOTTED TYPE, SET SCREW
I0358, ONE (1) REQ'D.



MATERIAL: G.P. PHENOLIC (B11)
COLOR: BLACK

TOLERANCES: UNLESS OTHERWISE SPECIFIED	DO NOT SCALE DRAWING				
DECIMALS: X.XXX ± .005 X.XX ± .015	MM: X.XX ± 0.15MM X.X ± 0.4MM	-	UPDATED TOOLBOX	JAM	10/15/02
FRACTIONS ± 1/64	ANG. ± 1°	CHANGES			