

注記 NOTES

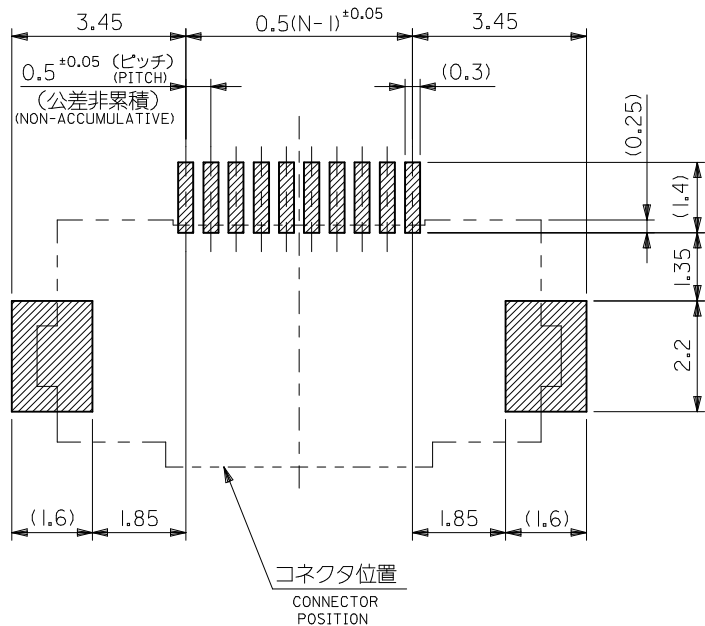
- I. 使用材料 MATERIAL
- ハウジング HOUSING: ポリアミド46、ガラス充填、UL94V-0(白) POLYAMIDE46, GLASS FILLED, UL94V-0(WHITE)
 - アクチュエータ ACTUATOR: ポリフェニレンサルファイド、ガラス充填、UL94V-0(茶) POLYPHENYLENE SULFIDE, GLASS FILLED, UL94V-0(BROWN)
 - ターミナル TERMINAL: リン青銅 (t=0.2) PHOSPOR BRONZE
 - 金具 FITTING NAIL: 銅メッキ TIN I.O. MICROMETER MINIMUM
 - ニッケル下地 NICKEL(UNDER PLATING) I.O. MICROMETER MINIMUM
- △ パターンはくり止め用金具 FITTING NAIL FOR PREVENTION OF PEELING OF P.C.B. PATTERN.
- △ ソルダータール半田付け面のスレ量、及び金具半田付け面のスレ量は、基準面 Y に対し上方向 0.05MAX. 下方向 0.2MAX. とし、相互のバラツキ量は、0.1MAX. とする。
- MISALIGNMENT OF SOLDER TAILS AND FITTING NAILS FROM Y
UPPER DIRECTION: 0.05 MAX. , LOWER DIRECTION: 0.2 MAX.
MISALIGNMENT BETWEEN SOLDER TAILS AND FITTING NAILS : 0.1MAX.
- △ 偶数種に適用。 APPLY FOR EVEN CIRCUIT.
- △ 1点以上は2ヶ所、10~17種はハウジングセンター上に1ヶ所とする。
18 CKTS & MORE THAN 18 CKTS PLACED 2 POINT.
10~17 CKTS PLACED 1 POINT ON HOUSING CENTER.

19.6	15.5	15.3	14.5	52893-3095	52893-3019	30
18.6	14.5	14.3	13.5	-2895	-2819	28
17.6	13.5	13.3	12.5	-2695	-2619	26
16.6	12.5	12.3	11.5	-2495	-2419	24
15.6	11.5	11.3	10.5	-2295	-2219	22
15.1	11.0	10.8	10.0	-2195	-2119	21
14.6	10.5	10.3	9.5	-2095	-2019	20
13.6	9.5	9.3	8.5	-1895	-1819	18
12.6	8.5	8.3	7.5	-1695	-1619	16
12.1	8.0	7.8	7.0	-1595	-1519	15
11.6	7.5	7.3	6.5	-1495	-1419	14
11.1	7.0	6.8	6.0	-1395	-1319	13
10.6	6.5	6.3	5.5	-1295	-1219	12
10.1	6.0	5.8	5.0	-1195	-1119	11
9.6	5.5	5.3	4.5	-1095	-1019	10
8.6	4.5	4.3	3.5	52893-0895	52893-0819	8
D	C	B	(A)	EMBOSSD TAPE	MATERIAL NO.	極数 CIRCUIT
				ORDER No. オーダー番号		

注記 NOTES

6. 本製品は 52893-***17 の鉛フリー品である。
THIS PRODUCT IS LEAD FREE OF 52893-***17.

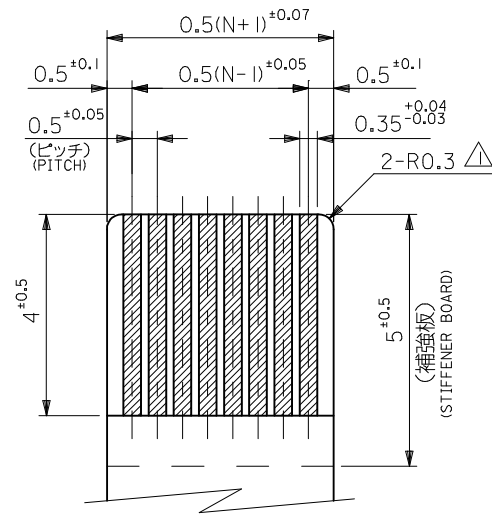
REVISED EC NO: J2016-0623 DRWN:SKITAZAWA 2015/12/11 CHKD:YKOBAYASHI 2016/02/15 APPR:TKUSUHARA01 2016/02/17	GENERAL TOLERANCES (UNLESS SPECIFIED)		DIMENSION STYLE MM ONLY		SCALE ---	DESIGN UNITS METRIC	THIRD ANGLE PROJECTION
	0.25 UNDER	UNDER	±0.03	DRAWN BY M. NAGATA	DATE '04/01/09	TITLE 0.5 FPC CONN ASSY ZIF SMT RA BTM CONT E/O TYPE -LEAD FREE-	
	0.25 OVER	0.5 UNDER	±0.05	CHECKED BY K. TOJO	DATE '04/01/09		
	0.5 OVER	1.0 UNDER	±0.1	APPROVED BY M. SASAO	DATE '04/01/09		
1.0 OVER	10 UNDER	±0.2	MATERIAL NO.	SEE TABLE	DOCUMENT NO. SD-52893-040	SHEET NO. 1 OF 2	
10 OVER	30 UNDER	±0.25	DRAFT WHERE APPLICABLE MUST REMAIN WITHIN DIMENSIONS		THIS DRAWING CONTAINS INFORMATION THAT IS PROPRIETARY TO MOLEX ELECTRONIC TECHNOLOGIES, LLC AND SHOULD NOT BE USED WITHOUT WRITTEN PERMISSION		
30 OVER		±0.3	SIZE A3				



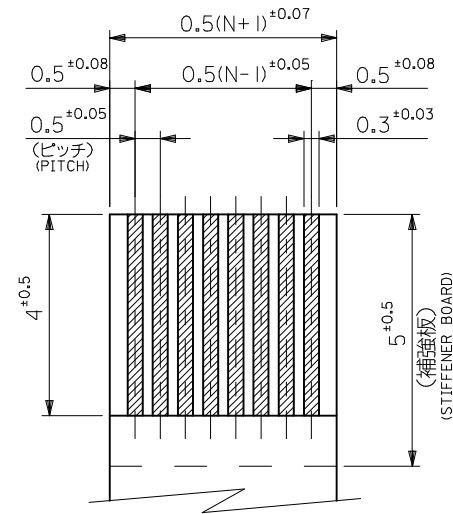
参考基板レイアウト
RECOMMENDED P.C. BOARD
PATTERN DIMENSION (REF.)
(マウント面)
(MOUNTING SIDE)

注記 NOTES

△ R0.3は、FPCの導体部にかからないこと。
R0.3 MUST NOT BE OVERLAPPED TO PATTERN OF FPC.



適合FPC推奨寸法
APPLICABLE FPC
RECOMMENDED DIMENSION
(仕上がり厚さ: 0.3 ± 0.03)
(THICKNESS: 0.3 ± 0.03)



適合FFC推奨寸法
APPLICABLE FFC
RECOMMENDED DIMENSION
(仕上がり厚さ: 0.3 ± 0.03)
(THICKNESS: 0.3 ± 0.03)

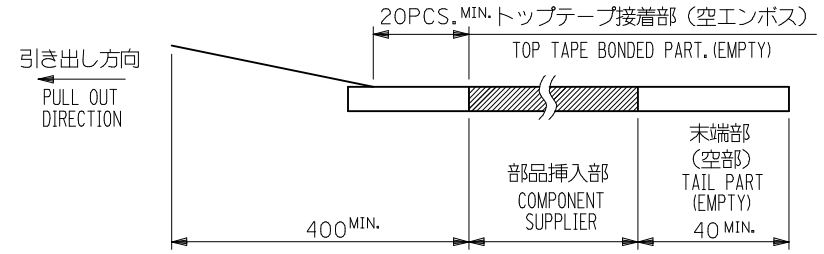
FPCについて:
打抜き方向は導体側から補強板側を推奨致します。
補強フィルム材質はポリイミドを推奨致します。
接着剤は熱硬化接着剤を推奨致します。
ABOUT FPC:
RECOMMENDED PUNCHER DIRECTION: FROM CONDUCTOR SIDE TO STIFFENER BOARD SIDE.
RECOMMENDED MATERIAL:
STIFFENER FILM: POLYIMIDE
BONDING AGENT: THERMOSETTING BONDING AGENT

52893-**-19 MODEL NO.

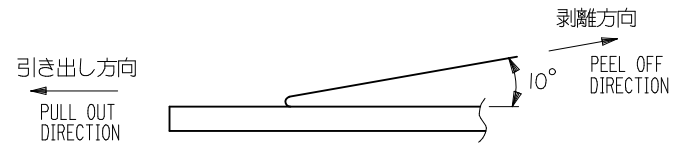
GENERAL TOLERANCES (UNLESS SPECIFIED)			DIMENSION STYLE		SCALE	DESIGN UNITS	THIRD ANGLE PROJECTION	
			MM ONLY		---	METRIC	◎ □	
0.25 UNDER	UNDER	± 0.03	DRAWN BY	DATE	TITLE			
0.25 OVER	0.5 UNDER	± 0.05	M. NAGATA	'04/01/09	0.5 FPC CONN ASSY ZIF			
0.5 OVER	1.0 UNDER	± 0.1	CHECKED BY	DATE	SMT RA BTM CONT E/O TYPE			
1.0 OVER	10 UNDER	± 0.2	K. TOJO	'04/01/09	-LEAD FREE-			
10 OVER	30 UNDER	± 0.25	APPROVED BY	DATE				
30 OVER		± 0.3	M. SASAO	'04/01/09				
ANGULAR ±3 °			MATERIAL NO.		DOCUMENT NO.		SHEET NO.	
DRAFT WHERE APPLICABLE MUST REMAIN WITHIN DIMENSIONS			SEE SHEET 1		SD-52893-040		2 OF 2	
			SIZE A3		THIS DRAWING CONTAINS INFORMATION THAT IS PROPRIETARY TO MOLEX ELECTRONIC TECHNOLOGIES, LLC AND SHOULD NOT BE USED WITHOUT WRITTEN PERMISSION			

注記 NOTES

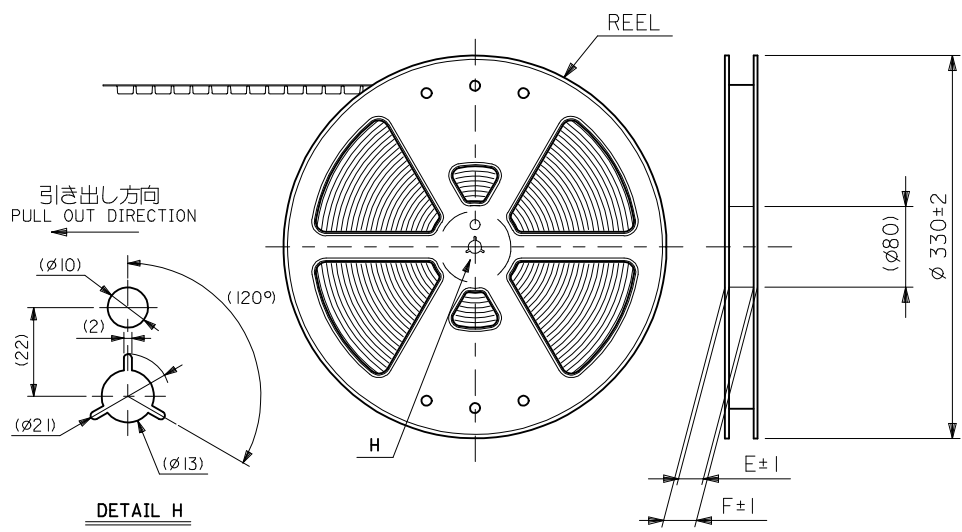
- 製品詳細寸法については図面 SD-52893-040 を参照下さい。
RE DETAILED DIMENSION, SEE SD-52893-040
- 梱包数量：1000個/リール
NUMBER OF CONNECTORS : 1000PCS/REEL
- リードテープ長さ LEAD TAPE LENGTH



- トップテープの剥離強度：0.1~1.3N(10 ~ 130gf)
(剥離方向は下図参照)
尚、本規格値は出荷時に適用。(但し、輸送時に剥離が発生しないこと。)
PEELING OFF FORCE OF TOP TAPE : 0.1~1.3N(10 ~ 130gf)
(PEELING DIRECTION AS SHOWN IN FOLLOWING FIG.)
THIS REQUIREMENT SHOULD BE APPLIED AT SHIPMENT.
PEEL OFF SHOULD NOT BE ALLOWED , DURING TRANSPORTATION.

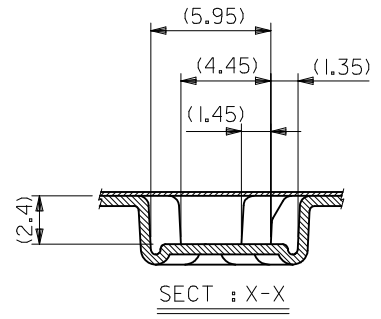
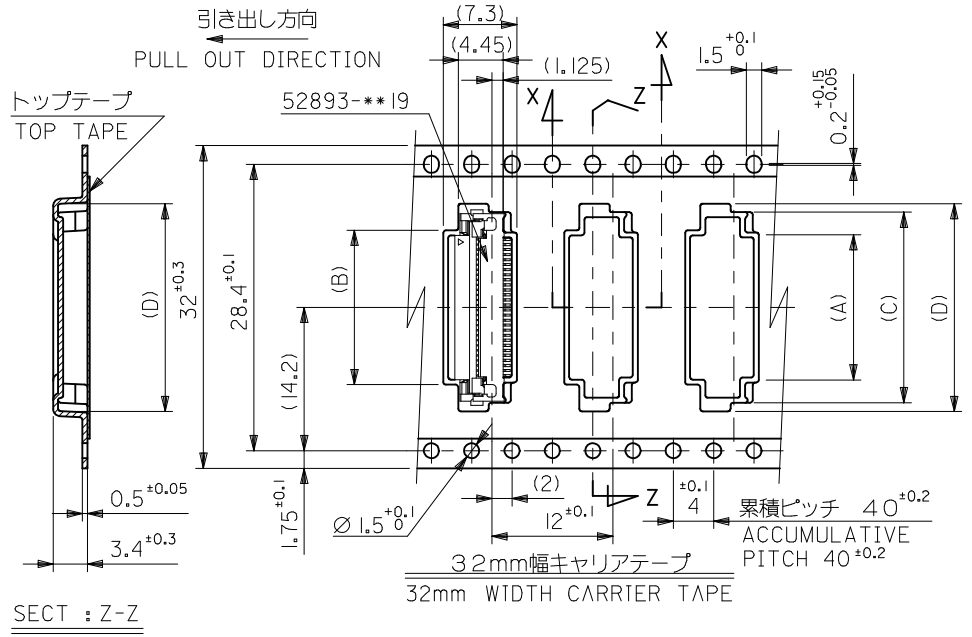
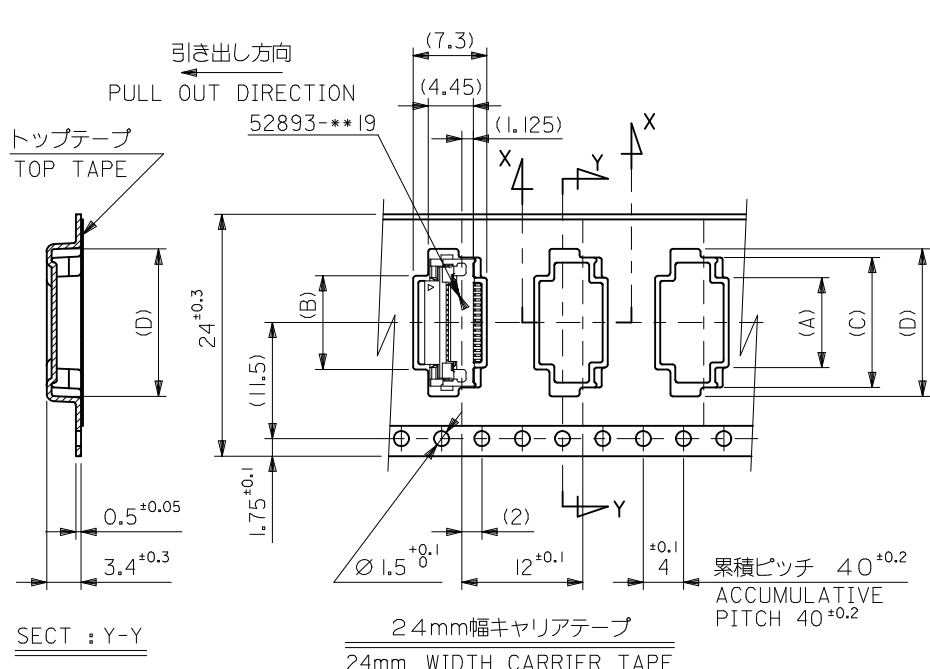


- 材料
キャリアテープ：ポリプロピレン (PP)
トップテープ：PET, PE, PEF
リール：ポリスチレン (PS) <リサイクル材を含む>
MATERIAL CARRIER TAPE:POLYPROPYLENE
TOP TAPE:PET,PE,PEF
REEL:POLYSTYRENE(PS)
<RECYCLE MATERIAL CONTAINED>
- 本製品は 52893-***90 の鉛フリー品である。
THIS PRODUCT IS LEAD FREE OF 52893-***90



DETAIL H

REVISED EC NO: J2016-0623 DRWN:SKITAZAWA 2015/12/11 CHKD:YKOBAYASHI 2016/02/15 APPR:TKUSUHARA01 2016/02/17	GENERAL TOLERANCES (UNLESS SPECIFIED)			DIMENSION STYLE MM ONLY		SCALE ---	DESIGN UNITS METRIC	THIRD ANGLE PROJECTION	
	0.25 UNDER	UNDER	±0.03	DRAWN BY	DATE	TITLE			
	0.25 OVER	0.5 UNDER	±0.05	M. NAGATA	'04/01/09	0.5 FPC CONN ASSY ZIF			
	0.5 OVER	1.0 UNDER	±0.1	CHECKED BY	DATE	-LEAD FREE- molex			
	1.0 OVER	10 UNDER	±0.2	K. TOJO	'04/01/09				
	10 OVER	30 UNDER	±0.25	APPROVED BY	DATE	MATERIAL NO.	DOCUMENT NO.	SHEET NO.	
30 OVER		±0.3			ENTER PART	SD-52893-041	1 OF 2		
ANGULAR ±3 °			DRAFT WHERE APPLICABLE MUST REMAIN WITHIN DIMENSIONS		SIZE A3	THIS DRAWING CONTAINS INFORMATION THAT IS PROPRIETARY TO MOLEX ELECTRONIC TECHNOLOGIES, LLC AND SHOULD NOT BE USED WITHOUT WRITTEN PERMISSION			



32	37.4	33.4	21.6	19.9	16.1	15.9	52893-3095	30
			20.6	18.9	15.1	14.9	-2895	28
			19.6	17.9	14.1	13.9	-2695	26
			18.6	16.9	13.1	12.9	-2495	24
24	29.4	25.4	17.6	15.9	12.1	11.9	-2295	22
			17.1	15.4	11.6	11.4	-2195	21
			16.6	14.9	11.1	10.9	-2095	20
			15.6	13.9	10.1	9.9	-1895	18
			14.6	12.9	9.1	8.9	-1695	16
			14.1	12.4	8.6	8.4	-1595	15
			13.6	11.9	8.1	7.9	-1495	14
			13.1	11.4	7.6	7.4	-1395	13
			12.6	10.9	7.1	6.9	-1295	12
			12.1	10.4	6.6	6.4	-1195	11
			11.6	9.9	6.1	5.9	-1095	10
			10.6	8.9	5.1	4.9	52893-0895	8
キャリアテープ幅 CARRIER TAPE WIDTH	F	E	(D)	(C)	(B)	(A)	MATERIAL NO.	極数 CIRCUIT

MODEL NO. 52893-***95

SCALE --- DESIGN UNITS METRIC

THIRD ANGLE PROJECTION

GENERAL TOLERANCES (UNLESS SPECIFIED)

0.25 UNDER	UNDER	±0.03
0.25 OVER	0.5 UNDER	±0.05
0.5 OVER	1.0 UNDER	±0.1
1.0 OVER	10 UNDER	±0.2
30 OVER		±0.25
ANGULAR	±3 °	

DIMENSION STYLE MM ONLY

DRAWN BY M. NAGATA DATE '04/01/09

CHECKED BY K. TOJO DATE '04/01/09

APPROVED BY DATE

TITLE 0.5 FPC CONN ASSY ZIF

-LEAD FREE-

molex

MATERIAL NO. ENTER PART DOCUMENT NO. SD-52893-041 SHEET NO. 2 OF 2

DRAFT WHERE APPLICABLE MUST REMAIN WITHIN DIMENSIONS

SIZE A3 THIS DRAWING CONTAINS INFORMATION THAT IS PROPRIETARY TO MOLEX ELECTRONIC TECHNOLOGIES, LLC AND SHOULD NOT BE USED WITHOUT WRITTEN PERMISSION