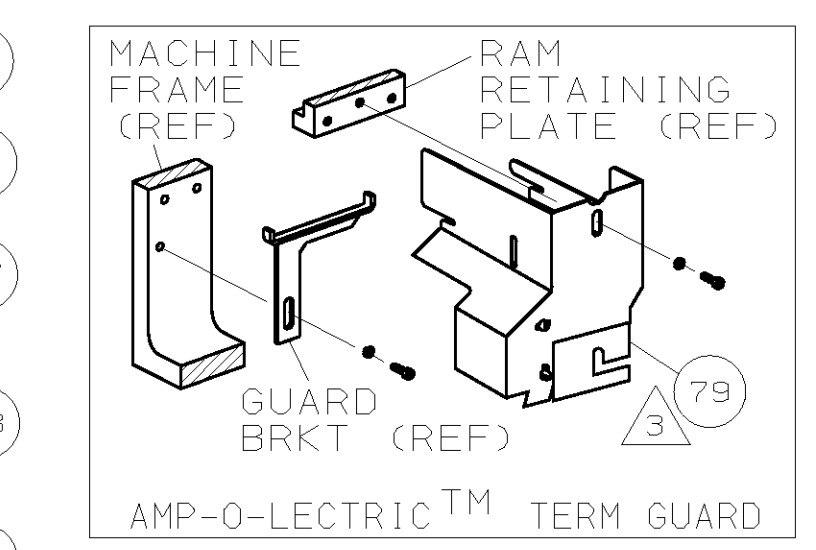
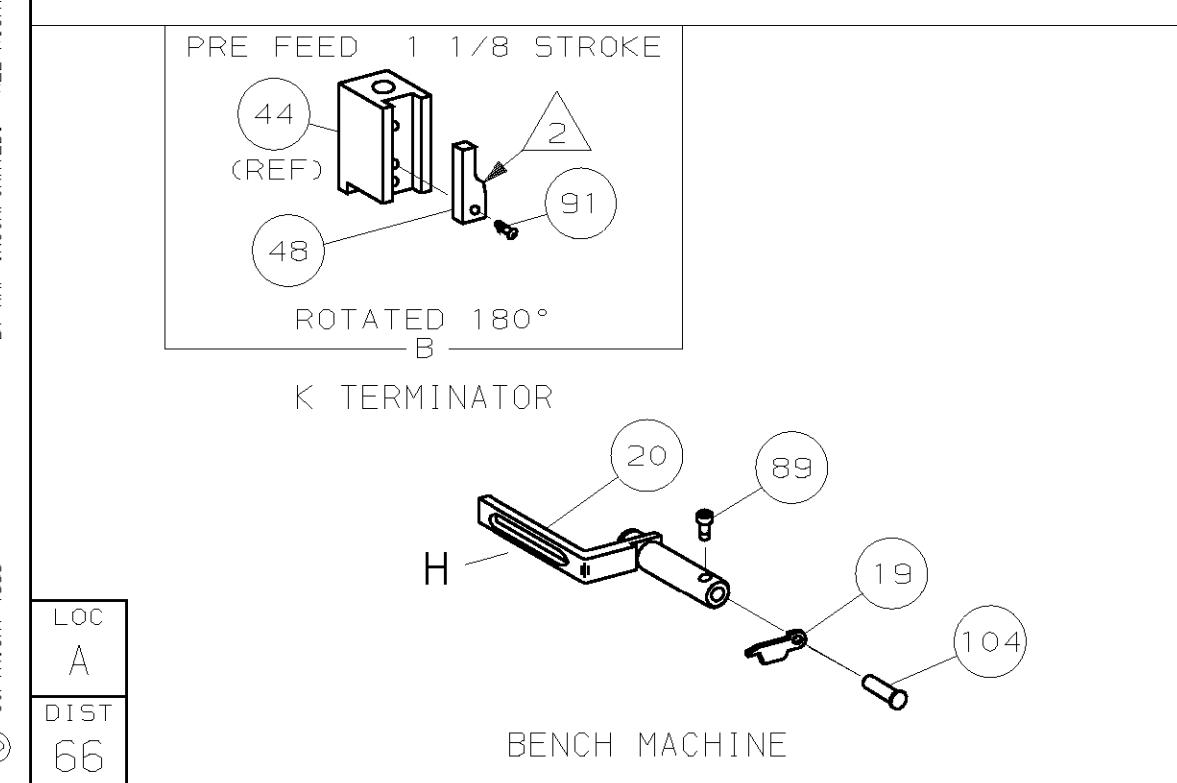
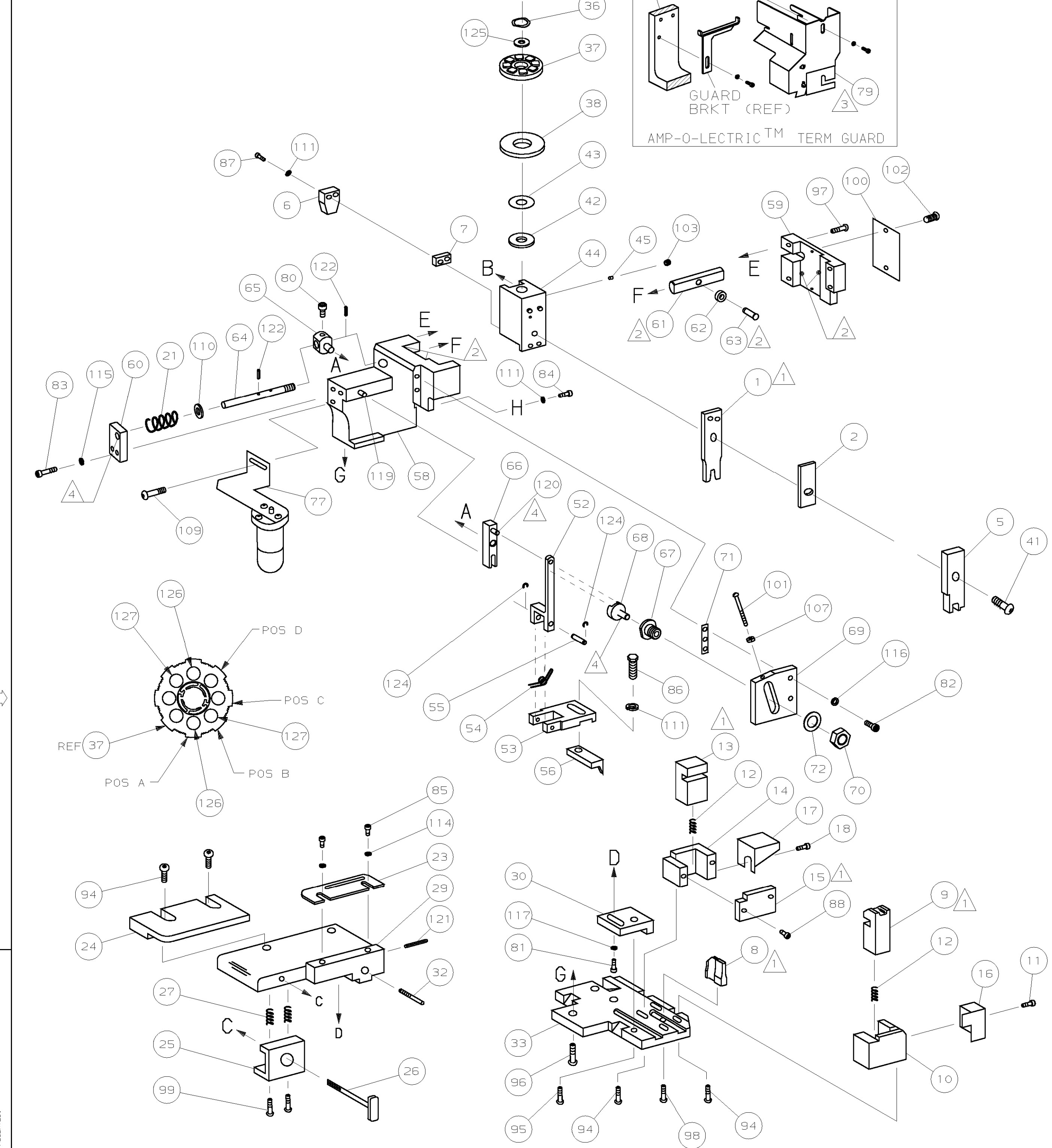


PART NUMBER	REV	FIRST USED
466433-3	C	565435-5



- 1 RECOMMENDED SPARE PARTS.
- 2 GREASE LIGHTLY.
- 3 GUARD MUST BE IN PLACE WHEN OPERATING APPLICATOR IN A BENCH MACHINE.
- 4 LUBRICATE DAILY USING NO. 20 MACHINE OIL.
- 5. ITEMS WITH QTY OF REF SPECIFIED (EXCEPT ITEM 79) ARE USED ON ITEM 46.
- 6 LUBRICATION REQUIRED WITH NICKEL PLATED TERMINALS.

TERMINAL NAME: SHUR PLUG™		CRIMPING DATA	
PAD LTR	CRIMP HEIGHT	WIRE SIZE	
A	.100 ±.002 [2.54 ±0.05mm]	10	
B	.083 ±.002 [2.11 ±0.05mm]	12	
C	NOT	USED	
D	NOT	USED	
CRIMP	SIZE	TYPE	RANGE
WIRE	.155 [3.94mm]	F	12-10
INSUL	-	-	-

WIRE STRIP LENGTH	TERM APPL SPEC	FEED	APPL INSTRUCTION	SET UP GAGE	LAYOUT
-	-	.626	408-8040	458637-1	142

QTY	REF	U/M	DWG SIZE	PART NO	DESCRIPTION	ITEM NO
1	-	-	-	129		129
2	-	C	-	8-354778-2	PIN, WIRE DISC (.2905)B	127
2	-	C	-	3-354778-9	PIN, WIRE DISC (.2690)A	126
1	-	A	-	986950-1	WASHER, FLAT PRECISION	125
REF	-	A	-	21045-3	RING, RET "C" (Ø.187) FD FING PIN	124
REF	-	A	-	5-21028-1	PIN, SLT SPR (Ø.125x.50) ADJ ROD	123
1	-	A	-	4-21028-0	PIN, SLT SPR (Ø.093x.75) ST GDE PL	121
REF	-	A	-	1-21030-1	PIN, DOWEL (Ø.187x.50) LEVER	120
REF	-	A	-	1-21030-6	PIN, DOWEL (Ø.187x1.25) HOUSING	119
1	-	A	-	21024-5	WASHER, LOCK (#10) ADJ BLOCK	117
REF	-	A	-	21024-5	WASHER, LOCK (#10) ADJ PLATE	116
REF	-	A	-	21024-5	WASHER, LOCK (#10) FEED GDE ROD	115
2	-	A	-	21024-2	WASHER, LOCK (#4) FRONT STP GUIDE	114
4	-	A	-	21024-4	WASHER, LOCK (#8) STRIPPER	111
REF	-	A	-	21899-4	WASHER, FLAT (Ø5/16) SCREW ADJ	110
1	-	A	-	2-21002-6	SCR, BHC (10-32x.38) LUBE ASSY	109
REF	-	A	-	21018-5	NUT, HEX (6-32) FEED ADJ	107
1	-	A	-	992031-1	PIN, CLEVIS	104
1	-	A	-	21009-2	SCR, SKT SET (1/4-20x.25 LW) RAM	103
2	-	A	-	21017-2	SCR, DRIVE (#2x.19) ID PLATE	102
REF	-	A	-	6-23715-5	SCR, PAN HD (6-32x1.50) FEED ADJ	101
1	-	B	-	461264-1	PLATE, IDENTIFICATION	100
2	-	A	-	3-21002-0	SCR, BHC (10-32x.88) DRAG	99
1	-	A	-	22733-8	SCR, BHC (8-32x.38 LW) ANVIL	98
REF	-	A	-	2-21002-9	SCR, BHC (10-32x.75) CAP	97
REF	-	A	-	2-22733-8	SCR, BHC (1/4-20x.62) HOUSING	96
REF	-	A	-	2-21002-7	SCR, BHC (10-32x.50) 5G ADJ BLOCK	95
6	-	A	-	2-21002-2	SCR, BHC (8-32x.50) SHEAR	94
1	-	A	-	1-21002-7	SCR, BHC (6-32x.38) CAM	91
1	-	A	-	7-21000-9	SCR, SHC (4-40x.19) STRIPPER	89
2	-	A	-	1-21000-9	SCR, SHC (6-32x.25) R SHEAR PLATE	88
2	-	A	-	3-21000-0	SCR, SHC (8-32x.88) DEP-HOLD	87
1	-	A	-	2-22603-0	SCR, HEX HD (8-32x.31) FEED FINGER	86
2	-	A	-	1-21000-3	SCR, SHC (4-40x.25) F ST GUIDE	85
1	-	A	-	2-21000-7	SCR, SHC (8-32x.50) STRIPPER	84
REF	-	A	-	3-21000-7	SCR, SHC (10-32x.75) FEED ROD 6D	83
REF	-	A	-	3-21000-6	SCR, SHC (10-32x.62) FD ADJ BLK	82
1	-	A	-	3-21000-4	SCR, SHC (10-32x.38) 5G ADJ BL	81
REF	-	A	-	3-21000-4	SCR, SHC (10-32x.38) PIVOT BLK	80
REF	-	B	-	455749-1	GUARD, WINDOW	79
1	-	C	-	1-465184-0	LUBRICATOR ASSY	77
REF	-	A	-	458109-1	WASHER, SPECIAL	74
REF	-	A	-	690517-1	SPACER	71

QTY	REF	U/M	DWG SIZE	PART NO	DESCRIPTION	ITEM NO
-3	-	-	-			

QTY REOD PER ASSY		PARTS LIST	

-3 BENCH MODEL K MECH PRE FEED

REF	QTY	U/M	DWG SIZE	PART NO	DESCRIPTION	ITEM NO
REF	-	B	-	22594-8	NUT, HEX (1/2-20)	70
REF	-	B	-	240628-1	PLATE, ADJUSTMENT	69
REF	-	B	-	240626-1	SHAFT, PIVOT	68
REF	-	B	-	240633-1	BUSHING	67
REF	-	A	-	455680-1	LEVER, INTERMEDIATE	66
REF	-	B	-	240629-1	BLOCK, PIVOT	65
REF	-	A	-	240632-2	SCREW, ADJ FEED ROD	64
REF	-	B	-	240659-3	PIN, CAM ROLLER	63
REF	-	B	-	240658-1	ROLLER, CAM	62
REF	-	B	-	454398-2	ROD, FEED	61
REF	-	A	-	454178-1	GUIDE, FEED ROD	60
REF	-	C	-	454220-1	CAP, RAM	59
REF	-	D	-	454485-1	HOUSING	58
1	-	B	-	458537-2	PAWL, FEED	56
REF	-	B	-	240624-1	PIN, FEED FINGER	55
REF	-	B	-	691499-1	SPRING, FEED FINGER	54
REF	-	B	-	690541-1	HOLDER, FEED FINGER	53
REF	-	A	-	455679-1	LEVER, TERMINAL FEED ARM	52
1	-	A	-	7-21002-9	BOLT, CRIMPER (5/16x1.00)	49
1	-	B	-	690602-5	CAM, PRE-FEED 1 1/8 ST	48
1	-	B	-	459456-1	APPLICATOR, BASIC (SUBASSY)	46
1	-	A	-	690191-1	PLUG, NYLON	45
1	-	C	-	455673-1	RAM	44
1	-	A	-	690125-1	WASHER, LAMINATED	43
1	-	A	-	690124-1	WASHER, RAM	42
1	-	A	-	690223-2	SPACER, INSULATION DISC	41
1	-	D	-	354777-1	WIRE DISC, PLASTIC	37
1	-	A	-	22480-5	WASHER, SPRING	36
1	-	B	-	690212-1	POST, RAM	35
REF	-	D	-	455675-1	PLATE, BASE	33
1	-	A	-	690432-3	SCREW, ADJUSTMENT	32
REF	-	B	-	455689-1	BLOCK, STRIP GUIDE ADJ	30
1	-	C	-	455671-1	PLATE, STRIP GUIDE	29
2	-	A	-	1-22284-0	SPRING, DRAG	27
1	-	B	-	690546-1	LEVER, DRAG RELEASE	26
1	-	B	-	240792-5	DRAG, TERMINAL	25
1	-	D	-	2-690504-8	GUIDE, STRIP (REAR)	24
1	-	A	-	693855-1	GUIDE, STRIP (FRONT)	23
1	-	B	-	690461-1	STOP, SHEAR, REAR	22
REF	-	A	-	4-22284-9	SPRING, FEED RETURN	21
1	-	A	-	679218-1	STRIPPER WIRE STOP ASSY	20
1	-	B	-	458949-1	STRIPPER	19
1	-	A	-	691668-1	GUARD, CHIP (REAR)	17
1	-	B	-	691667-1	GUARD, CHIP (FRONT)	16
1	-	B	-	690691-2	PLATE, SHEAR (REAR)	15
1	-	B	-	690462-1	HOLDER, SHEAR (REAR)	14
1	-	C	-	690463-1	SHEAR, FLOAT (REAR)	13
2	-	A	-	5-22280-0	SPRING, SHEAR	12
1	-	B	-	690461-7	STOP, SHEAR, FRONT	11
1	-	C	-	1-690459-0	HOLDER, SHEAR (FRONT)	10
1	-	C	-	454276-5	SHEAR, FLOAT (FRONT)	9
1	-	C	-	5-683403-7	ANVIL	8
1	-	C	-	2-240641-6	SPACER, DEPRESSOR (REAR)	7
1	-	A	-	690468-1	DEPRESSOR, SHEAR (REAR)	6
1	-	C	-	1-455889-6	DEPRESSOR, SHEAR (FRONT)	5
1	-	C	-	455888-6	SPACER, CRIMPER	2
1	-	C	-	456415-2	CRIMPER, WIRE	1

QTY	REF	U/M	DWG SIZE	PART NO	DESCRIPTION	ITEM NO
-3	-	-	-			

QTY REOD PER ASSY		PARTS LIST	

00779 CUSTOMER AND ASSEMBLY DRAWING

THIS DRAWING IS A CONTROLLED DOCUMENT.

THIS DRAWING IS UNCLASSIFIED DATE 2/28/1995 BY AMP INCORPORATED. ALL RIGHTS RESERVED.