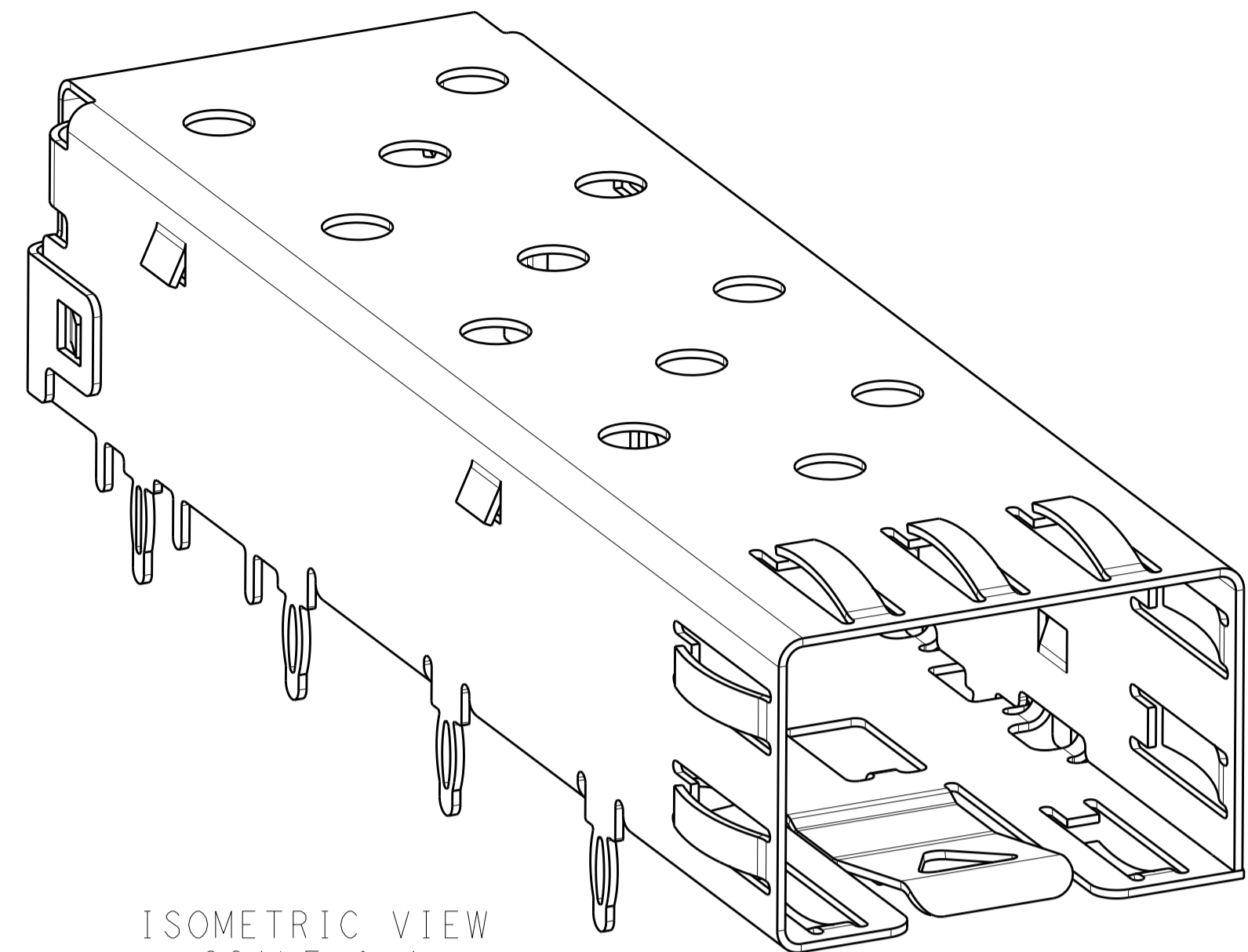
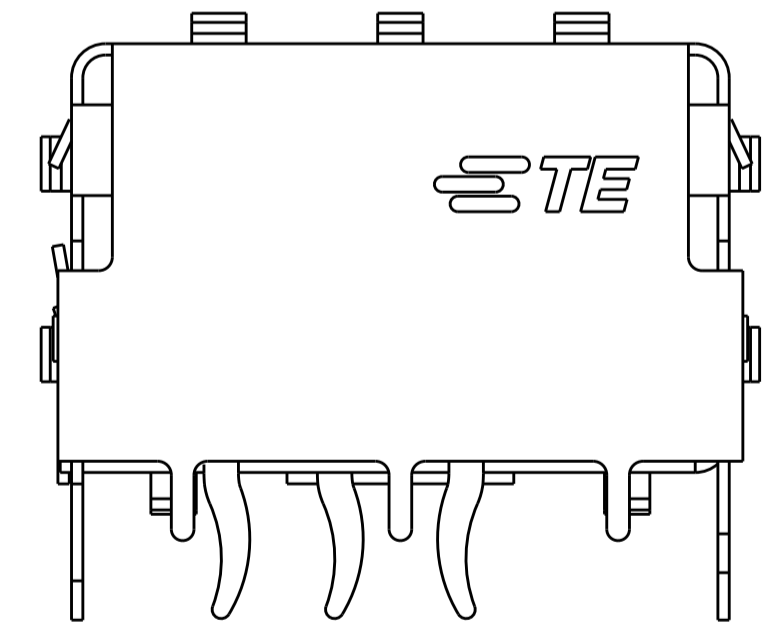
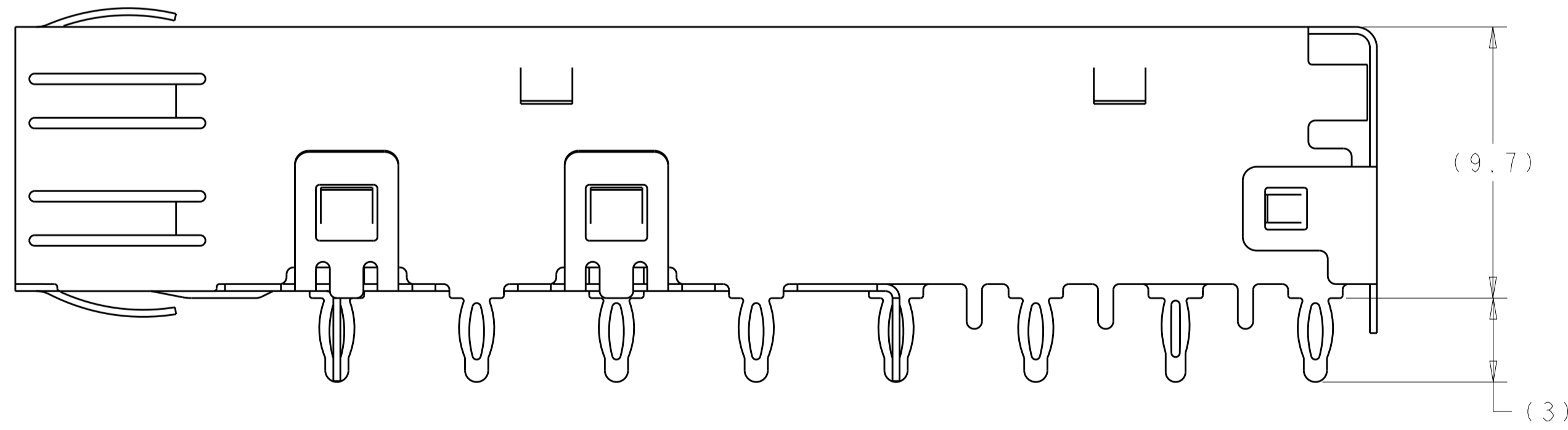
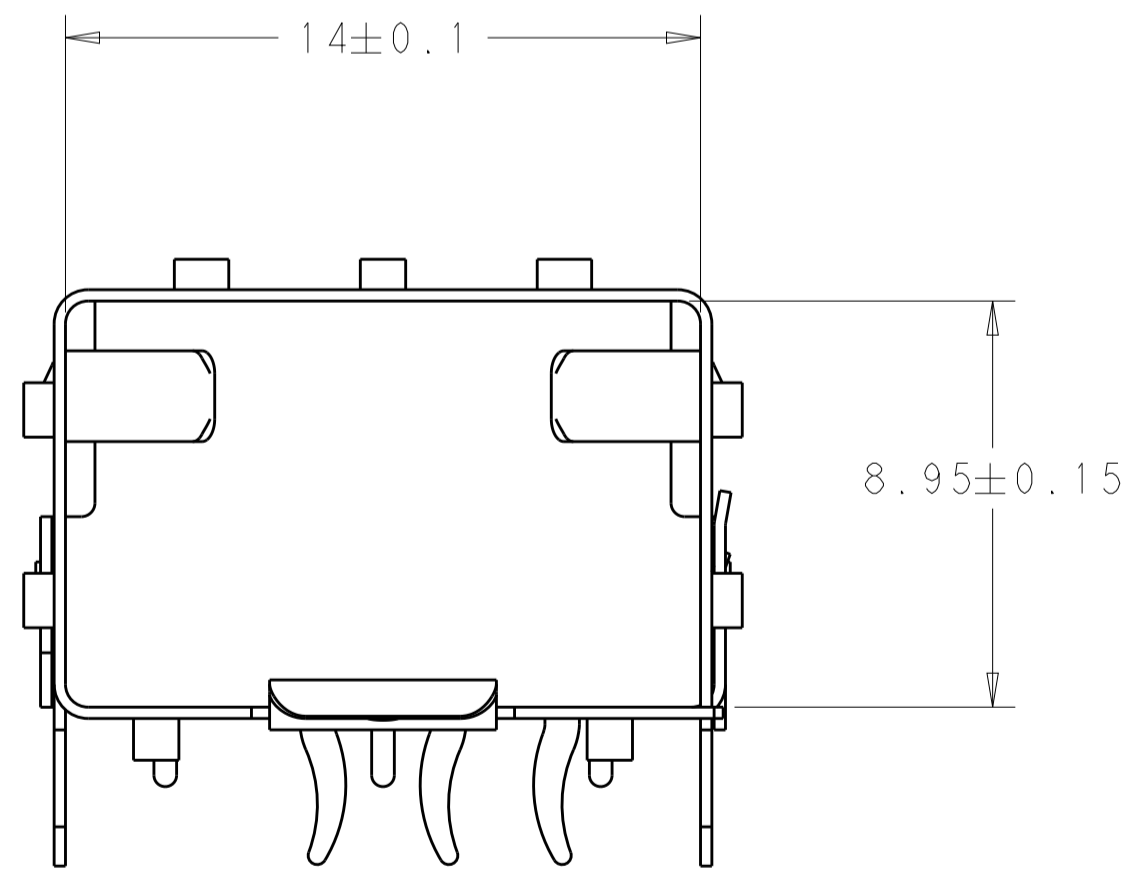
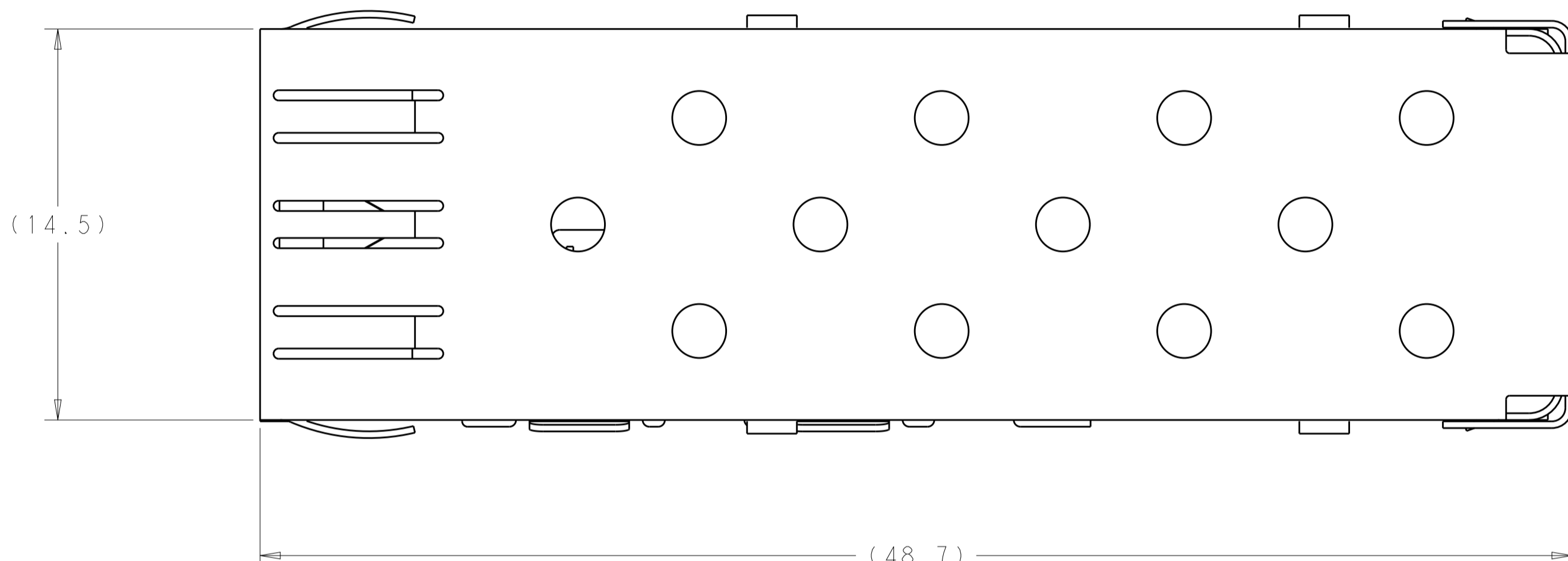


LOC	DIST	REVISIONS					
GP	00	P	LTN	DESCRIPTION	DATE	DWN	APVD
		A		INITIAL RELEASE	20MAY2014	JW	SH
		A1		REVISED PER ECO-15-000822	19JAN2015	JW	SH
		A2		REVISED PER ECO-16-014131	28SEP2016	JW	SH



ISOMETRIC VIEW  
SCALE: 6:1

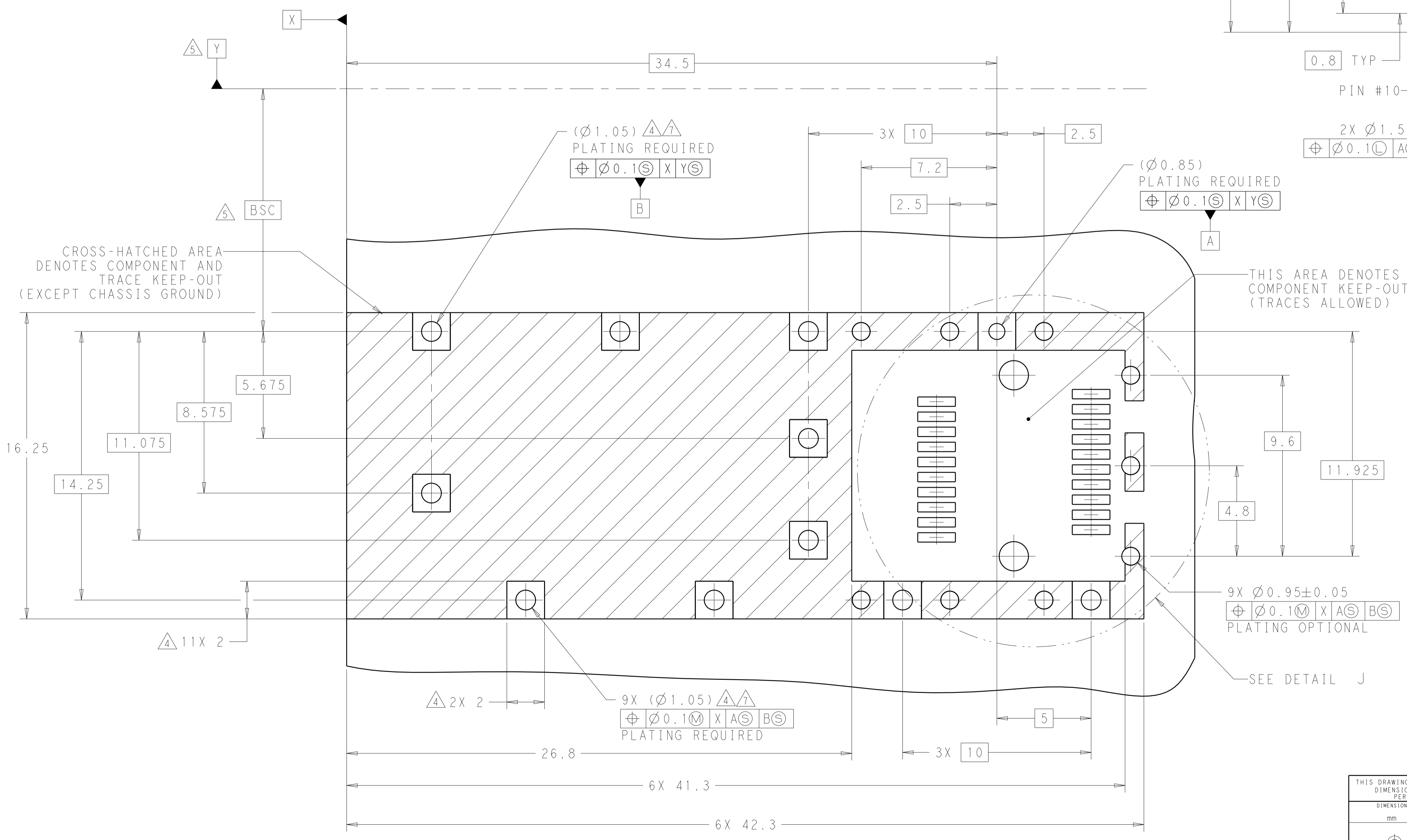
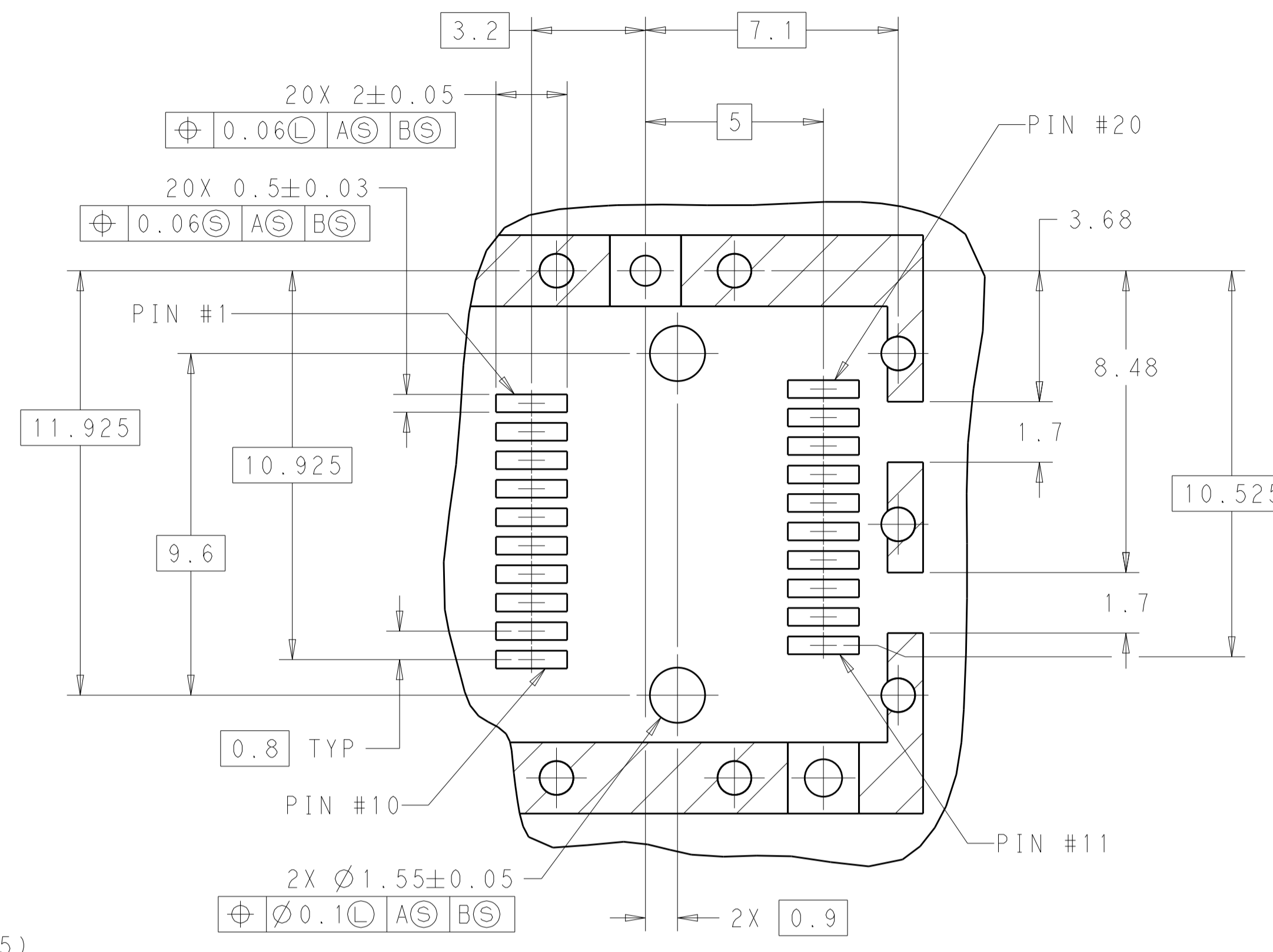
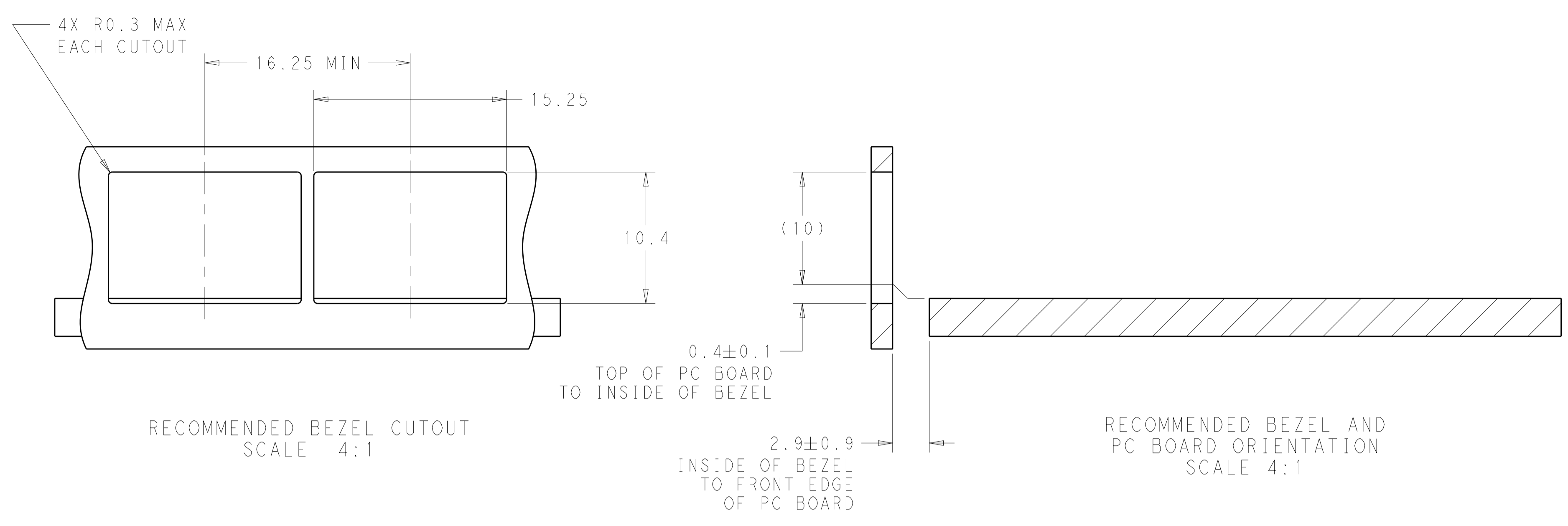
- 1 MATERIAL: 0.25mm THICK STAINLESS STEEL.
- 2 FINISH: 0.00125mm NICKEL OVER ALL, NON-PLATED EDGES PERMISSIBLE.
- 3. MATES WITH SFP MSA COMPLIANT TRANSCEIVERS.
- 4 PADS AND VIAS CHASSIS GROUND.
- 5 DATUM AND BASIC DIMENSION ESTABLISHED BY CUSTOMER.
- 6. MINIMUM PC BOARD THICKNESS:  
 SINGLE SIDED = 1.50 mm  
 DOUBLE SIDED = 3.00 mm
- 7 REFERENCE APPLICATION SPEC. 114-13120, HOLE A, FOR RECOMMENDED DRILL HOLE DIAMETER AND PLATING THICKNESS(EXCEPT IMMERSION SILVER PLATING).
- 8 REFERENCE APPLICATION SPEC. 114-13120, HOLE C, FOR RECOMMENDED DRILL HOLE DIAMETER AND PLATING THICKNESS(EXCEPT IMMERSION SILVER PLATING).
- 9. THE RECOMMENDED DIMENSIONS FOR HOLES ON PAGE 2/2 ARE NOT COMPATIBLE WITH IMMERSION SILVER PLATING HOLES BECAUSE OF OVERLARGE INSERTION FORCE.
- 10 ESD PROTECTION TRAY PACKAGE.



2227302-3  
 2227302-1  
 PART NUMBER

THIS DRAWING IS A CONTROLLED DOCUMENT. DIMENSIONING AND TOLERANCING PER ASME Y14.5M-2009		DWN: C. VALENTINE 07NOV2012 CHK: M. SCHMITT 07NOV2012 APVD: M. SCHMITT 07NOV2012	TE Connectivity	
DIMENSIONS: mm	TOLERANCES UNLESS OTHERWISE SPECIFIED:	NAME: SFP, 1X1 SINGLE PIECE CAGE, 11 PRESS FIT	SIZE: A1	RESTRICTED TO:
0 PLC ±0.1	1 PLC ±0.1	PRODUCT SPEC: 108-1950	CAGE CODE: 2227302	
2 PLC ±0.1	3 PLC ±0.1	APPLICATION SPEC: 114-13120	SCALE: 6:1	
4 PLC ±0.1	ANGLES ±°	WEIGHT: -	SHEET 1 OF 2	REV: A2
MATERIAL: -	FINISH: -	Customer Drawing		

LOC	DIST	REV	DESCRIPTION	DATE	DWN	APVD
GP	00		SEE SHEET 1			



THIS DRAWING IS A CONTROLLED DOCUMENT. DIMENSIONING AND TOLERANCING PER ASME Y14.5M-2009		DWN: C. VALENTINE 07NOV2012 CHK: M. SCHMITT 07NOV2012 APVD: M. SCHMITT 07NOV2012	TE Connectivity	
DIMENSIONS: mm		PRODUCT SPEC: 108-1950	NAME: SFP, 1X1 SINGLE PIECE CAGE, 11 PRESS FIT	
TOLERANCES UNLESS OTHERWISE SPECIFIED:		APPLICATION SPEC: 114-13120	SIZE: A1	
0 PLC ±0.1		WEIGHT: -	CAGE CODE: -	
1 PLC ±0.1		SCALE: 1:1	SHEET 2 OF 2	
2 PLC ±0.1		Customer Drawing	REV: A2	
3 PLC ±0.1				
4 PLC ±0.1				
ANGLES: ±°				
FINISH: -				