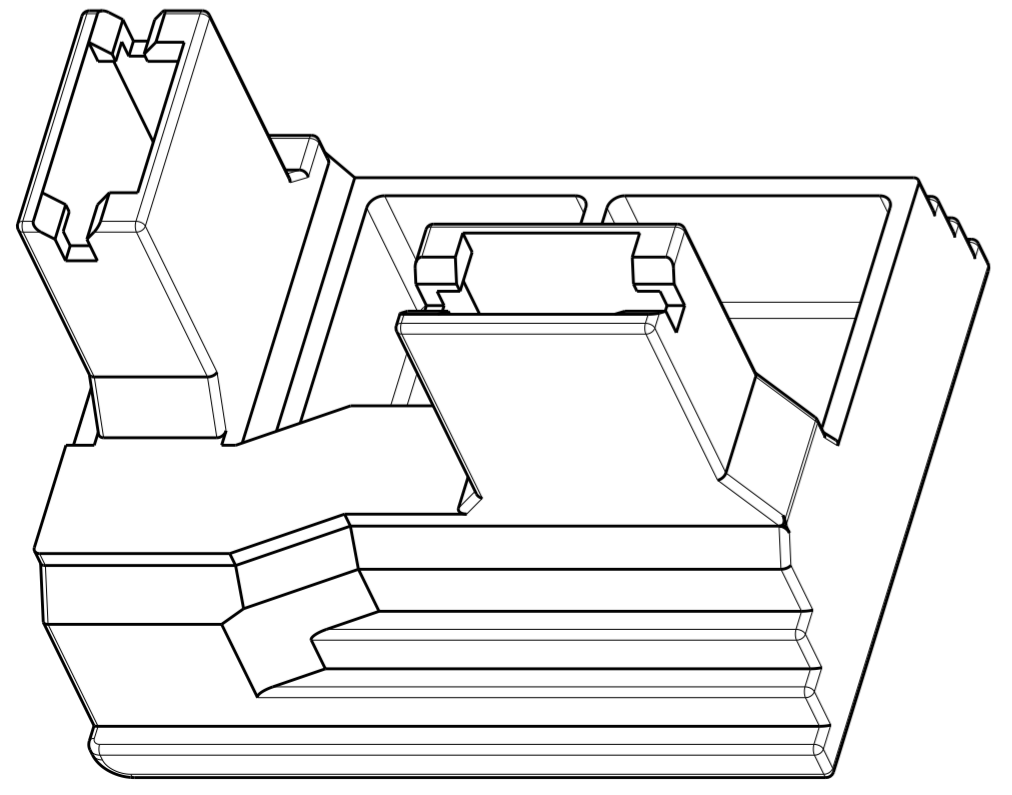
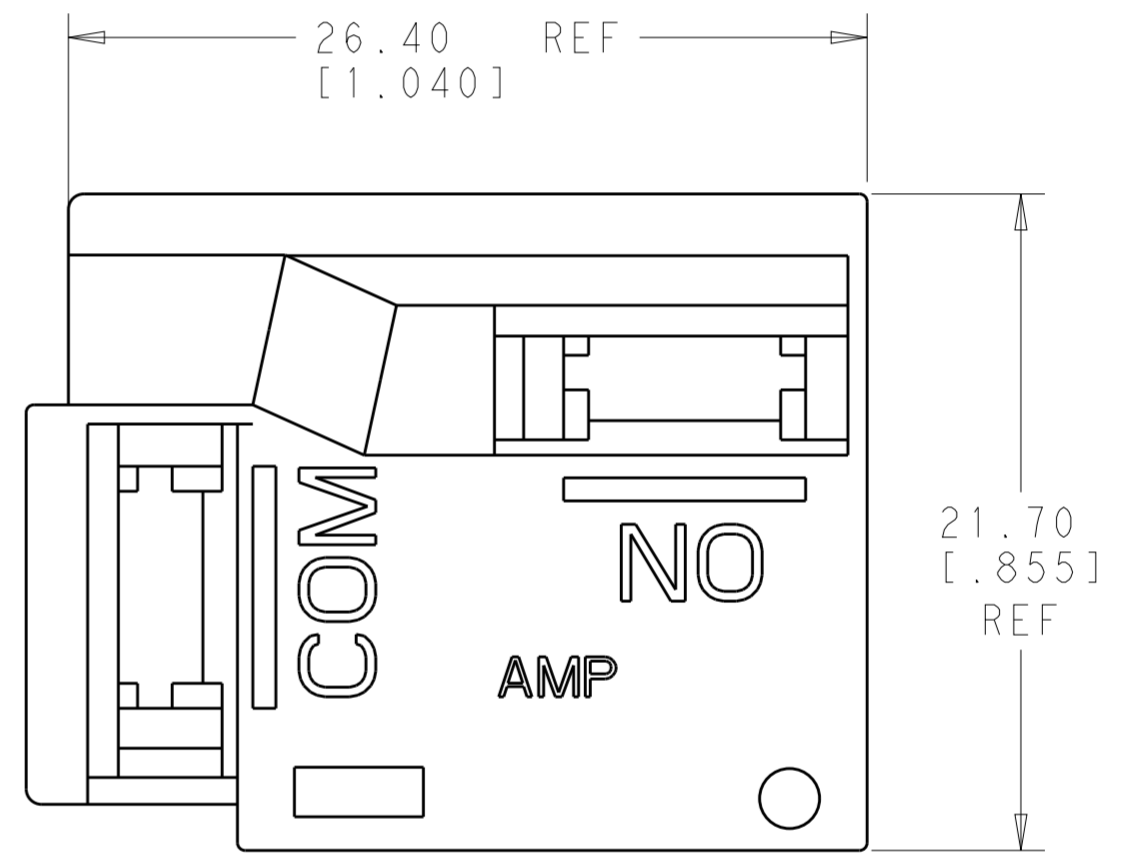
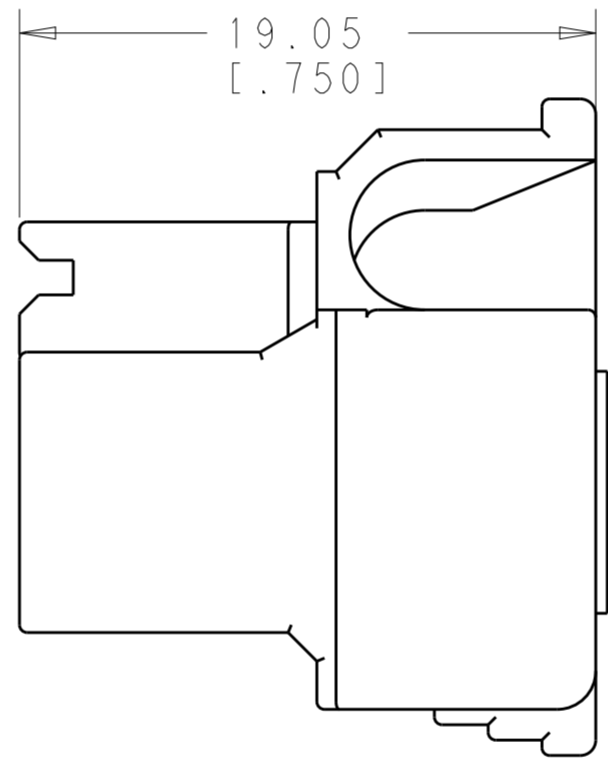
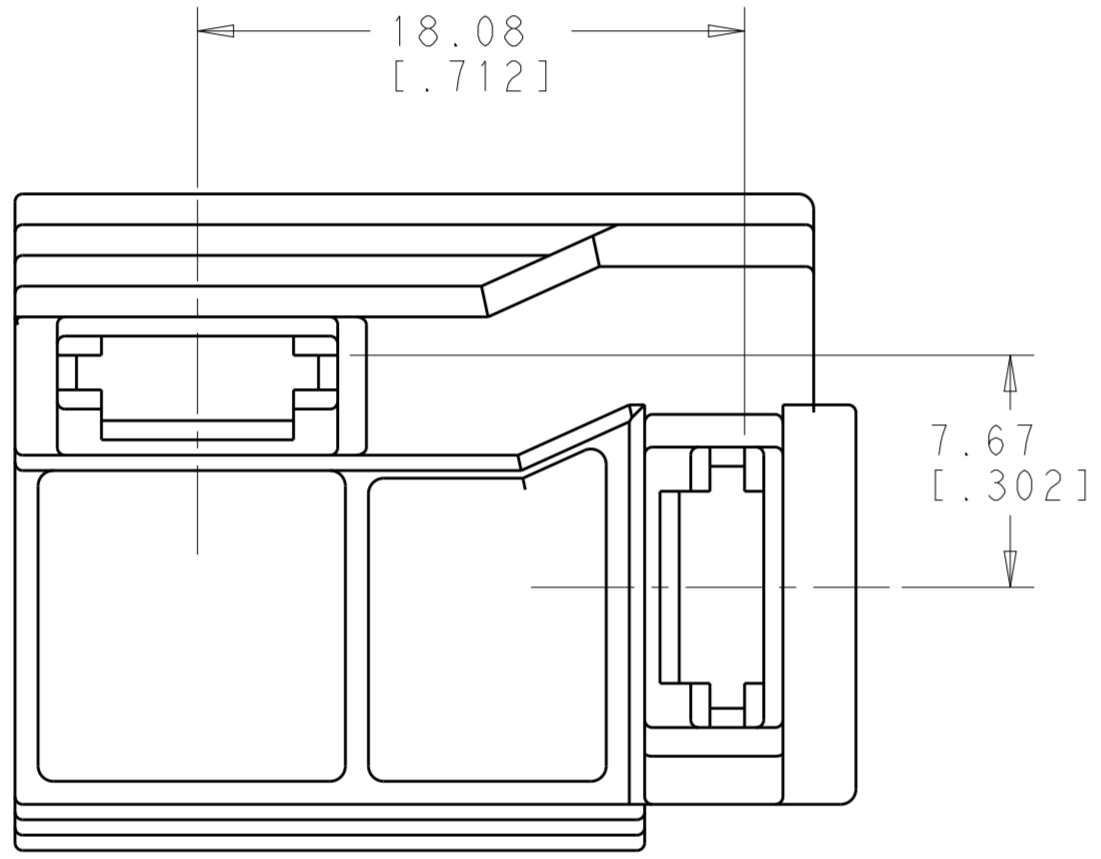
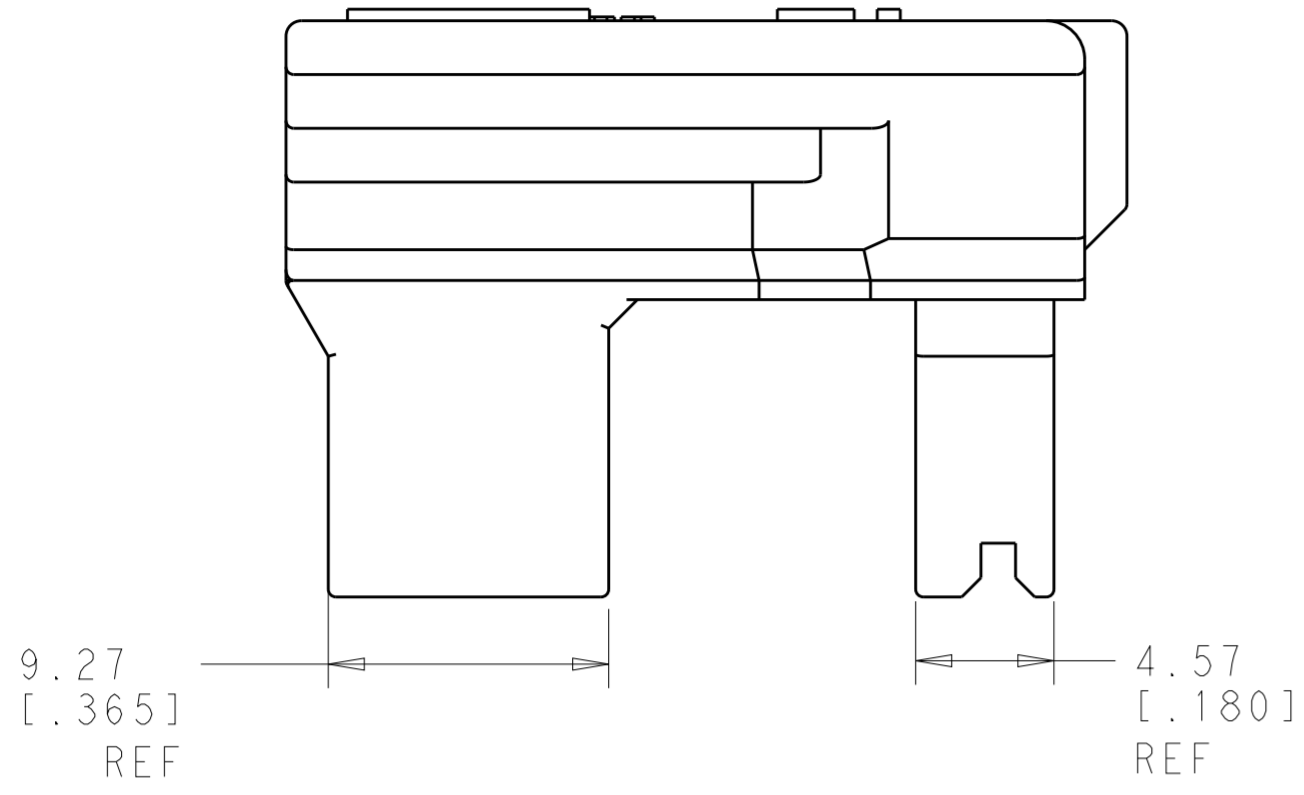


THIS DRAWING IS UNPUBLISHED. RELEASED FOR PUBLICATION 20  
 © COPYRIGHT 20 BY - ALL RIGHTS RESERVED.

REVISIONS				
P	LTR	DESCRIPTION	DATE	APVD
B		REVISED PER ECR-18-006282	05JUN2018	BDA DS

- 1 THIS PART ACCEPTS TERMINAL 63445, 18-12 GAUGE WIRE.
- 2 FOR PROPER ENGAGEMENT THE MATING TAB MUST HAVE A MIN OF .375 USEABLE LENGTH.
- 3 OBSOLETE PARTS



3 SUPERSEDED BY 1969422-2	NATURAL	66 Nylon VO Natural	1969422-2
	-	-	<del>1969422-1</del>
	COLOR	MATERIAL	PART NO.

THIS DRAWING IS A CONTROLLED DOCUMENT.		DWN JR RUTH 27JAN2011	<b>STE</b> TE Connectivity	
DIMENSIONS: mm [INCHES]		CHK PETE DESANTIS 27JAN2011		
TOLERANCES UNLESS OTHERWISE SPECIFIED:		APVD PETE DESANTIS 27JAN2011	NAME HOUSING, RECEPTACLE, FLAG FASTON, 6.35 [.250] SERIES, 2 POSITION	
0 PLC ±		PRODUCT SPEC -	SIZE CAGE CODE DRAWING NO RESTRICTED TO	
1 PLC ±		APPLICATION SPEC -	A200779 C-1969422	
2 PLC ±0.25 [.010]		WEIGHT -	SCALE 4:1 SHEET 1 OF 1 REV B	
3 PLC ±		CUSTOMER DRAWING		
4 PLC ±				
ANGLES ±				
FINISH				
MATERIAL NYLON, VO material_2				
COLOR-NATURAL finish_spec_2				