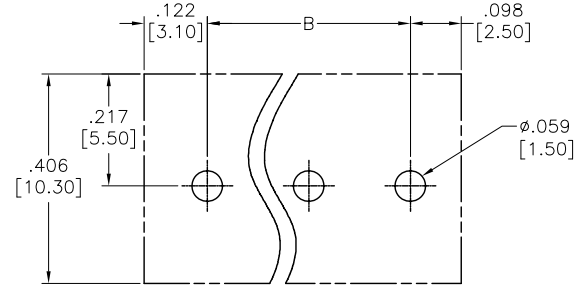
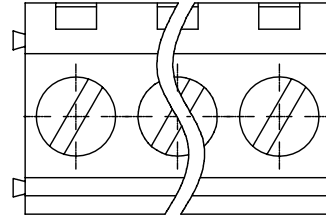
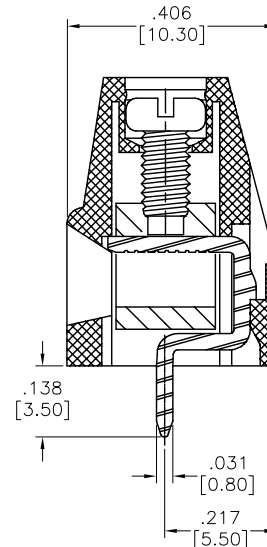
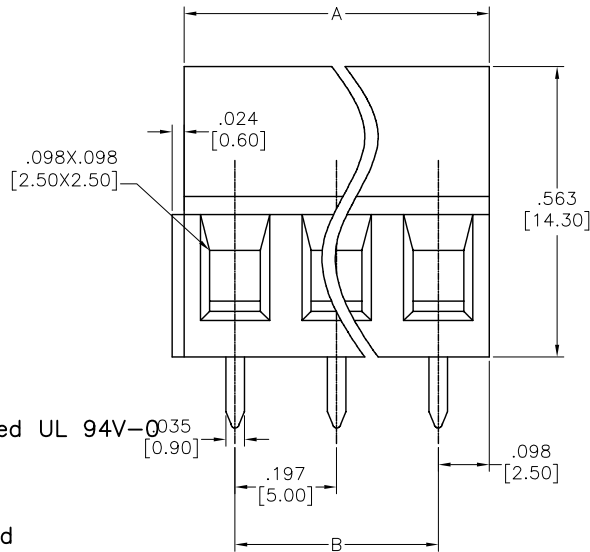


APPROVED: _____
 DATE: _____ TITLE: _____

Rev	AWO #	Description	Date	Appr
-		RELEASED	7/24/08	
A		REDRAWN	1/12/12	



RECOMMENDED PCB LAYOUT



Positions: 2 thru 24
 A = .197 [5.00] x No. of Positions
 B = .197 [5.00] x No. of Spaces

	Tolerance
2-6P	±.006 [0.15]
7-12P	±.008 [0.20]
13-18P	±.012 [0.30]
19-24P	±.016 [0.40]

SPECIFICATIONS:
 Material:
 Insulator: Thermoplastic, rated UL 94V-0⁰³⁵
 Insulator color: Green
 Clamp: Brass, Nickel plated
 Contact: Brass, Tin plated
 Screw: Steel, M2.5/Zn plated
 Electrical:
 Operation voltage: 300 VAC
 Current rating: 10 Amps
 Withstanding Voltage: 1.6KV
 Mechanical :
 Solid wire(AWG): 12-22
 Stranded wire(AWG): 12-22
 Torque(Lb-In): 3.5
 Wire strip length(mm): 6-7
 Temperature Rating:
 Operating temperature: -40°C to +115°C
 Environmental:
 Lead free, RoHS compliant.



UNLESS OTHERWISE SPECIFIED
 ALL DIMENSIONS ARE MM [INCHES]
 TOLERANCES: EXCEPT AS NOTED

INCHES	HOLES
.X ± .10	Ø.X ± .10
.XX ± .020	Ø.XX ± .015
.XXX ± .015	Ø.XXX ± .010

ADAM TECH

909 Rahway Avenue, Union, NJ 07083
 Phone: 908-687-5000 Fax: 908-687-5710

TITLE		MODULAR EURO BLOCK, VERTICAL, .197" [5.00] PITCH	
SIZE	PART NO.	REV.	
X	EBAC-XX-C	A	
REF:	S00007T	SCALE:	NTS
		SHEET 1 OF 1	

APPROVALS		DATE
DRAWN	DY	7/24/08
CHECKED		
APPROVED		