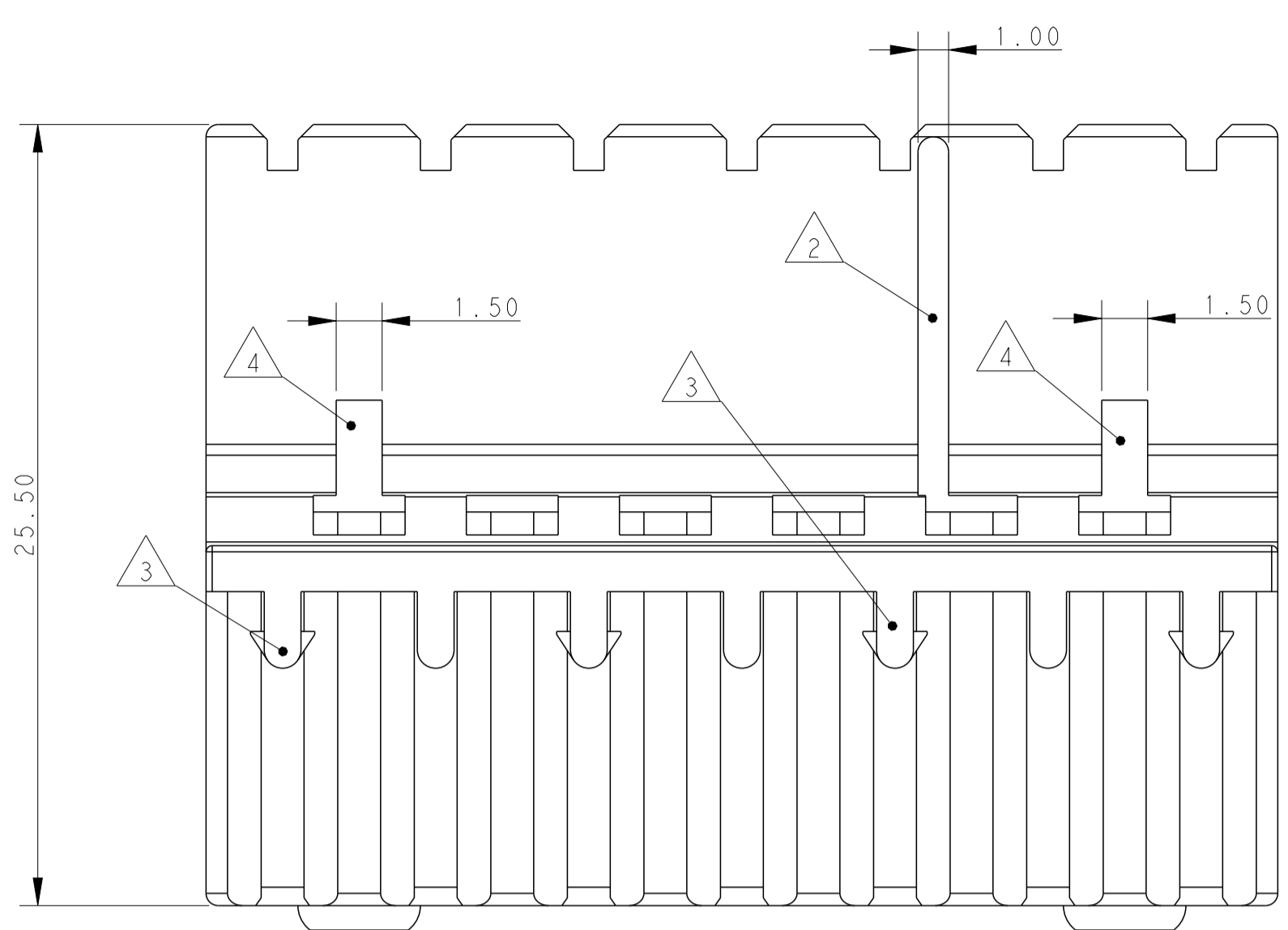
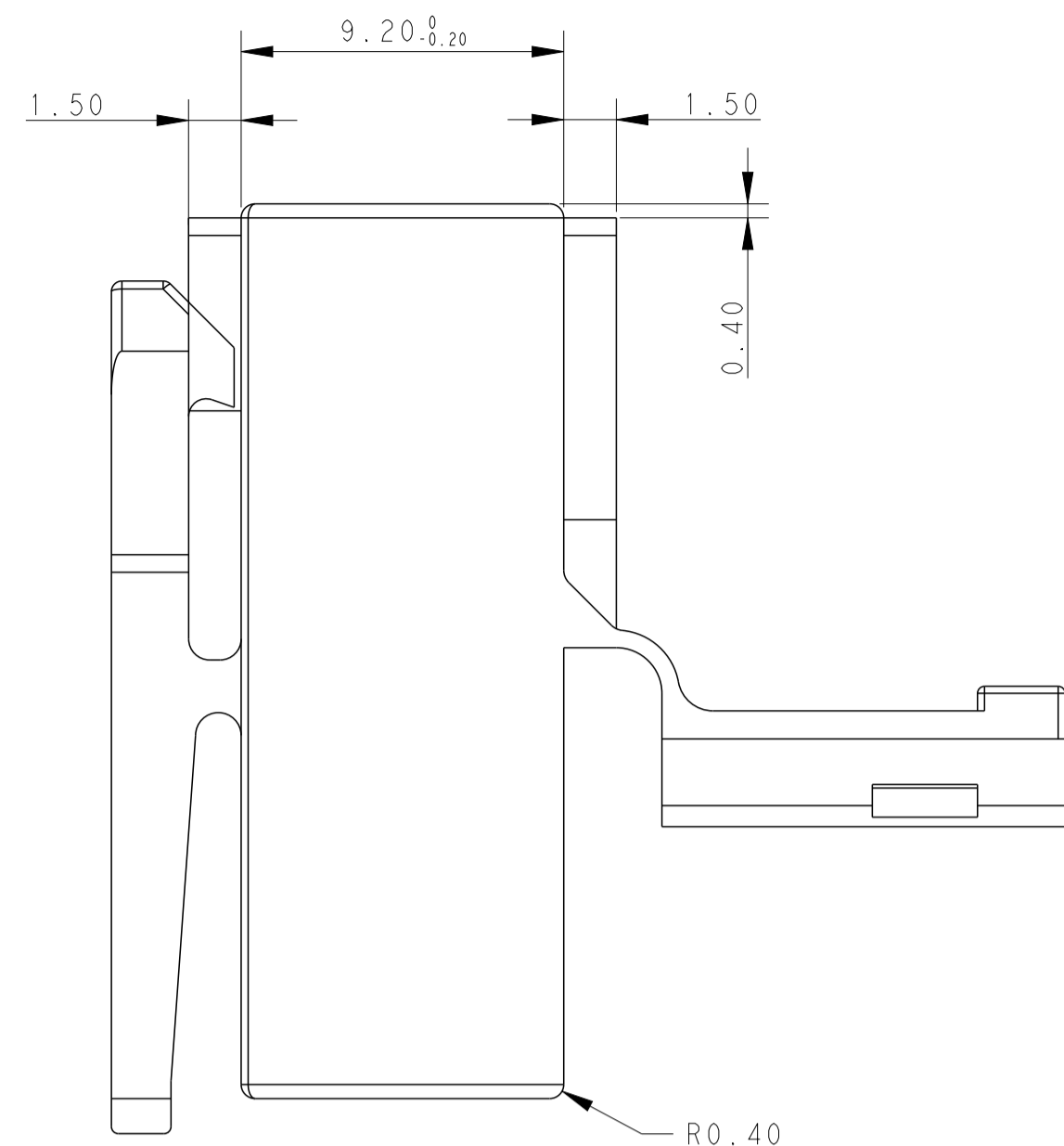


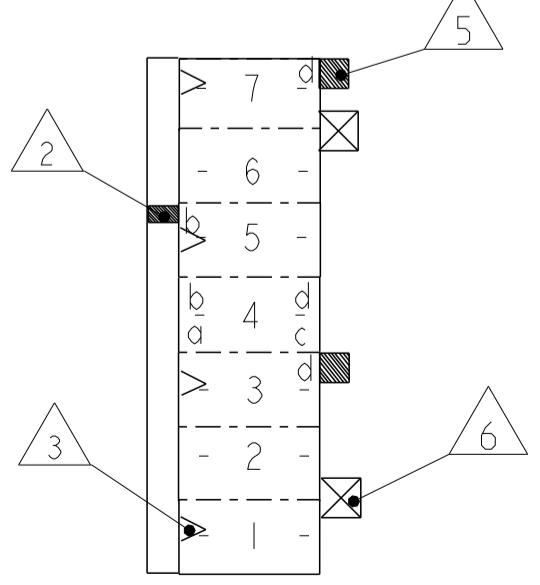
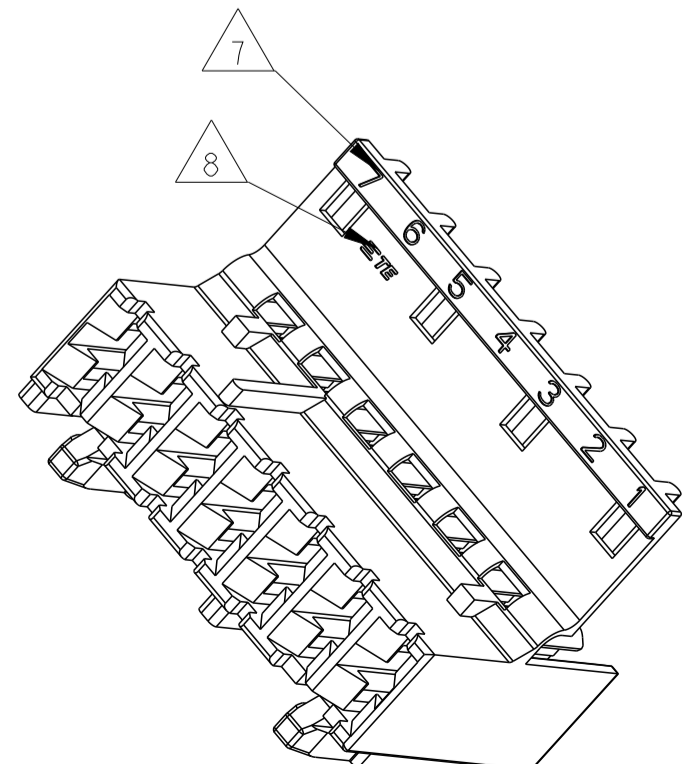
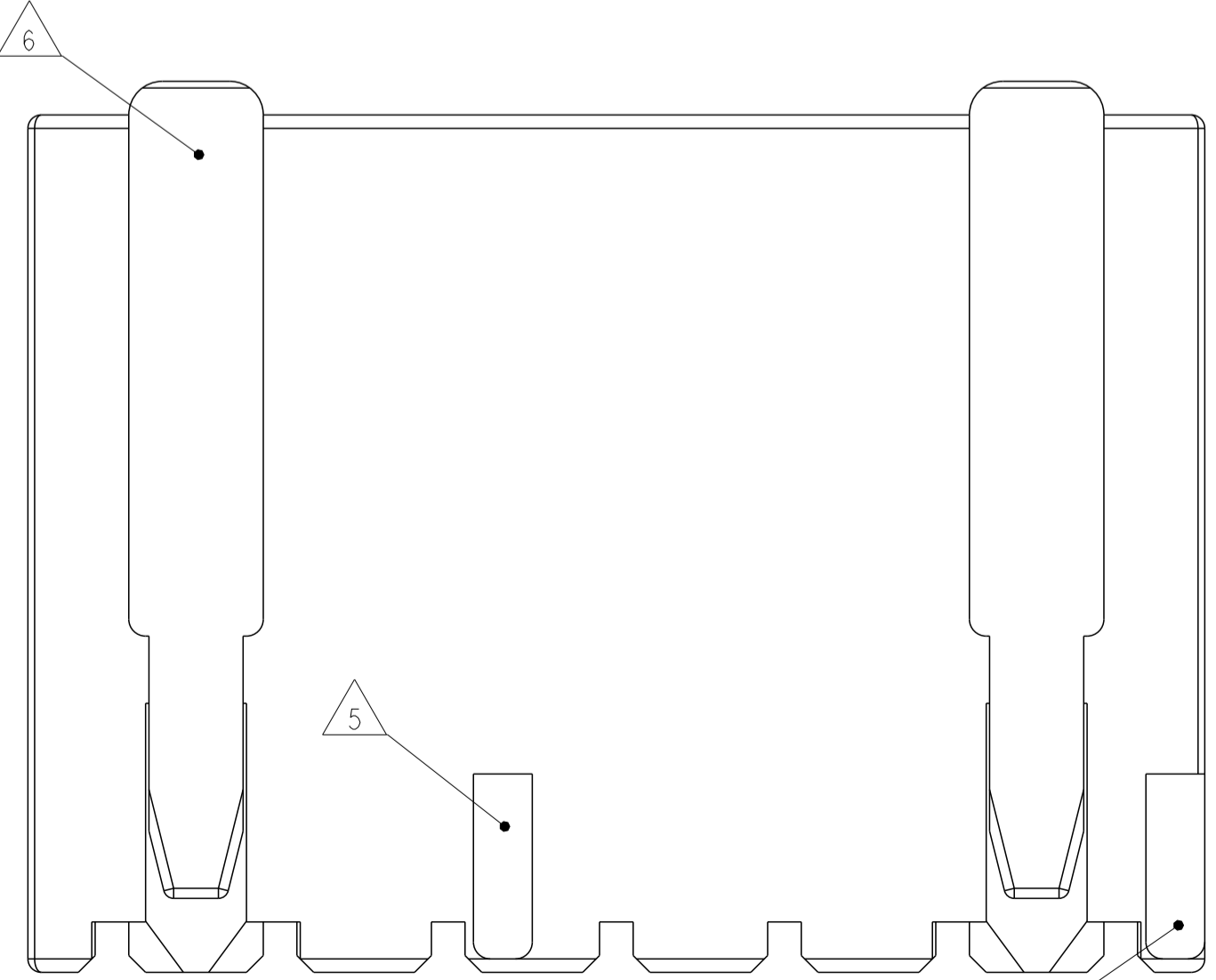
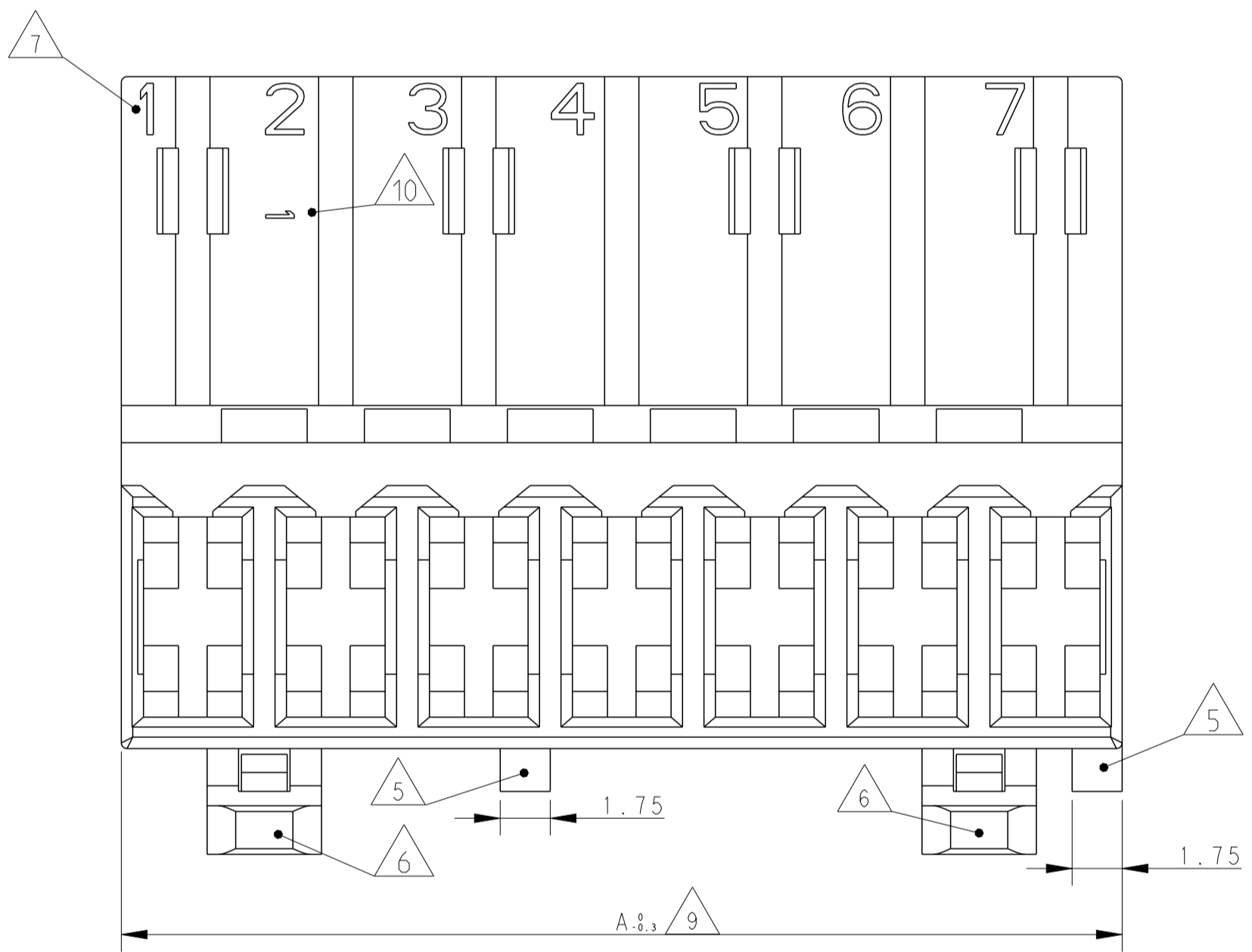
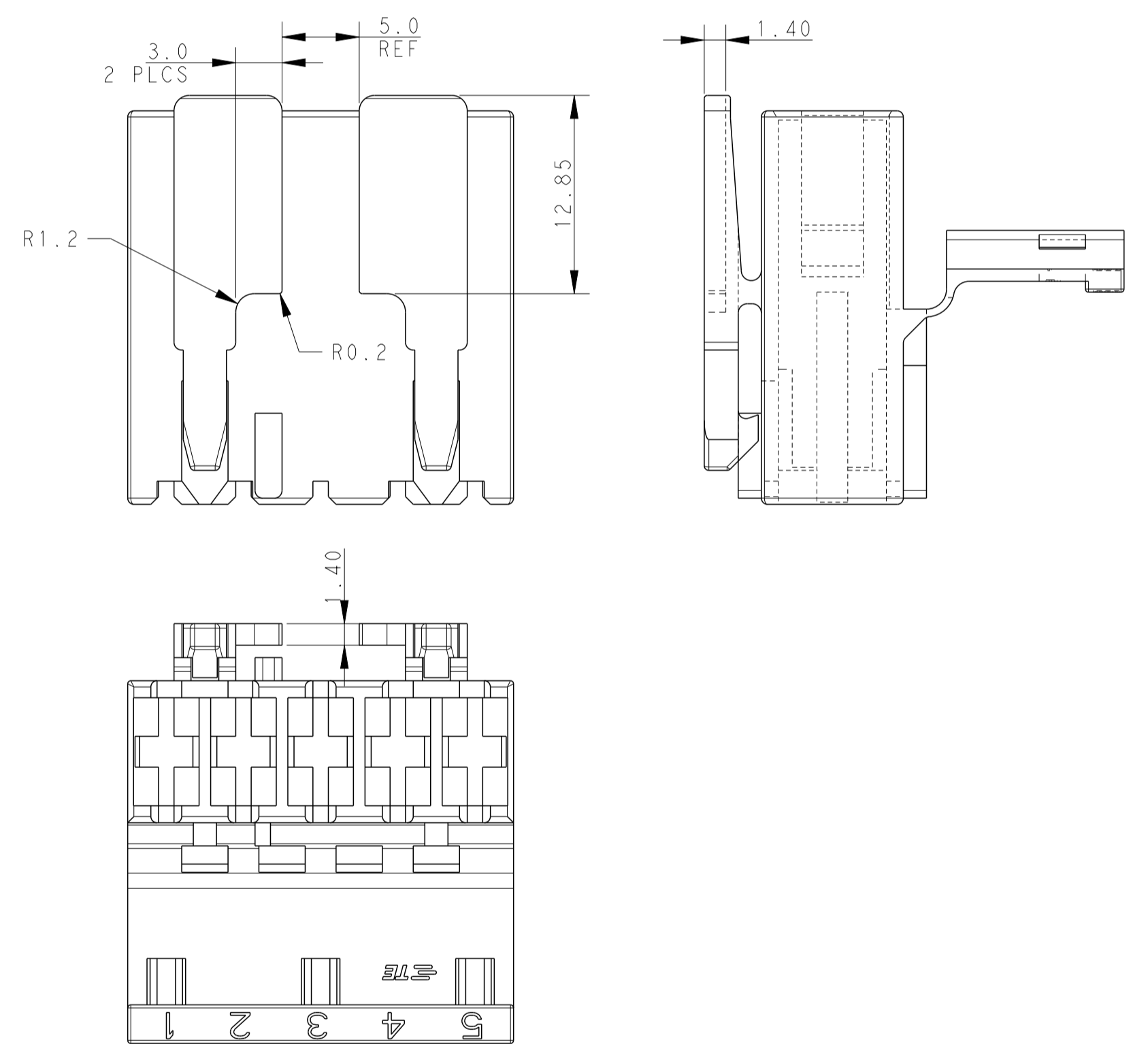
REVISIONS				
P	LTM	DESCRIPTION	DATE	APVD
A2	ECR-18-006054		26DEC2018	LZ RR
B	ECR-19-006634		12JUN2019	LZ FL
B1	ECR-21-112328		14SEP2021	SM FL
B2	ECR-22-129489		18FEB2022	PJ FL



NOTES

- 1 MATERIAL: PA66 UL94-V0 GWT750°C NF CT1 350V
- 2 POLARIZATION RIB GO THROUGH TO HINGE. POSITION "a" OR "b". AT CAVITY NO....
- 3 LOCKING DEVICE FOR COVER AT CAVITY NO
- 4 MATING STOP BETWEEN CAVITY NO 1 AND 2 ALSO BETWEEN THE LAST ONE AND LAST BUT ONE CAVITY
- 5 KEYING RIB POSITION "c" OR POSITION "d" AT CAVITY NO
- 6 LOCKING LATCH BETWEEN CAVITY NO
- 7 CONTACT CAVITY NO
- 8 AREA FOR TE LOGO
- 9 DIMENSION A AND DIMENSION B SEE TABLE
- 10 CAVITY MARKING
- 11 PRELIMINARY PART NUMBER
- 12 ALTERNATE LOCKING LATCH GEOMETRY
- 13 PRODUCT WITH HIGH RETENTION FORCE EXCLUDING NOTE 15/LOCKING LATCH STANDARD VERSION: MORE SPACE FOR LATCH ENGAGEMENT ARE NEEDED IN COUNT PART SIDE. RECOMMEND SPACE: 4.0mm Min.
- 14 MATERIAL: PA66 UL-94 V0 & GWPT 750°C NO FLAME ACCORDING TO IEC 60335-1
- 15 LOCKING LATCH STANDARD VERSION, SEE SHEET 2.
- 16 PART WITH LOW CLOSING FORCE OF TPA: MAX. 75N

12 ALTERNATE LOCKING LATCH GEOMETRY (EXTENDED LOCKING LATCH) FOR PN 5-2295787-5 AND 5-2295787-7



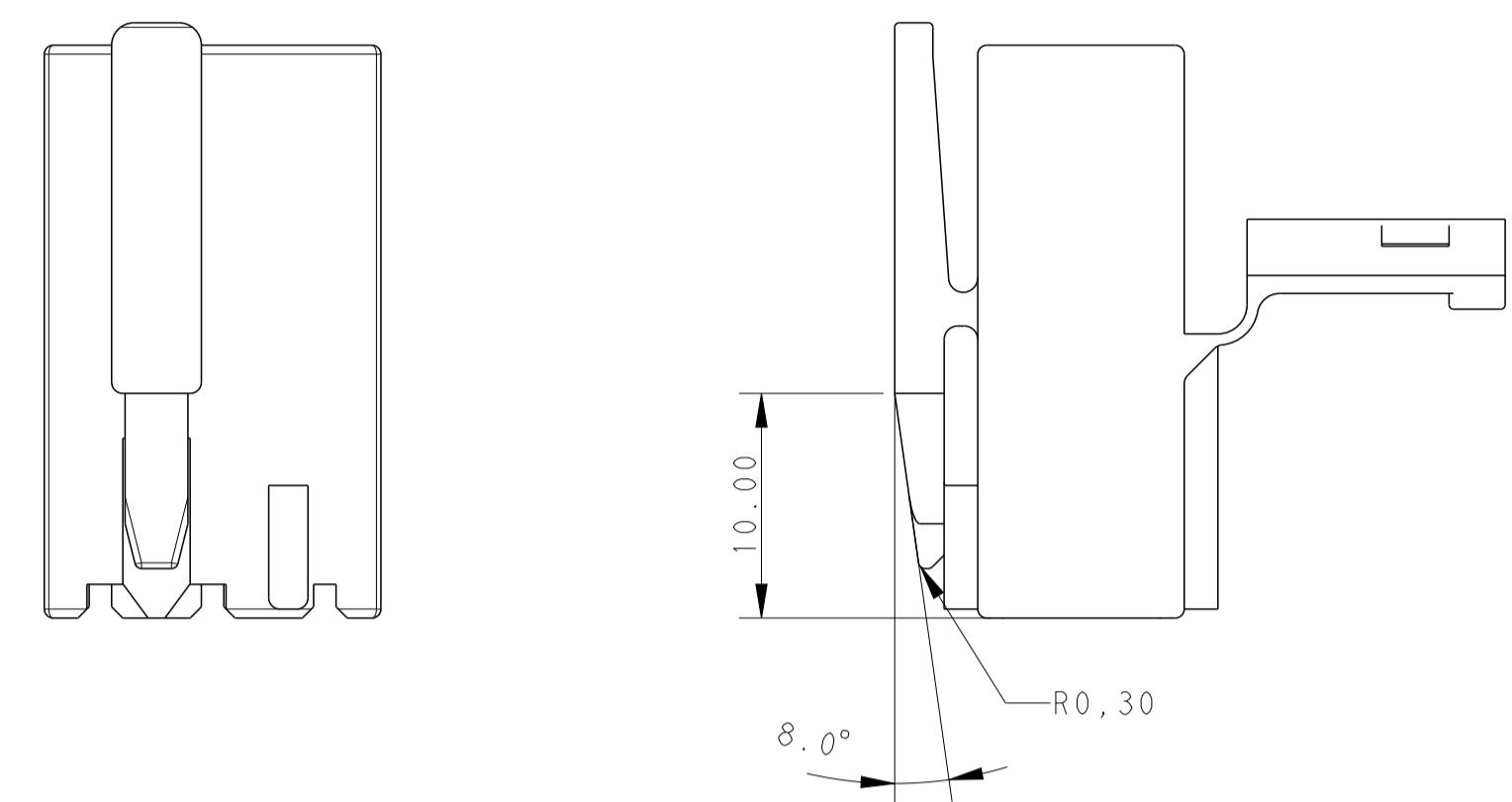
POSITION OF KEYING RIB AND THE LOCKING LATCH OF THE HOUSING

SCALE 2:1

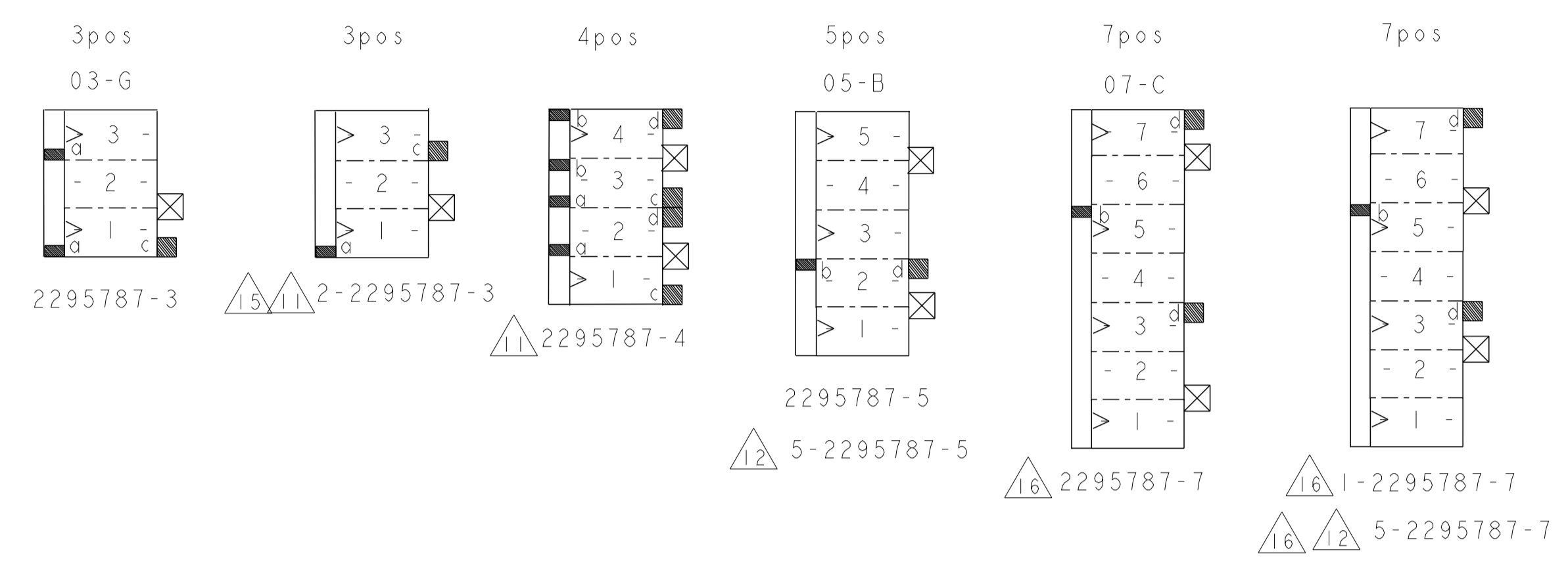
THIS DRAWING IS A CONTROLLED DOCUMENT.		OWN Shown Li 12Mar2016	TE Connectivity
DIMENSIONS: mm		CHK Federico Lupo 20May2016	
TOLERANCES UNLESS OTHERWISE SPECIFIED:		APVD Riccardo Bokone 20May2016	NAME STANDARD-TIMER HOUSING
0 PLC ±0.2	1 PLC ±0.2	PRODUCT SPEC	SIZE CAGE CODE DRAWING NO
2 PLC ±0.2	3 PLC ±0.2	APPLICATION SPEC	RESTRICTED TO
4 PLC ±0.2	5 PLC ±0.2	WEIGHT	A100779C=2295787
ANGLES ±1°	FINISH	CUSTOMER DRAWING	SCALE 3:1 SHEET 1 OF 2 REV B2

REVISIONS				
P. LTH	DESCRIPTION	DATE	DMN	APVD
-	SEE SHEET 1	-	-	-

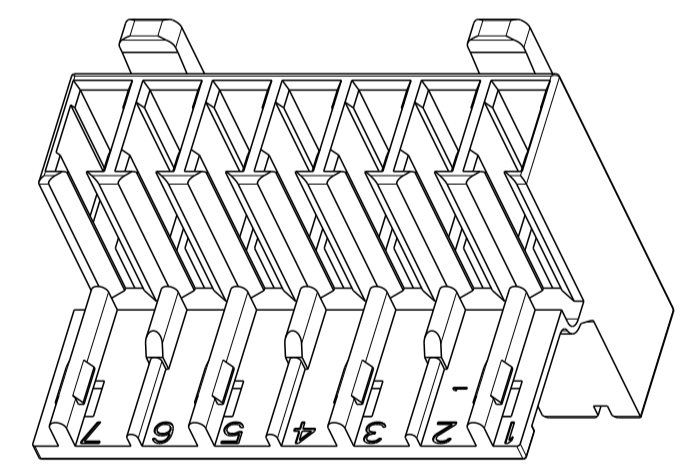
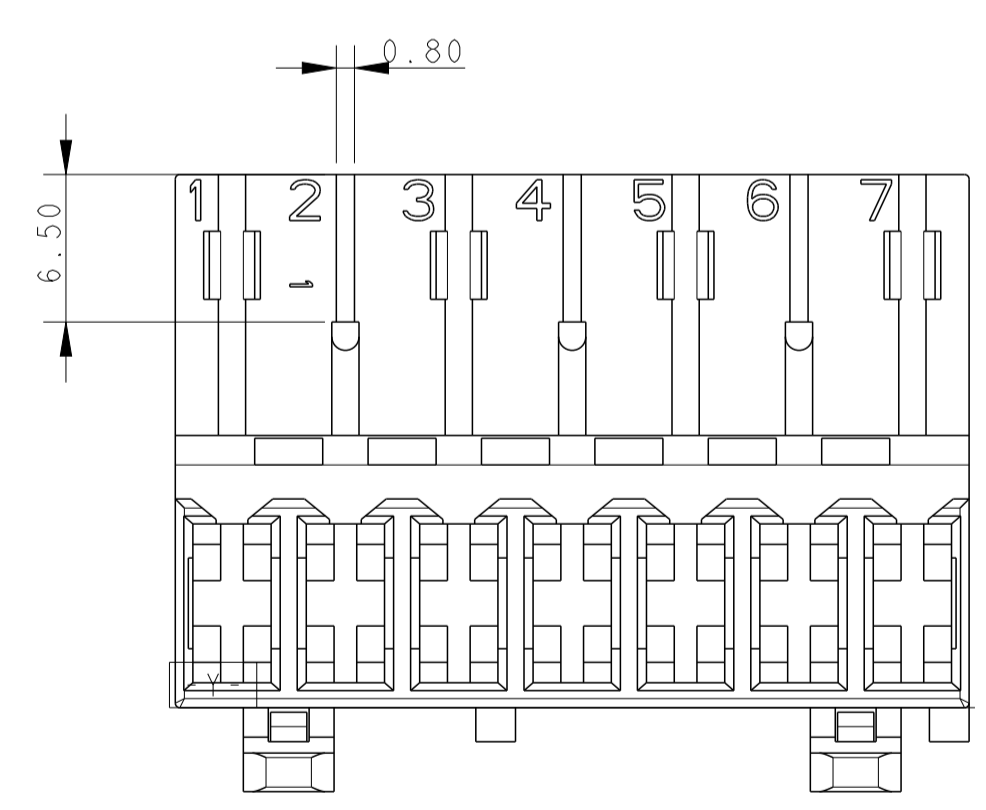
△15 SPECIAL LOCKING LATCH GEOMETRY (STANDARD VERSION)
 FOR PN 2-2295787-3



Other dimensions please refer to sheet 1



△16 ONLY FOR 7 POSITION PART



SCALE 2:1

Other dimensions please refer to sheet 1

△2 5-2295787-7	7	-	35	△1	NATURE
1-2295787-7	7	-	35		
2295787-7	7	07-C	35		
PART NO.	POS.	RAST 5	DIM A	MATERIAL	COLOUR

△12 5-2295787-5	5	05-B	25	△1	NATURE
2295787-5	5	05-B	25		
△11 2295787-4	4	-	20	△14	NATURE
△15 2-2295787-3	3	-	15		
2295787-3	3	03-G	15	△14	NATURE
PART NO.	POS.	RAST 5	DIM A	MATERIAL	COLOUR

THIS DRAWING IS A CONTROLLED DOCUMENT.

DIMENSIONS:	TOLERANCES UNLESS OTHERWISE SPECIFIED:	DMN: Shown Li 12Mar2016	TE Connectivity NAME: STANDARD-TIMER HOUSING
mm	0 PLC ±0.2 1 PLC ±0.2 2 PLC ±0.2 3 PLC ±0.2 4 PLC ±0.2 ANGLES ±1°	CHK: Federico Lupo 20May2016 APVD: Riccardo Bokone 20May2016 PRODUCT SPEC	
MATERIAL:	FINISH:	WEIGHT:	SIZE: A1 CAGE CODE: 00779 DRAWING NO: C=2295787 RESTRICTED TO: -
CUSTOMER DRAWING			SCALE: 3:1 SHEET 2 OF 2 REV: B2