

## Edgemax LED Module



### Features

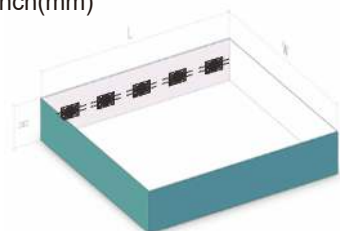
- Chain of 30 LED modules with single LED each.
- High efficiency LED.
- High color consistency.
- Beam characteristic: 18 × 40°.
- Protection class of LED module: IP67.
- Flexible chain, can be split between any module.
- Mounting with screw or remounted double-sided adhesive tape possible.
- Fully integrated heat sink.
- Nominal life-time up to 50,000 h (at tc 50°C).
- Best for 120~300mm depth double side light boxes.
- Warranty : 5 years

### Specification

<b>Dimension</b>	1.5*1.2"(37.5*29.5mm)
<b>Power</b>	2.4W±10%
<b>Working voltage</b>	12V
<b>Driving mode</b>	Constant current
<b>Center distance</b>	7.4"(188mm)
<b>Cascading</b>	30pcs
<b>Working temp</b>	-25~+50°C
<b>Storage temp</b>	-40~+85°C
<b>IP grade</b>	IP67

### Application notes

Unit: inch(mm)



## WLM-LED-ABS-12V-038030-3030-1

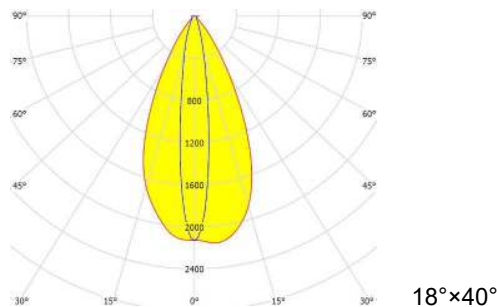
### Technical data

<b>Color temperature or Wavelength</b>	6500K
<b>CRI</b>	>70
<b>Typ.Flux per module</b>	240 lm

### Application data

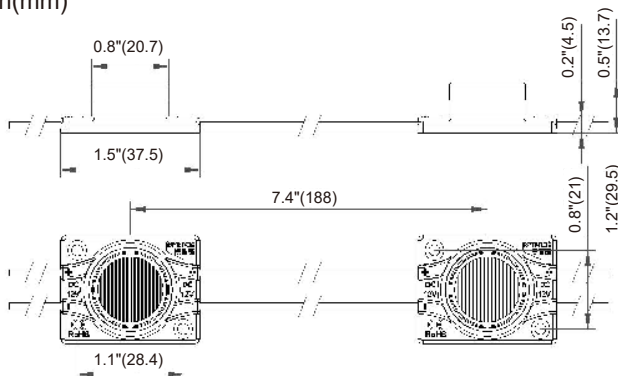
<b>Module number per Chain</b>	30 pcs
<b>Max. module number per Chain</b>	30 pcs
<b>Distance of modules(wire)</b>	5.9"(150mm)
<b>Max.temperature on module tc</b>	65 °C
<b>Risk group(EN 62471:2008)</b>	1
<b>Certification list</b>	CE/ENEC/RoHS/UL

### Light distribution



### Profile drawings

Unit: inch(mm)



		Depth	Brightness
<b>1m<sup>2</sup> Light Box</b>	<b>10 Modules</b>	H=4.7"(120mm)	2000 lux
		H=5.9"(150mm)	1650 lux
		H=7.1"(180mm)	1380 ux
		H=7.9"(200mm)	1170 lux
		H=9.8"(250mm)	950 lux