

SCREW TERMINAL TYPE ALUMINUM ELECTROLYTIC CAPACITORS

UPGRADE!

VFL Series

Useful of 8,000 hours at 85°C

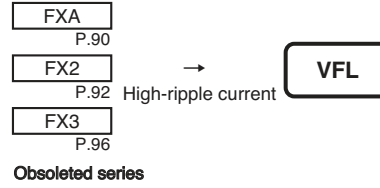
Standard



- Conform RoHS

Features

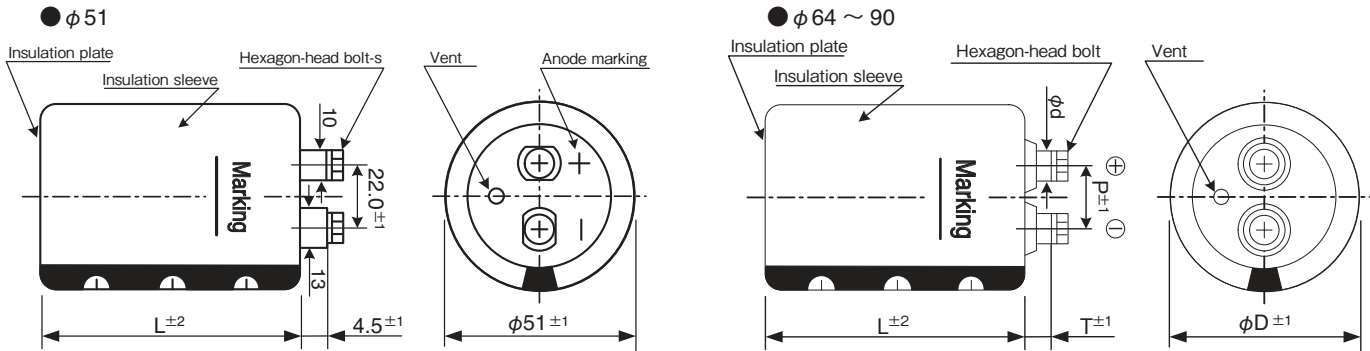
- About 10% ripple current has improved to FX2 series by radiation structure.



Product Specifications

Items	Specifications
Temperature range	-40°C ~ +85°C
Rated voltage	350 ~ 600V.DC
Capacitance tolerance	±20% (20°C, 120Hz)
Leakage current	0.01CV (µA) or 5mA, whichever is smaller or less (20°C, after 5 minutes) [C = nominal capacitance (µF), V = rated voltage (V)]
Dissipation factor	Less than the value specified in the standard products table. (20°C, 120Hz)
Permissible ripple current	As specified in the standard product table. (85°C, 120Hz)
Endurance	After the rated voltage with specified ripple current is applied at 85°C for 5,000 hours : Capacitance change : Within ±15% of the initial value measured Dissipation factor : 175% or less than the initial value specified Leakage current : Less than or equal to the initial value specified
Shelf life	The following specification shall be meet when the capacitor are restored to 20°C after storage of 500 hours at 85°C with no voltage applied. Before the measurement, the capacitor shall be preconditioned by applying the voltage treatment according to Item 4.1 of JIS C 5101-4. Capacitance change : Within ±15% of the initial value measured Dissipation factor : 175% or less than the initial value specified Leakage current : Less than or equal to the initial value specified
Others	JIS C 5101-4

Dimensions



Ripple current correction coefficient

Temperature (°C)	60	85		
Correction coefficient	1.67	1.00		
Frequency (Hz)	120	300	1K	≥10K
Correction coefficient	1.0	1.1	1.3	1.4
Forced wind (m/s)	< 0.5	0.5 ≤		
Correction coefficient	1.0	1.1		

(unit : mm)

φD	P	T	φd	Hexagon-head bolt	Cap material
51	22.0	4.5	—	M5×10	Phenol resin
64	28.6	8.0	11.0	M5×10	Phenol resin
77	31.5	8.0	11.0	M5×10	Phenol resin
90	31.5	7.0	11.0	M5×10	Phenol resin

Terminal permissible currents: 60Arms for M5.
Please use this type of capacitor at a terminal current below the permissible.
Refer to page 21 for product code.

Bracket

- Refer to page 22-23 for shapes and dimensions.
- Product names in the Standard Products Table correspond to the bracket for Type Y, but Type I bracket may be used (Type of bracket code = I).
- If bracket are not necessary, enter "N" for the type of bracket code.
- Bracket will be delivered separately.

Product code

(Example) VFL Series 400 V 15,000 µF ±20%

VFL 2G 153 Y F 167

- VFL: Type of series
- 2G: Case height code
- 153: Case dia code
- Y: Type of bracket code
- F: Capacitance code
- 167: Rated voltage code

ALUMINUM ELECTROLYTIC CAPACITORS

SCREW TERMINAL TYPE ALUMINUM ELECTROLYTIC CAPACITORS

VFL Series

Standard Products Table

Rated Voltage (V. DC)	Capacitance (μF)	Case size φD×L(mm)	tanδ 20°C, 120Hz	Ripple current (Arms) 85°C, 120Hz	ESR(typ.) (mΩ) 20°C, 100Hz	Z max (mΩ) 20°C, 10kHz	ESL(typ.) (nH)	Product name
350	1,800	51×75	0.20	7.4	55	58	21	VFL2V182YC075
	2,200	51×96	0.20	8.5	45	47	21	VFL2V222YC096
	2,700	51×109	0.20	9.8	37	39	21	VFL2V272YC109
	3,300	51×125	0.20	11.2	30	32	21	VFL2V332YC125
	4,700	64×94	0.20	15.1	21	22	22	VFL2V472YD094
	5,600	64×107	0.20	16.9	18	19	22	VFL2V562YD107
	6,800	64×123	0.20	18.7	15	15	22	VFL2V682YD123
		77×95	0.20	20.9	15	15	24	VFL2V682YE095
	8,200	64×147	0.20	20.2	12	15	22	VFL2V822YD147
		77×108	0.20	22.9	12	15	24	VFL2V822YE108
	10,000	64×187	0.20	22.9	10	15	22	VFL2V103YD187
		77×124	0.20	25.9	10	15	24	VFL2V103YE124
	12,000	90×97	0.20	29.3	10	15	24	VFL2V103YF097
		77×148	0.20	27.8	8	13	24	VFL2V123YE148
	15,000	90×126	0.20	31.7	8	13	24	VFL2V123YF126
		77×188	0.20	31.9	7	10	24	VFL2V153YE188
18,000	90×150	0.20	35.2	7	10	24	VFL2V153YF150	
	77×228	0.20	36.0	7	10	24	VFL2V183YE228	
22,000	90×167	0.20	37.9	7	10	24	VFL2V183YF167	
	90×230	0.20	41.1	6	9	24	VFL2V223YF230	
27,000	90×268	0.20	43.0	5	7	24	VFL2V273YF268	
400	1,500	51×75	0.20	6.8	68	73	21	VFL2G152YC075
	1,800	51×96	0.20	7.9	57	61	21	VFL2G182YC096
	2,200	51×109	0.20	9.1	47	50	21	VFL2G222YC109
	2,700	51×125	0.20	10.2	38	41	21	VFL2G272YC125
	3,900	64×94	0.20	13.8	26	28	22	VFL2G392YD094
	4,700	64×107	0.20	15.5	21	22	22	VFL2G472YD107
	5,600	64×123	0.20	16.9	18	19	22	VFL2G562YD123
		77×95	0.20	19.0	18	19	24	VFL2G562YE095
	6,800	64×147	0.20	18.4	15	15	22	VFL2G682YD147
		77×108	0.20	20.8	15	15	24	VFL2G682YE108
	8,200	64×187	0.20	20.8	12	15	22	VFL2G822YD187
		77×124	0.20	23.5	12	15	24	VFL2G822YE124
	10,000	90×97	0.20	26.6	12	15	24	VFL2G822YF097
		77×148	0.20	25.4	10	15	24	VFL2G103YE148
	12,000	90×126	0.20	28.9	10	15	24	VFL2G103YF126
		77×188	0.20	28.5	8	13	24	VFL2G123YE188
15,000	90×150	0.20	31.5	8	13	24	VFL2G123YF150	
	77×228	0.20	32.9	8	10	24	VFL2G153YE228	
18,000	90×167	0.20	34.6	8	10	24	VFL2G153YF167	
	90×230	0.20	37.2	6	9	24	VFL2G183YF230	
22,000	90×268	0.20	38.9	5	7	24	VFL2G223YF268	
450	1,200	51×75	0.20	6.3	86	90	21	VFL2W122YC075
	1,500	51×96	0.20	7.5	69	72	21	VFL2W152YC096
	1,800	51×109	0.20	8.4	57	60	21	VFL2W182YC109
	2,200	51×125	0.20	9.4	47	50	21	VFL2W222YC125
	2,700	64×94	0.20	11.7	38	40	22	VFL2W272YD094
	3,300	64×107	0.20	13.3	30	35	22	VFL2W332YD107
	3,900	64×123	0.20	14.5	27	32	22	VFL2W392YD123
		77×95	0.20	16.2	27	32	24	VFL2W392YE095
	4,700	64×147	0.20	15.6	21	21	22	VFL2W472YD147
		77×108	0.20	17.8	21	21	24	VFL2W472YE108
	5,600	64×164	0.20	17.5	20	20	22	VFL2W562YD164
		77×124	0.20	19.9	20	20	24	VFL2W562YE124
	6,800	90×97	0.20	22.5	20	20	24	VFL2W562YF097
		64×187	0.20	19.4	15	18	22	VFL2W682YD187
	8,200	77×148	0.20	21.4	15	18	24	VFL2W682YE148
		90×110	0.20	24.6	15	18	24	VFL2W682YF110
10,000	77×165	0.20	24.0	14	16	24	VFL2W822YE165	
	90×126	0.20	26.8	14	16	24	VFL2W822YF126	
12,000	77×188	0.20	26.7	10	15	24	VFL2W103YE188	
	90×150	0.20	29.4	10	15	24	VFL2W103YF150	
15,000	77×228	0.20	30.2	9	12	24	VFL2W123YE228	
	90×167	0.20	31.7	9	12	24	VFL2W123YF167	
18,000	90×230	0.20	34.8	7	10	24	VFL2W153YF230	
18,000	90×268	0.20	36.0	6	8	24	VFL2W183YF268	

ALUMINUM ELECTROLYTIC CAPACITORS

SCREW TERMINAL TYPE ALUMINUM ELECTROLYTIC CAPACITORS

Standard Products Table

Rated Voltage (V. DC)	Capacitance (μ F)	Case size ϕ D \times L(mm)	$\tan\delta$ 20°C, 120Hz	Ripple current (Arms) 85°C, 120Hz	ESR(typ.) (m Ω) 20°C, 100Hz	Z max (m Ω) 20°C, 10kHz	ESL(typ.) (nH)	Product name
500	820	51 \times 75	0.20	4.7	117	110	21	VFL2H821YC075
	1,000	51 \times 96	0.20	5.6	96	90	21	VFL2H102YC096
	1,200	51 \times 109	0.20	6.3	80	75	21	VFL2H122YC109
	1,500	51 \times 125	0.20	7.2	64	60	21	VFL2H152YC125
	1,800	64 \times 94	0.20	9.1	53	50	22	VFL2H182YD094
	2,200	64 \times 107	0.20	10.3	40	35	22	VFL2H222YD107
	2,700	64 \times 123	0.20	11.5	37	33	22	VFL2H272YD123
			77 \times 95	0.20	12.9	37	33	24
	3,300	64 \times 147	0.20	12.5	36	32	22	VFL2H332YD147
			77 \times 108	0.20	14.2	36	32	24
	3,900	64 \times 164	0.20	13.9	27	29	22	VFL2H392YD164
		77 \times 124	0.20	15.8	27	29	24	VFL2H392YE124
		90 \times 97	0.20	17.9	27	29	24	VFL2H392YF097
	4,700	64 \times 187	0.20	15.4	25	25	22	VFL2H472YD187
		77 \times 148	0.20	17.0	25	25	24	VFL2H472YE148
		90 \times 110	0.20	19.5	25	25	24	VFL2H472YF110
	5,600	77 \times 165	0.20	18.9	23	21	24	VFL2H562YE165
		90 \times 126	0.20	21.1	23	21	24	VFL2H562YF126
6,800	77 \times 188	0.20	20.9	20	18	24	VFL2H682YE188	
	90 \times 150	0.20	23.1	20	18	24	VFL2H682YF150	
8,200	90 \times 167	0.20	25.0	17	16	24	VFL2H822YF167	
10,000	90 \times 190	0.20	27.8	14	12	24	VFL2H103YF190	
12,000	90 \times 230	0.20	29.6	12	10	24	VFL2H123YF230	
15,000	90 \times 268	0.20	31.4	10	8	24	VFL2H153YF268	
550	560	51 \times 75	0.20	3.9	200	215	21	VFL2L561YC075
	680	51 \times 96	0.20	4.5	165	177	21	VFL2L681YC096
	820	51 \times 109	0.20	5.1	137	147	21	VFL2L821YC109
	1,000	51 \times 125	0.20	5.9	112	120	21	VFL2L102YC125
	1,200	64 \times 94	0.20	7.3	93	100	22	VFL2L122YD094
	1,500	64 \times 107	0.20	8.3	74	80	22	VFL2L152YD107
	1,800	64 \times 123	0.20	9.1	61	50	22	VFL2L182YD123
			77 \times 95	0.20	10.3	61	50	24
	2,200	64 \times 147	0.20	10.0	53	50	22	VFL2L222YD147
			77 \times 108	0.20	11.3	53	50	24
	2,700	64 \times 164	0.20	11.3	40	35	22	VFL2L272YD164
		77 \times 124	0.20	12.8	40	35	24	VFL2L272YE124
		90 \times 97	0.20	14.5	40	35	24	VFL2L272YF097
	3,300	64 \times 187	0.20	12.6	38	32	22	VFL2L332YD187
		77 \times 148	0.20	13.9	38	32	24	VFL2L332YE148
		90 \times 110	0.20	16.0	38	32	24	VFL2L332YF110
	3,900	77 \times 165	0.20	15.4	30	27	24	VFL2L392YE165
		90 \times 126	0.20	17.2	30	27	24	VFL2L392YF126
4,700	77 \times 188	0.20	17.0	25	20	24	VFL2L472YE188	
	90 \times 150	0.20	18.8	25	20	24	VFL2L472YF150	
5,600	90 \times 167	0.20	20.2	20	17	24	VFL2L562YF167	
6,800	90 \times 190	0.20	22.4	17	17	24	VFL2L682YF190	
8,200	90 \times 230	0.20	23.9	14	15	24	VFL2L822YF230	
10,000	90 \times 268	0.20	25.0	12	12	24	VFL2L103YF268	
600	470	51 \times 75	0.20	2.6	312	320	21	VFL600V471YC075
	560	51 \times 96	0.20	3.0	262	268	21	VFL600V561YC096
	680	51 \times 109	0.20	3.4	216	221	21	VFL600V681YC109
	820	51 \times 125	0.20	3.9	179	183	21	VFL600V821YC125
	1,200	64 \times 94	0.20	7.0	122	125	22	VFL600V122YD094
	1,500	64 \times 123	0.20	8.0	111	114	22	VFL600V152YD123
			77 \times 95	0.20	9.0	111	114	24
	1,800	64 \times 147	0.20	8.6	99	102	22	VFL600V182YD147
			77 \times 108	0.20	9.8	99	102	24
	2,200	64 \times 164	0.20	9.8	85	87	22	VFL600V222YD164
		77 \times 124	0.20	11.1	85	87	24	VFL600V222YE124
		90 \times 97	0.20	12.6	85	87	24	VFL600V222YF097
	2,700	64 \times 187	0.20	10.9	66	68	22	VFL600V272YD187
		90 \times 110	0.20	13.8	66	68	24	VFL600V272YF110
	3,300	77 \times 148	0.20	13.3	44	45	24	VFL600V332YE148
		90 \times 126	0.20	15.2	44	45	24	VFL600V332YF126
	3,900	77 \times 188	0.20	14.9	33	25	24	VFL600V392YE188
		90 \times 150	0.20	16.4	33	25	24	VFL600V392YF150
4,700	77 \times 228	0.20	16.9	27	20	24	VFL600V472YE228	
	90 \times 167	0.20	17.7	27	20	24	VFL600V472YF167	
5,600	90 \times 190	0.20	19.5	23	17	24	VFL600V562YF190	
6,800	90 \times 230	0.20	20.9	19	14	24	VFL600V682YF230	

ALUMINUM ELECTROLYTIC CAPACITORS

Life time graph

Useful life depending on ambient temperature T_a and ripple current operating conditions I versus rated ripple current at 85°C, 120Hz

