



ANATECH ELECTRONICS INC
RF & Microwave Filters & Products

4250 MHz Suspended Stripline High Pass Filter

Part Number: AE4250SSH6555



Electrical Specifications

Cut Off Frequency: 4.25GHz
Pass Band Frequency: 4.25~20GHz
Pass Band Insertion Loss:
 $\leq 2.0\text{dB}$ @ 4.25~4.5GHz
 $\leq 1.0\text{dB}$ @ 4.5~20GHz
Pass Band VSWR: $\leq 1.5:1$
Stop Band Attenuation: $\geq 60\text{dB}$ @ DC~3.78GHz
Impedance: 50 Ohms
Power Handling: $\leq 15\text{W}$

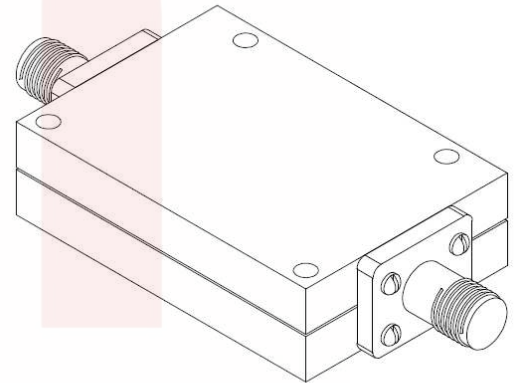
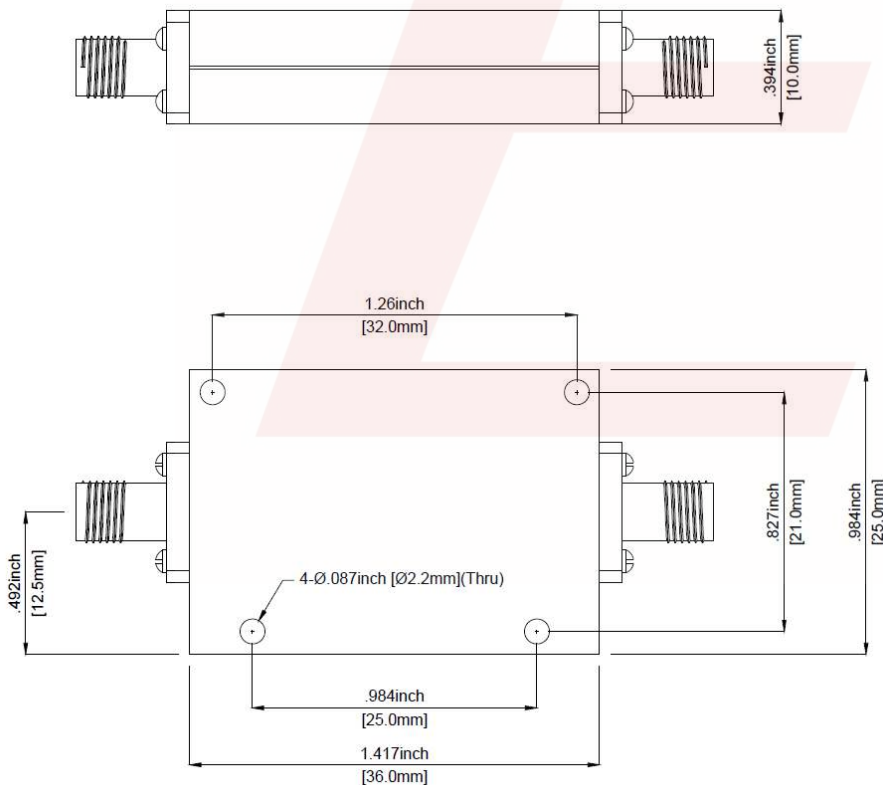
Mechanical

Mounting Method: Through Holes
Connector Type: SMA-Female
Dimensions: 36 x 25 x 10 mm

Environmental

Operating Temperature: -45 to +85° C
Storage Temperature: -55 to +95° C
Shock: 20 G. 11ms
Vibration: 20 G. 5 to 200 Hz

Outline Drawing:



DS-SSH6555-01252019-Rev0