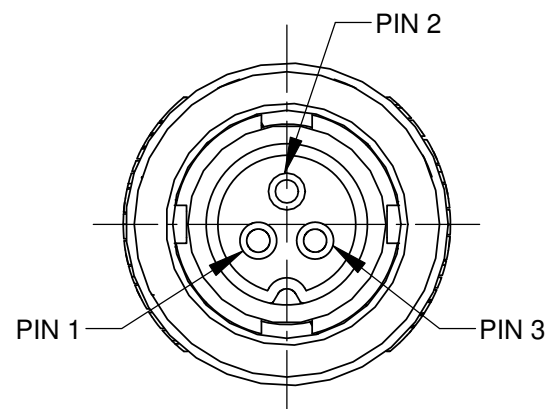


**EN2C3M20
OVERMOLDED**
 OVERMOLD - BLACK THERMOPLASTIC RUBBER
 CONNECTOR - BLACK THERMOPLASTIC, WITH INSERT
 MOLDED BLACK THERMOPLASTIC RUBBER.
 CONTACTS - COPPER ALLOY, GOLD PLATED



WIRING TABLE	
EN2C3M20	WIRE COLOR
PIN 1	BLACK
PIN 2	WHITE
PIN 3	GREEN

NOTES:
 2. THIS PRODUCT IS RoHS COMPLIANT.

CUSTOMER DRAWING

					THIS DRAWING DESCRIBES A DESIGN CONSIDERED PROPRIETARY IN NATURE, DEVELOPED AND MANUFACTURED BY SWITCHCRAFT INC. AND IS RELEASED ON A CONFIDENTIAL BASIS FOR IDENTIFICATION PURPOSES ONLY.				
					SIZE *	WIDTH *	MULT *	LBS/M *	TEMPER *
					FINISH *			MATERIAL *	
					SPEC No. *			SPEC No. *	
					FIRST USED ON *		SCALE 1:1		
0A	*	*	*	*	DATE DRAWN 11/23/16	BY AB	CHKD AB 11/23/16	APVD *	
REVISIONS					NAME EN2C3M20 ON 79" OF CABLE, RoHS				
DO NOT SCALE DRAWING					PART No. CAEN2C3M07990			REV 0A	