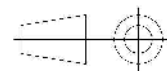
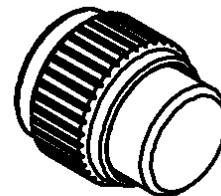
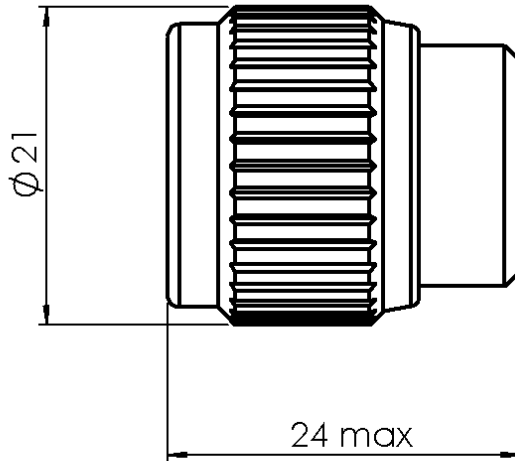


COAXIAL TERMINATION N MALE

4 GHZ 1W Z50

R404.131.000

Series : **CHARGE**



All dimensions are in mm.

COMPONENTS	MATERIALS	PLATING(μm)
BODY	BRASS	NICKEL2
CENTER CONTACT	BRASS	GOLD 1.2 OVER NICKEL 2
OUTER CONTACT		
INSULATOR	PTFE	
GASKET	SILICONE RUBBER	
SUBSTRATE	ALUMINA	
RESISTOR	THICK FILM	
OTHERS PARTS		

Issue : 0850 B

In the effort to improve our products, we reserve the right to make changes judged to be necessary.



COAXIAL TERMINATION N MALE

R404.131.000

4 GHZ 1W Z50

Series : **CHARGE**

ELECTRICAL CHARACTERISTICS

Frequency (GHz)	DC - 1	1 - 4
V.S.W.R (≤)	1.08	1.20

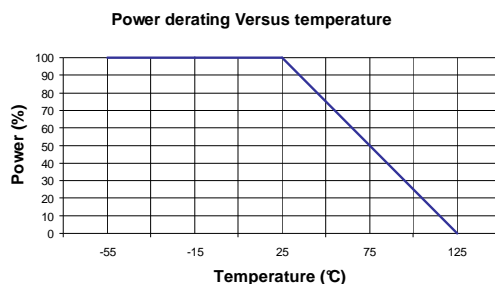
Operating Frequency Range	DC - 4	GHz
Impedance	50	Ω
DC Resistance	50	Ω ± 2%
Peak power at 25°C (1μs, 1%)	500	W
Average power at 25°C	1	W (Free Air Cooled)
		W (Conduction Cooled)

MECHANICAL CHARACTERISTICS

Connectors	N	Male	MIL C39012
Weight	33,1100 g		

ENVIRONMENTAL CHARACTERISTICS

Operating temperature range	-55/+125 °C
Storage temperature range	-55/+125 °C



SPECIFICATION

OTHER CHARACTERISTICS

WATERTIGHTNESS NF EN60529 :
IP 68 When mated with suitable connector

Issue : 0850 B

In the effort to improve our products, we reserve the right to make changes judged to be necessary.

