

LNX-0500-M12-67 Series

5-Port M12 Industrial IP67 Waterproof Ethernet Switch, w/5*10/100Tx with M12-connector, 12~48VDC Power Input



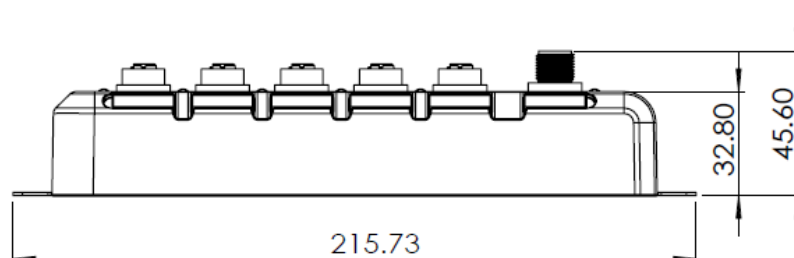
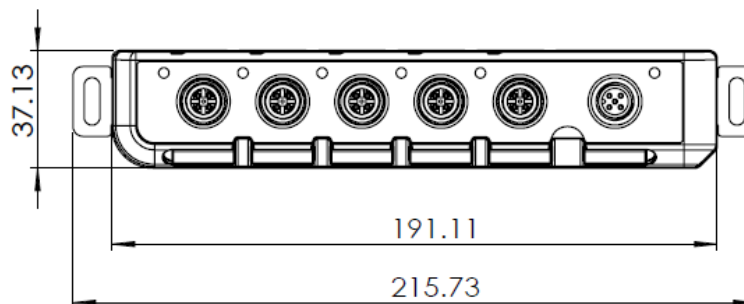
Features

- ▶ 5*10/100Tx Fast Ethernet
- ▶ M12 (A-coded) Connector with IP67 Rated Protection
- ▶ IP67 Rugged Plastic Case Design
- ▶ RJ45 Port Support Auto MDI / MDI-X Function
- ▶ Auto Negotiation Speed, Half / Full Duplex
- ▶ Store-and-Forward Switching Architecture
- ▶ Redundant Power Input: 12~48VDC
- ▶ Power Polarity Reverse Protection
- ▶ Overload Current Protection
- ▶ DIN-Rail or Wall Mountable
- ▶ 5-Year Warranty

INTRODUCTION

Antaira Technologies' LNX-0500-M12-67 series is a 5-port 10/100Tx M12 IP67 industrial switch that meets the high-reliability requirements demanded by industrial applications. The LNX-0500-M12-67 series features a wide operating temperature of -10° to 70°C in the standard model and -40° to 75°C in the extended temperature model which allows this device to be used in various industrial environments. Its M12 connectors ensure a tight, robust connection and guarantees reliable operation in applications that are subject to high vibration and shock in environments containing dust, liquid, or laden with gas.

DIMENSIONS



SPECIFICATIONS

Technology		Power Requirement	
Standards	IEEE 802.3 10Base-T Ethernet IEEE 802.3u 100Base-TX Fast Ethernet	Input Voltage	12 to 48VDC, Redundant Inputs
Processing Type	Store and Forward	Power Connection	1*M12, 5-pin A-coded, Male
Protocol	CSMA/CD	Reverse Polarity Protection	Present
Flow Control	IEEE 802.3x back pressure flow control	Overload Current Protection	Present
Switch Properties		Power Consumption	500mWatts
Switch Architecture	Back-Plane: Non-Blocking Switching Fabric	Environmental Limits	
Transfer Rate	14,880pps for Ethernet Port 148,800pps for Fast Ethernet Port	Operating Temperature	STD: -10°C to 70°C EOT: -40°C to 75°C
Memory Buffer	448kbits	Storage Temperature	-40°C to 85°C
MAC Table size	1k	Ambient Relative Humidity	5% to 95%, (non-condensing)
Interface		Regulatory Approvals	
Ethernet Port	5*10/100T(X) M12, 4-pin D-coded, Female, auto negotiation speed, Full/Half duplex mode, and auto MDI/MDI-X connection	EMI	FCC Part 15 Subpart B Class A, CE EN 55032 Class A, EN 61000-6-4 Class A
LED Indicators	Power, Ethernet Ports: Link / Act	EMS	CE EN 55024 Class A, EN 61000-6-2 Class A, IEC61000-4-2 (ESD), IEC61000-4-3 (RS), IEC61000-4-4 (EFT), IEC61000-4-5 (Surge), IEC61000-4-6 (CS), IEC61000-4-8 (Magnetic Field)
Mechanical Characteristics		Free Fall	IEC60068-2-32
Housing	Plastic, IP67 protection	Shock	IEC60068-2-27
Dimensions	37.13 x 215.73 x 32.8 mm (W x H x D)	Vibration	IEC60068-2-6
Weight	Unit: 0.749 lbs. Shipping: 1.322 lbs.	Green	RoHS Compliant
Mounting	DIN-Rail Mounting, Wall Mounting	Certifications	FCC, CE, UL 61010-1 (Pending), UL 61010-2-201 (Pending)
		Warranty	5 Years

ORDERING INFO

LNX-0500-M12-67	5-Port M12 Industrial IP67 Waterproof Ethernet Switch, w/5*10/100Tx with M12 connector, 12~48VDC Power Input
LNX-0500-M12-67-T	5-Port M12 Industrial IP67 Waterproof Ethernet Switch, w/5*10/100Tx with M12 connector, 12~48VDC Power Input; EOT: -40°C to 75°C
Optional Accessories	
DR-30-24	30W Industrial DIN-Rail Power Supply, 24VDC
DR-60-24	60W Industrial DIN-Rail Power Supply, 24VDC
CB-M12D4PM-RJ45-5M	M12 D-Code 4-Pin Male to RJ45 Cable, 5 Meter, Wire: CAT5e STP 24AWG Black, IP68 Protection
CB-M12A3PM-5M	M12 A-Code 3-Pin Male to Open Cable, 5 Meter, Wire: UL 24AWG*5C Black, IP68 Protection
CB-M12A5PF-5M	M12 A-Code 5-Pin Female to Open Cable, 5 Meter, Wire: UL 24AWG*5C Black, IP68 Protection