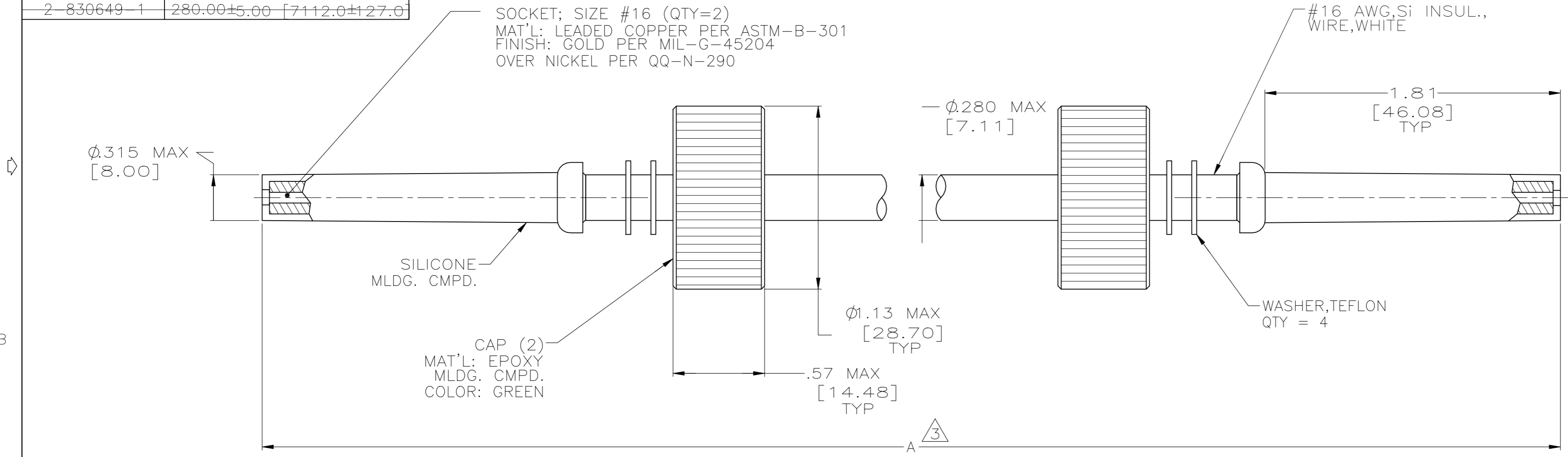


THIS DRAWING IS UNPUBLISHED. RELEASED FOR PUBLICATION .19
 © COPYRIGHT 19 BY AMP INCORPORATED. ALL INTERNATIONAL RIGHTS RESERVED.

PROD CODE	LOC	DIST	P	F	ZONE	LTR	REVISIONS	DATE	APPD
4092	DF	SO				L	REV ECN-23-198694	2-23	JW

PART NO.	A	△
830649-1	12.00	[304.8]
830649-2	36.00	[914.4]
830649-3	18.00	[457.2]
830649-4	180.00	[4572.0]
830649-5	96.00	[2438.4]
830649-6	48.00	[1219.2]
830649-7	20.00	[508.0]
830649-8	25.00	[635.0]
830649-9	8.00	[203.2]
1-830649-0	24.00	[609.6]
1-830649-1	10.00	[254.0]
1-830649-2	14.00	[355.6]
1-830649-3	22.00	[558.8]
1-830649-4	240.00	[6096.0]
1-830649-5	72.00	[1828.8]
1-830649-6	60.00	[1524.0]
1-830649-7	17.00	[431.8]
1-830649-8	30.00	[762.0]
1-830649-9	40.00	[1016.0]
2-830649-0	78.75	[2000.2]
2-830649-1	280.00±5.00	[7112.0±127.0]



- MARKED PER MIL-STD-130.
- LEADS WILL MATE WITH AMP LGH-3 RECEPTACLE WITH 1.81 [4.7] BARREL DEPTH.
 △ TOLERANCE OF LEAD LENGTH:
 UP TO 24 INCHES [609.6] = ±.12 [±3.1]
 24 INCHES [609.6] & UP = ±1%
- OPERATING VOLTAGE: 40 KVDC AT 0 TO 70,000 FEET, -55° C TO 125° C.
- MINIMUM PRODUCIBLE LENGTH OF THIS PRODUCT IS 8.00" [203.2].

THIS DRAWING IS A CONTROLLED DOCUMENT FOR AMP INCORPORATED. IT IS SUBJECT TO CHANGE AND THE CONTROLLING ENGINEERING ORGANIZATION SHOULD BE CONTACTED FOR THE LATEST REVISION.

DO NOT SCALE PRINT. UNLESS SPECIFIED DIMENSIONS IN INCHES [mm] TOLERANCES ON: 2 PLC DEC ± .02 [0.5] 3 PLC DEC ± - ANGLES ± -	DR 12-18-92 C.C.THOMAS	AMP Incorporated Harrisburg, PA 17105-3608	
SEE CALLOUTS	CHK 1-6-93 S.GLATFELTER		
FINISH SEE CALLOUTS	APPD 1-6-93 S.GLATFELTER	NAME LEAD ASSY, DBL END, LGH-3	
	RLSE 1-6-93 C.C.THOMAS	SIZE C	CAGE CODE 00779
	PRODUCT SPEC -	SCALE 2:1	DRAWING NO C-830649
	APPLICATION SPEC -	SHEET 10F 1	
	WEIGHT -	CUSTOMER DRAWING	