

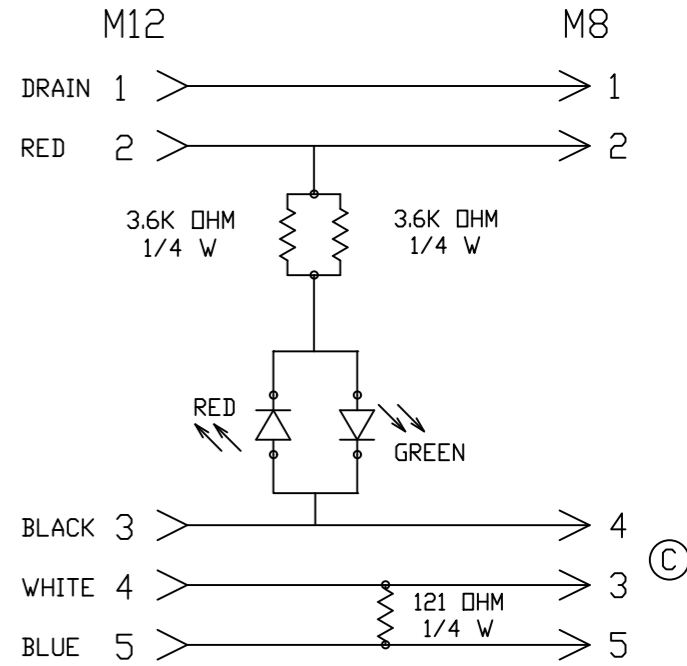
- NOTES:**
1. MATERIAL: AS NOTED
 2. FINISH: AS NOTED
 3. ELECTRICAL:
VOLTAGE: 30VDC
CURRENT: 2.4A
 4. TEMP RATING: -20°C TO +80°C
 5. PROTECTION: IP67 (WHEN MATED)
 6. COUPLING THREAD: M12 X 1.0 & M8 X 1.0
 7. ALL DIMS ARE FOR REFERENCE UNLESS TOLERANCED OR NOTED OTHERWISE

PART NUMBER LEGEND

8450T7D12M012
 FINISHED LENGTH:
 M005= 0.5 METER
 M010= 1.0 METER
 M100= 10.0 METERS

CABLE LENGTH TOLERANCES

<.3M [1FT]:	+19mm-0 [+ .75in-0]
.3 - .9M [1 - 3FT]:	+44.5mm-0 [+1.75in-0]
.9 - 1.8M [3 - 6FT]:	+55.6mm-0 [+2.19in-0]
1.8 - 3.7M [6 - 12FT]:	+88.9mm-0 [+3.50in-0]
3.7 - 7.3M [12 - 24FT]:	+165.1mm-0 [+6.50in-0]
7.3-14.6M [24 - 48FT]:	+317.5mm-0 [+12.50in-0]
14.6 - 30.5M [48-100FT]:	+622.3mm-0 [+24.50in-0]
OVER 30M [100FT]:	+2% OF FINISHED LENGTH



ITEM	DESCRIPTION	MATERIAL	FINISH
12	WRAP LABEL	VINYL	BLACK/YELLOW
11	OVERMOLD (M8)	TPC	GRAY
10	COUPLING NUT (M8)	BRASS	NICKEL PLATED
9	CONTACT PIN	Cu ALLOY	GOLD PLATED
8	SLEEVE	Cu ALLOY	NICKEL PLATED
7	INSERT (M8, MALE)	PUR	BLACK
6	OVERMOLD (M12)	PUR	CLEAR
5	COUPLING NUT (M12)	BRASS	NICKEL PLATED
4	O-RING	NITRILE	RED
3	CONTACT SOCKET	Cu ALLOY	GOLD PLATED
2	INSERT (M12, FEM.)	PUR	BLACK
1	DEV-NET DROP CABLE, 2P, 26AWG CORD	PVC JACKET	GRAY

PART NO.	ENGINEERING NO.	FINISHED LENGTH
1300300079	8450T7D12M012	1.2M [3'11"]
1300300080	8450T7D12M010	1.0M [3'3"]

FUNCTIONAL SYMBOLS		THIS DRAWING CONTAINS INFORMATION THAT IS PROPRIETARY TO MOLEX ELECTRONIC TECHNOLOGIES, LLC AND SHOULD NOT BE USED WITHOUT WRITTEN PERMISSION			
DIMENSION UNITS		SCALE			
INCH/MM		1:1		MIC 90D FE TO NC ST MALE	
GENERAL TOLERANCES (UNLESS SPECIFIED)		CURRENT REV DESC: REVISED WIRE DIAGRAM FOR CIRC'S 3 & 4, ADD WIRE COLORS		5P MIC TERMINATED LED #26/4 AWG DROP PVC CABLE	
4 PLACES ±--- ±---		EC NO: 666022		PRODUCT CUSTOMER DRAWING	
3 PLACES ±--- ±---		DRWN: RSTONE 2021/06/03		DOCUMENT NUMBER	
2 PLACES ±--- ±---		CHK'D: ALEON01 2021/06/08		SD-130030-001	
1 PLACE ±--- ±---		APPR: BWOODMAN 2021/06/09		DOC TYPE/DOC PART/REVISION	
0 PLACES ±--- ±---		INITIAL REVISION:		PSD 001 B	
ANGULAR TOL ± --- °		DRWN: VOU 2009/04/23		MATERIAL NUMBER	
DRAFT WHERE APPLICABLE MUST REMAIN WITHIN DIMENSIONS		APPR: JFMURPHY 2009/05/15		CUSTOMER	
THIRD ANGLE PROJECTION		DRAWING		GENERAL MARKET	
B-SIZE		SERIES		SHEET NUMBER	
130030		SEE P/N LEGEND		1 OF 1	