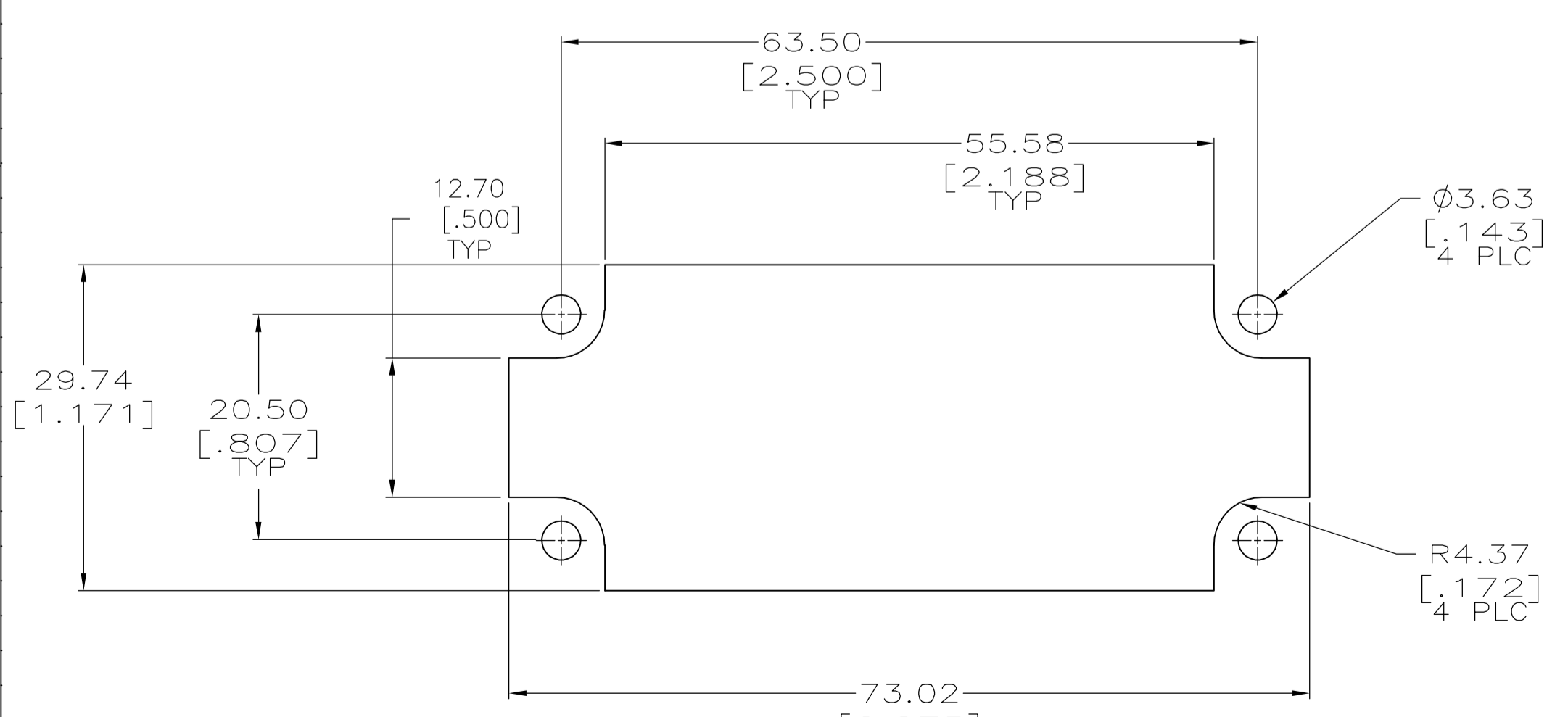
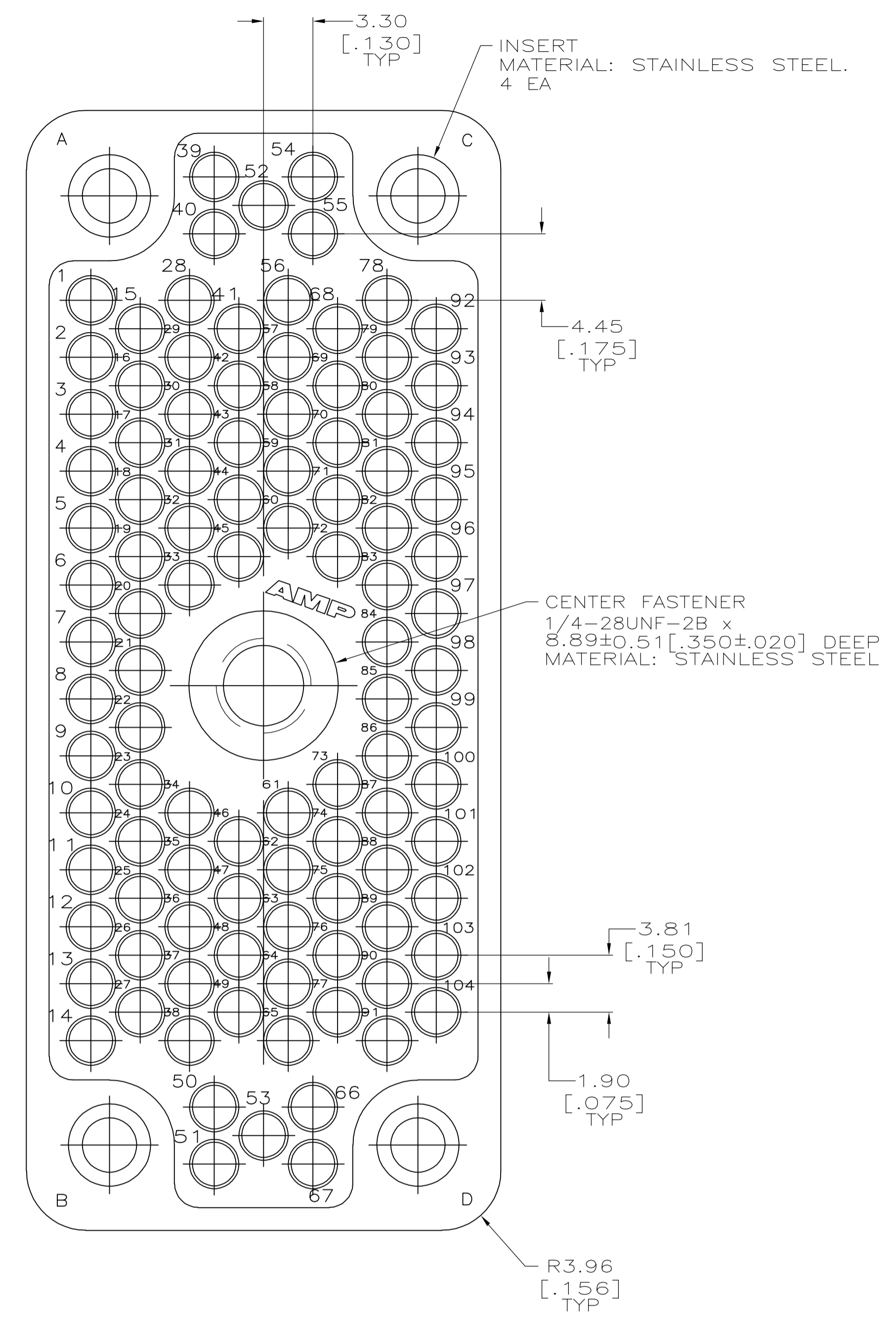
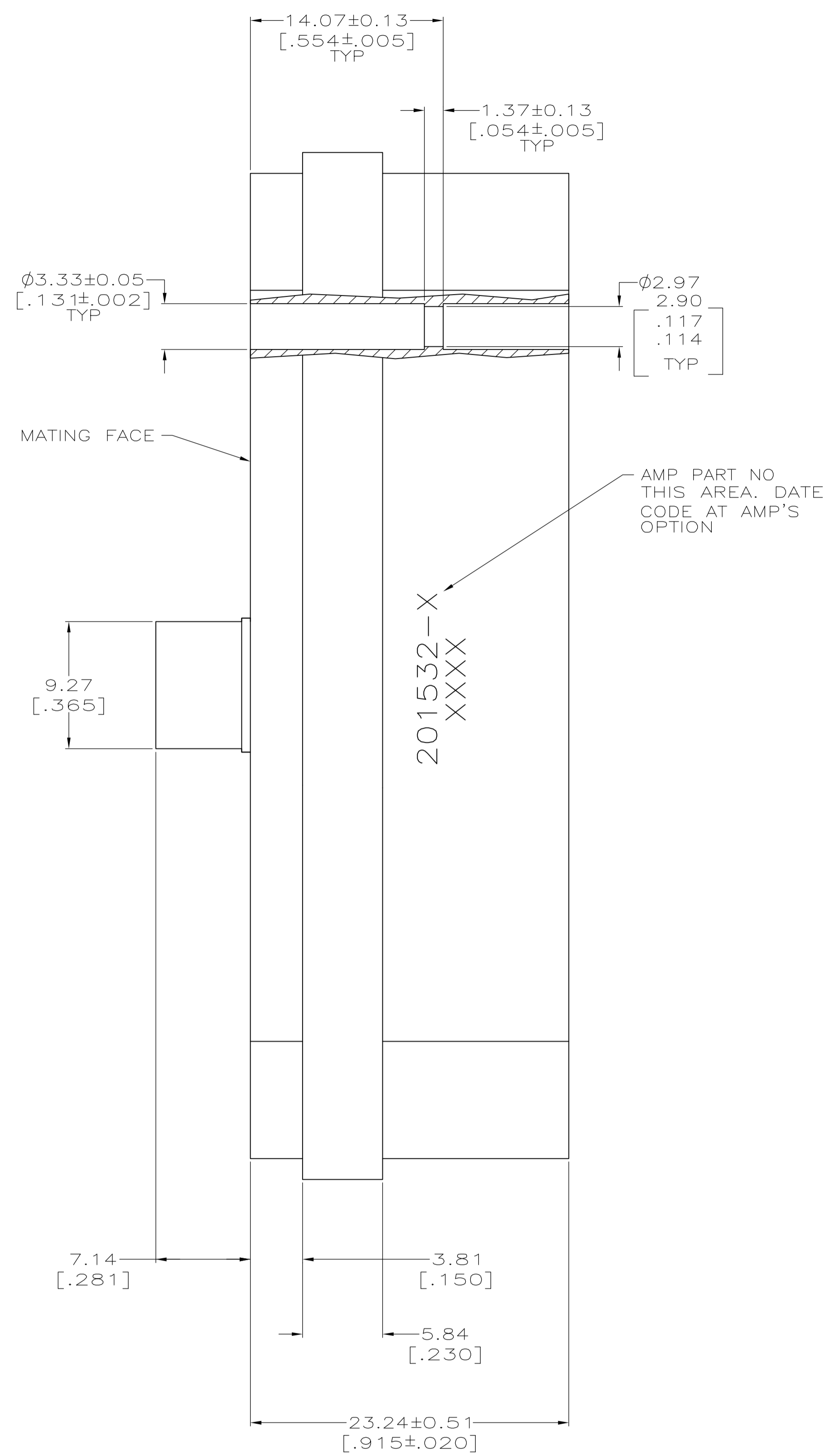
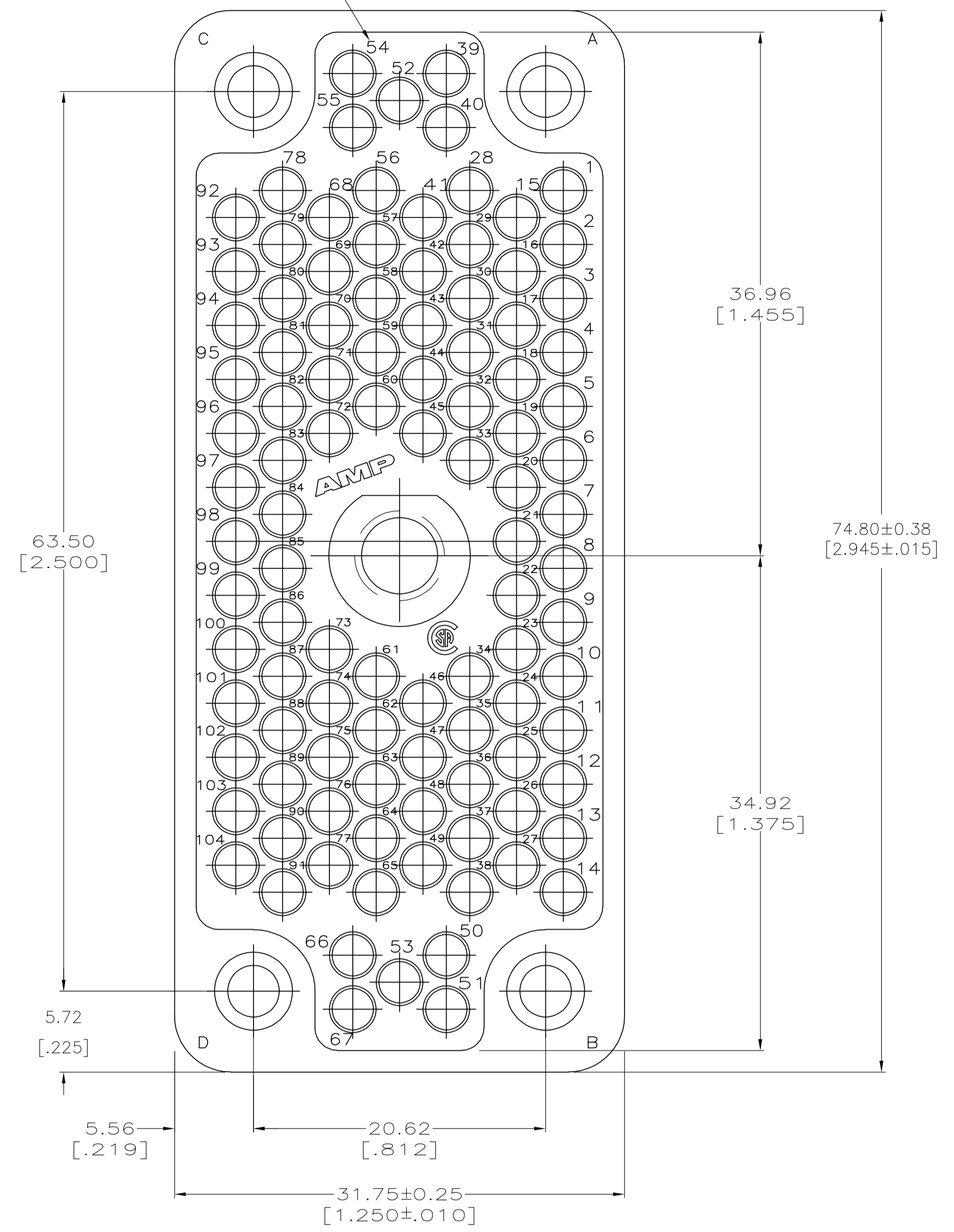


LOC		DIST		REVISIONS			
F	L/R	DESCRIPTION	DATE	BY	APP'D		
V		REVISED PER ECO-07-004229	2/23/07	SS	GS		

MOLDED CHARACTERS BOTH SIDES



RECOMMENDED PANEL CUT-OUT
SCALE 2:1

- △ DIALLYL PHTHALATE PER MIL-M-14-F, TYPE SDG-F, BLUE.
- △ PHENOLIC PER MIL-M-14-F, TYPE MFH, BLACK.
- 3. ACCOMODATES TYPE II OR TYPE III SIZE #16 CONTACTS.

△	201532-4
△	201532-2
MATERIAL	PART NUMBER

THIS DRAWING IS A CONTROLLED DOCUMENT.		DWN C. REIFSNYDER 28 JUN 96		tyco Tyco Electronics Corporation	
DIMENSIONS: mm [INCHES]		CHK R. STONE 13 MAR 96		Harrisburg, PA 17105-3608	
TOLERANCES UNLESS OTHERWISE SPECIFIED:		APVD G.A. STEINHAEUER 25 JUN 96		RECEPTACLE HOUSING, M SERIES	
0 PLC ± -	1 PLC ± -	PRODUCT SPEC		SIZE A1	
2 PLC ± 0.38[015]	3 PLC ± -	APPLICATION SPEC		CAGE CODE 00779	
4 PLC ± -	ANGLES ± -	WEIGHT		DRAWING NO. 201532	
MATERIAL SEE CALLOUTS		FINISH		CUSTOMER DRAWING	
		SCALE 4:1		SHEET 1 OF 1	
		REV V			