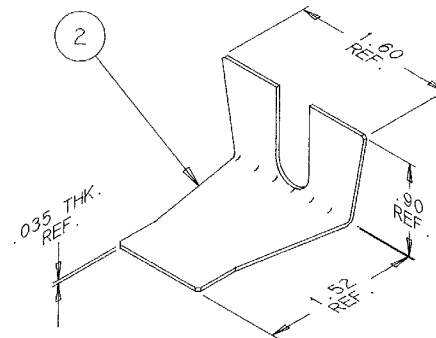
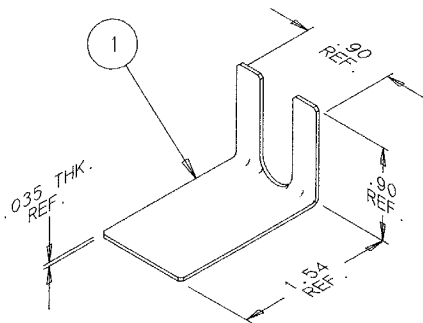


REVISIONS			
LTR	DESCRIPTION	DATE	APPROVED
N/C	NEW RELEASE PER ECN T-16734	9/20/91	<i>[Signature]</i>



ITEM	QTY	DESCRIPTION
1	2	BLADE, 1" MTC REMOVAL
2	2	BLADE, 1.5" MTC REMOVAL

If this document is printed it becomes uncontrolled. Check for the latest revision.

SPECIFICATION CONTROL DRAWING © Raychem Corporation 1988

<p>UNLESS OTHERWISE SPECIFIED DIMENSIONS ARE IN INCHES. METRIC DIMENSIONS ARE IN BRACKETS.</p> <p>DECIMALS .XXX ± [mm] .XX ± [mm]</p> <p>ANGLES</p> <p>WEIGHT lbs [g]</p>	DRAWN	<i>R. RAMIREZ</i>	9/20/91	<p>Raychem</p> <p>RAYCHEM CORPORATION 300 CONSTITUTION DRIVE MENLO PARK, CALIFORNIA 94025</p>	
	CHECKED				
	APPROVED	<i>[Signature]</i>	9/20/91	<p>TITLE</p> <p>INSERT REMOVAL BLADE SET</p> <p>CE-1604800</p>	
	APPROVED				
	CAD NAME	69		SIZE	CODE IDENT. NO.
THIRD ANGLE PROJECTION		B	06090	CE-1604800	
DO NOT SCALE THIS DRAWING			SCALE 1/1		