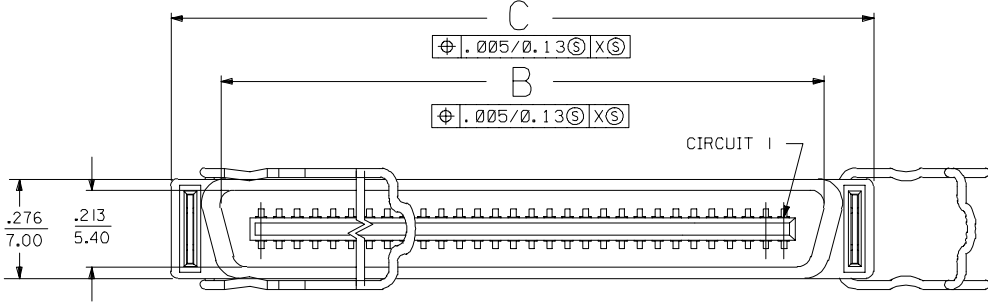


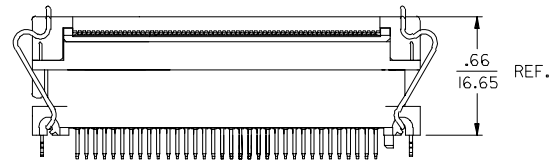
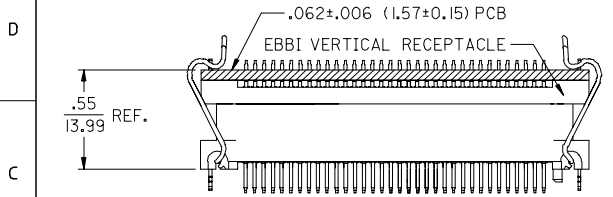
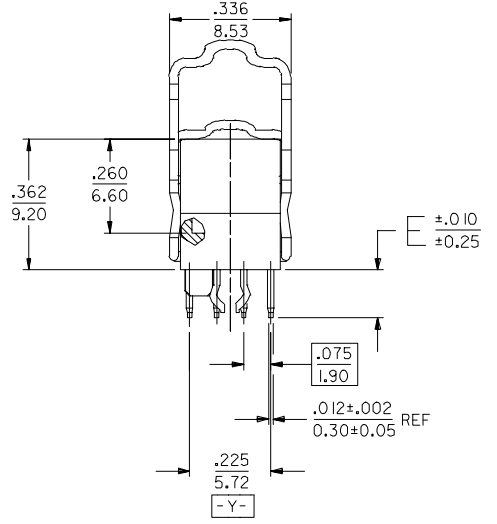
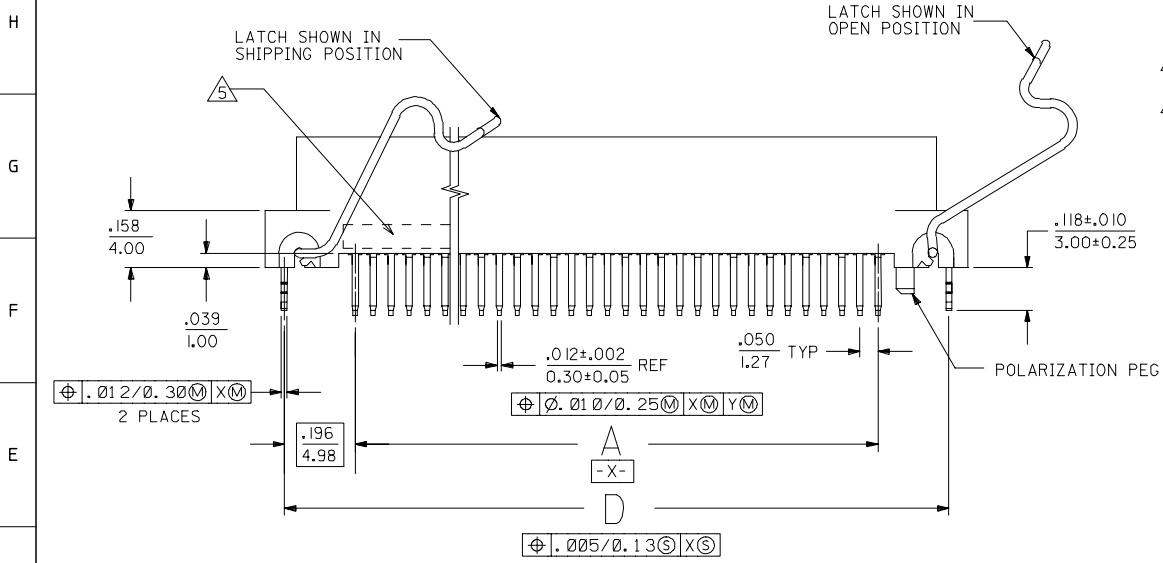
13 12 11 10 9 8 7 6 5 4 3 2 1



**NOTES:**

- 1) MATERIALS:  
HOUSING - LIQUID CRYSTAL POLYMER (LCP), GLASS FILLED, UL94V-0, COLOR: BLACK  
TERMINALS - COPPER ALLOY  
METAL PEGS - COPPER ALLOY  
METAL LATCHES - STAINLESS STEEL.
- 2) PLATING:  
TERMINALS:  
30 MICROINCH/0.76 MICROMETER MINIMUM GOLD IN CONTACT AREA AND 50 MICROINCH/1.27 MICROMETER MINIMUM TIN IN TAIL AREA OVER NICKEL UNDERPLATING OVERALL.  
METAL PEGS:  
50 MICROINCHES/1.27 MICROMETER MINIMUM TIN
- 3) ASSEMBLY MATES WITH MOLEX P/N 71660-\*\*\*\*. CONFORMS TO PRODUCT SPECIFICATION PS-71660.

- ▲ RECOMMENDED P.C. BOARD THICKNESS IS .062 (1.6).
- ▲ FOUR DIGIT DATE CODE (WK YR), EXAMPLE => 26 96 LOCATED IN AREA INDICATED.



EBBI VERTICAL RECEPTACLE SHOWN LATCHED TO EBBI PLUG (SDA-71660-3\*\*\*)

EBBI IDT RECEPTACLE SHOWN LATCHED TO EBBI PLUG (SDA-71660-3\*\*\*)

**REFERENCE APPLICATION VIEWS**

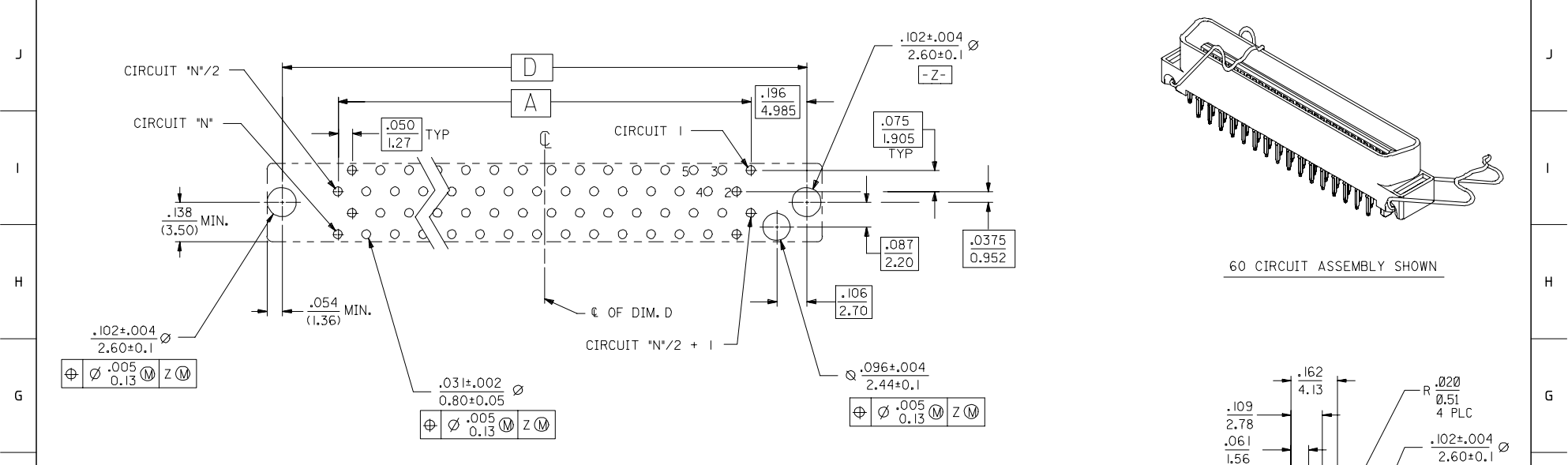
NOTE FOR LEAD FREE CONVERSION:  
THE PRIMARY SHIPPING CARTON WILL BE LABELED "COMPLIANT TO ROHS DIRECTIVE 2002/95/EC AND ELV ANNEX II OF DIRECTIVE 2000/53/EC". CARTONS WITHOUT THIS LABEL MAY CONTAIN PRODUCT WITH LEAD.

2	C
1	C
SHT	REV

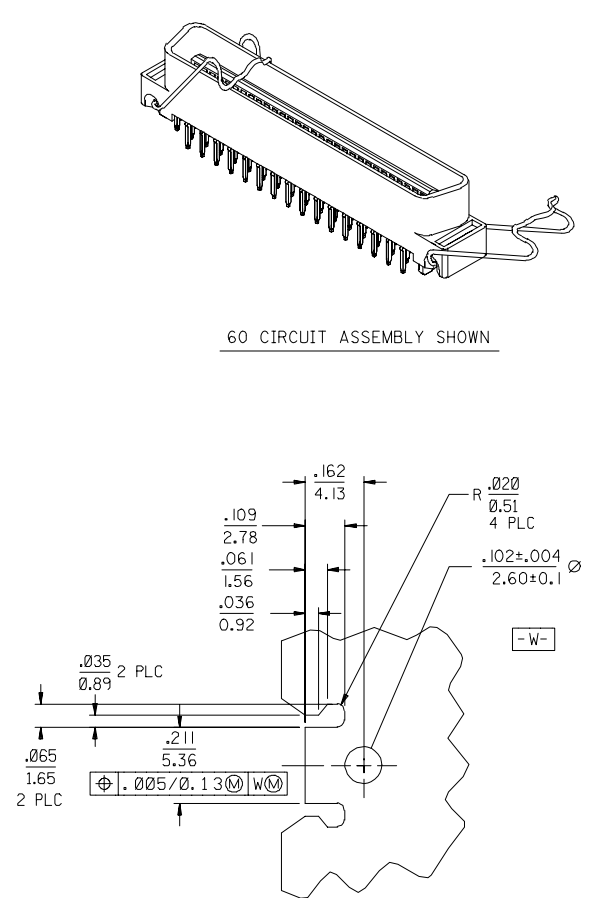
CHG LATCH GEO FC NO: UCP2005-2042 DRAWNSMART 2005/07/19 CHKD:BBARKER 2005/07/19 APPR:SMILLER 2005/07/20 DESCRIPTION	QUALITY SYMBOLS	GENERAL TOLERANCES (UNLESS SPECIFIED)	DIMENSION STYLE	SCALE	DESIGN UNITS	THIRD ANGLE PROJECTION
	=0 =0	mm INCH 4 PLACES ± --- ± --- 3 PLACES ± --- ± .005 2 PLACES ± 0.13 ± .01 1 PLACE ± 0.25 ± --- ANGULAR ±1/2°	IN/MM DRAWN BY DATE DGA 09/15/2005 CHECKED BY DATE RAN 09/15/2005 APPROVED BY DATE GWF 09/15/2005	4:1	INCH	MOLEX INCORPORATED SALES ASSEMBLY MOLEX EBBI 50D VERT PLUG WITH BAIL LATCHES
	DRAFT WHERE APPLICABLE MUST REMAIN WITHIN DIMENSIONS	SEE TABLE	MATERIAL NO.	DOCUMENT NO.	SHEET NO.	
				SDA-71661-15**	1 OF 2	

12 11 10 9 8 7 6 5 4 3 2 1

13 12 11 10 9 8 7 6 5 4 3 2 1



RECOMMENDED PC BOARD LAYOUT COMPONENT SIDE



DETAIL FOR RECEPTACLE PCB LATCHING

	.134 (3.40)	2.042 (51.88)	2.149 (54.58)	1.875 (47.65)	1.650 (41.91)	68	71661-1569	PK-70873-0845
	.134 (3.40)	1.842 (46.80)	1.949 (49.50)	1.676 (42.57)	1.450 (36.83)	60	71661-1561	PK-70873-0845
	.110 (2.79)	2.342 (59.50)	2.449 (62.20)	2.176 (55.27)	1.950 (49.53)	80	71661-1580	PK-70873-0846
	.110 (2.79)	2.042 (51.88)	2.149 (54.58)	1.875 (47.65)	1.650 (41.91)	68	71661-1568	PK-70873-0845
C	.110 (2.79)	1.842 (46.80)	1.949 (49.50)	1.676 (42.57)	1.450 (36.83)	60	71661-1560	PK-70873-0845
	.110 (2.79)	1.092 (27.75)	1.199 (30.45)	.925 (23.52)	.700 (17.78)	30	71661-1530	PK-70873-0840
	E	D	C	B	A	CKT (*N)	MATERIAL NUMBER	PACKAGING SPECIFICATION

CHG ISO GEOMETRY FC NO: UCP2005-2042 DRAWNSMART 2005/07/19 CHKD:BBARKER 2005/07/19 APPR:SMILLER 2005/07/20	QUALITY SYMBOLS ▽=0 ▽=0	GENERAL TOLERANCES (UNLESS SPECIFIED)		DIMENSION STYLE ECD/M/M/L	SCALE 1:1	DESIGN UNITS INCH	THIRD ANGLE PROJECTION	
		4 PLACES ±.005 ±.005 3 PLACES ±.005 ±.005 2 PLACES ±.013 ±.01 1 PLACE ±0.25 ±.01 ANGULAR ±1/2°	DRAWN BY DGA 09/15/1996	DATE 09/15/1996	CHECKED BY RAN 09/15/1996	DATE 09/15/1996	APPROVED BY GWF 09/15/1996	MATERIAL NO. SEE TABLE
DRAFT WHERE APPLICABLE MUST REMAIN WITHIN DIMENSIONS		THIS DRAWING CONTAINS INFORMATION THAT IS PROPRIETARY TO MOLEX INCORPORATED AND SHOULD NOT BE USED WITHOUT WRITTEN PERMISSION						

13 12 11 10 9 8 7 6 5 4 3 2 1