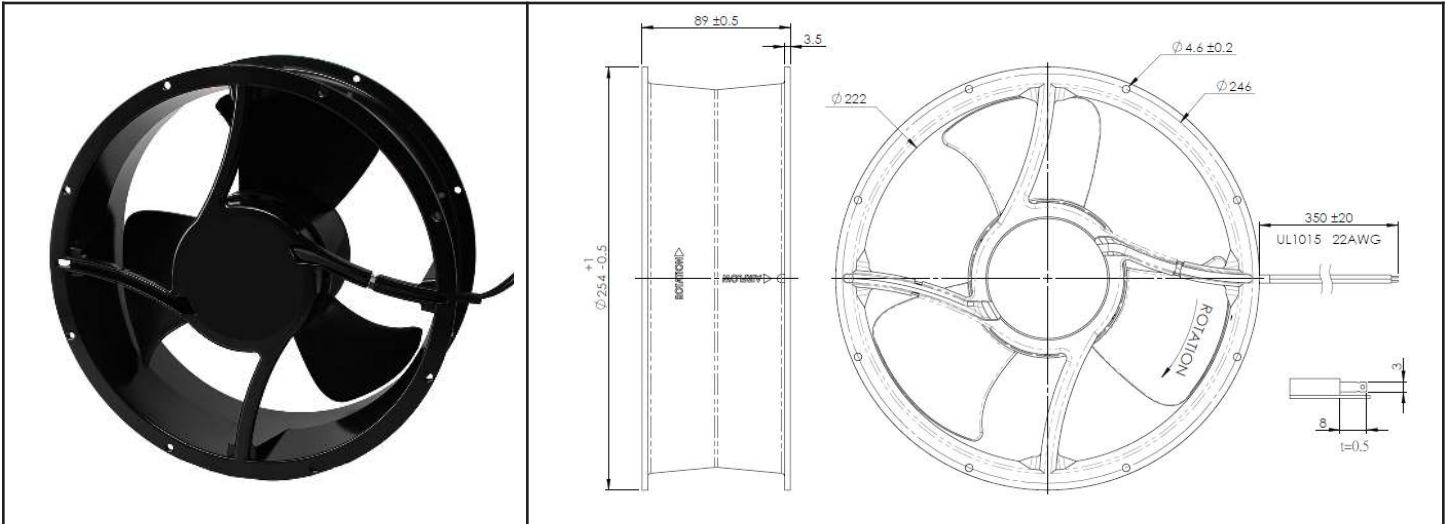


OA254EC Series



EC Fan Universal voltage
254x89mm (10.0"x 3.5")



Frame	Diecast Aluminum
Impeller	PBT UL94V0- Plastic
Connection	2x 350mm Lead wires (22AWG) or terminals
Motor	Brushless EC motor, electronically protected
Bearing System	Dual ball
Insulation Resistance	>10M ohm between lead-wire and frame (500VDC)
Dielectric Strength	1 sec at 1800 VAC, 50/60Hz

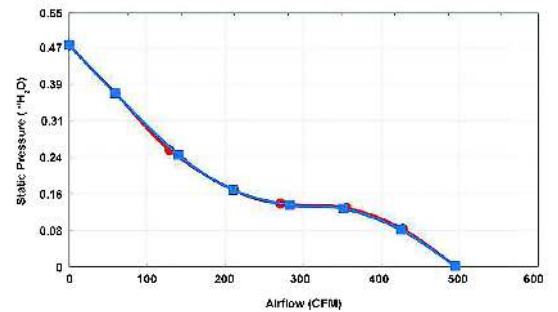
Operating Temperature
Ball Bearing
-20C ~ +70C

Life Expectancy
Ball Bearing
60,000 hours (L10 at 40C)

Weight: ~ 4.61 lbs

Storage Temperature
-30C ~ +75C

m2



Part Number	OA254EC-UR-1 *
Nominal Voltage	95-264 VAC
Rated Power	21W/22W (115/230VAC)
Rated Current	0.35A/0.21A (115/230VAC)
Frequency (Hz)	50 / 60
Rated Speed (RPM)	1700
Airflow (CFM)	500
Noise Level (dB)	56
Max. Static Pressure	0.48" H ₂ O

* Indicate "TB" (Terminal Ball Bearing), "WB" (13.78" Wire Leads, Ball Bearing)