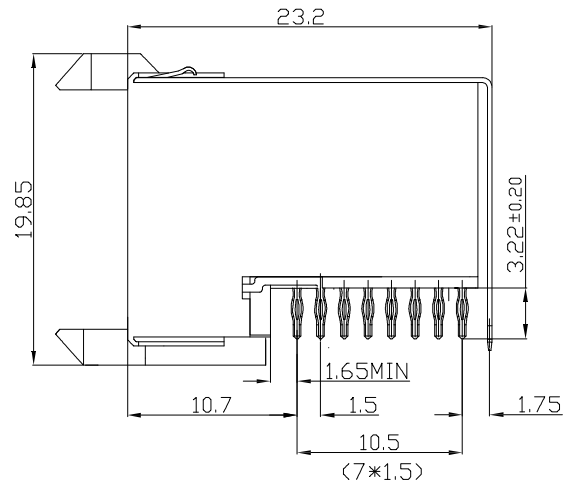
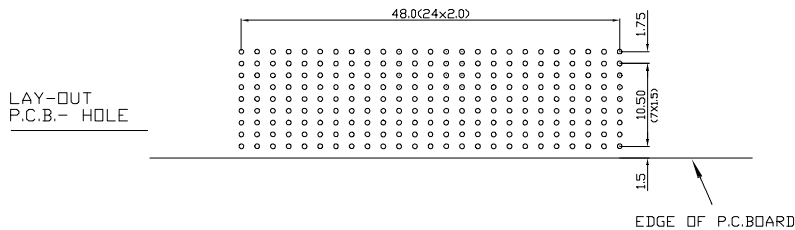
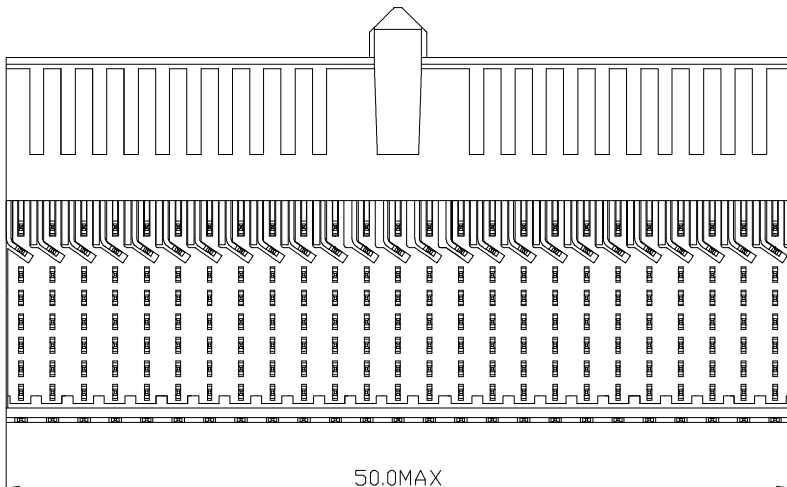
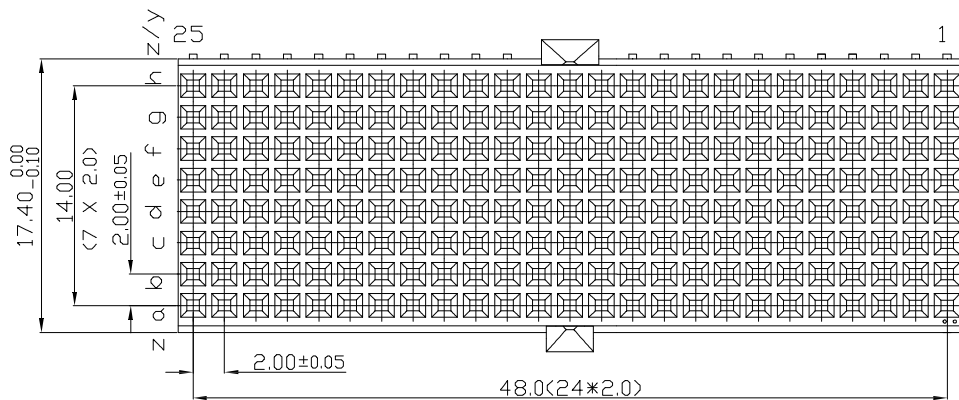


Tous droits strictement reserves. Reproduction ou communication a des tiers interdite sous quelque forme que ce soit sans autorisation ecrite du proprietaire. Propriete de c FCI. Droits de reproduction FCI.



All rights strictly reserved. Reproduction or issue to third parties in any form whatever is not permitted without written authority from the proprietor. Property of FCI. Copyright FCI.



PERFORMANCE CHARACTERISTICS

CURRENT RATING 1.5A AT 20°C (FULLY LOADED)
 1 A AT 70°C (FULLY LOADED)
 RATED VOLTAGE : 500 V AC (CONT /CONT)
 OPERATING TEMPERATURE : -55°C TO 125°C
 CONTACT RESISTANCE 20 MΩ MAX
 INSERTION FORCE : 0.75N MAX/CONT
 EXTRACTION FORCE : 0.15N MIN/CONT
 INSULATION RESISTANCE : 10⁴ MΩ MIN

- NOTES 1. LEAD FREE INDICATOR LF=LEAD FREE
 PERFORMANCE LEVEL INDICATOR (REF DVG NDB3C 201844.003)
 2. THIS PRODUCT IS CSA APPROVED. THIS PRODUCT IS UL RECOGNIZED.
 3. FOR RECOMMENDED PTH DIMENSIONS REFER DRAWING : BS.A.201572.001
 4. THIS PRODUCT (LF) MEETS EUROPEAN UNION DIRECTIVES AND OTHER COUNTRY REGULATIONS AS DESCRIBED IN GS-22-008

rev	ecn no	dr	date
A	CONVERSION REVISION 06	KN	14-09-01
B	DG05-0278	MINI	02-08-05
C	DG07-0141	Kason	04-09-07
D	DG07-0362	Kason	05-09-07
E	DG10-0110	NZ	2010.8.9

FCI		www.fciconnect.com	✓	tolerance 1DEC ±0.2 1DEC 2DEC ±0.1 2DEC ANGLES ±1° HOEKEN	projection MM
Dr	M.Fret	06-11-00	Product family	MILLIPICS	size
Eng			Spec ref		A4
Chr			Material		Scale 3/1
Appr					ECN
title			MPACS 8+2R RA RCP CONN TYPE DE/UPPER SHIELDED		dwg no
catalog no			HM2R95PA810F----		BS,C ,202260,024
				CUSTOMER	Rev. E
				sheet 1 of 1	