



Main

Range of Product	Lexium Altivar
Product or Component Type	EMC input filter
Range Compatibility	Altivar 32 Altivar Machine ATV320 Lexium 28
Product compatibility	LXM28A ATV32, 200...240 V, 2.2 kW Variable speed drive ATV320...B 2.2 kW, 200...240 V, single phase
Product Specific Application	Radio interference input filter
Mounting Location	At variable speed drive side
Phase	Single phase

Complementary

Maximum cable distance between devices	65.62 Ft (20 m) IEC 61800-3 category C1 164.04 ft (50 m) IEC 61800-3 category C2
Line Rated Current	23.9 A
Thermal losses	7.5 W
Network rated voltage	200...240 V
Tolerance	- 15...10 %
Net Weight	2.49 lb(US) (1.13 kg)
Emc filter compatibility	Type 026

Ordering and shipping details

Category	22152 - ATV320/ATV312/ATV32 (.25 THRU 7.5HP)
Discount Schedule	CP4B
GTIN	3606480320897
Nbr. of units in pkg.	1
Package weight(Lbs)	31.04 oz (880 g)
Returnability	No
Country of origin	TH

Packing Units

Unit Type of Package 1	PCE
Package 1 Height	2.24 in (5.7 cm)
Package 1 width	8.94 in (22.7 cm)
Package 1 Length	10.83 in (27.5 cm)
Unit Type of Package 2	S04
Number of Units in Package 2	11
Package 2 Weight	23.54 lb(US) (10.678 kg)
Package 2 Height	11.81 in (30 cm)
Package 2 width	15.75 in (40 cm)
Package 2 Length	23.62 in (60 cm)

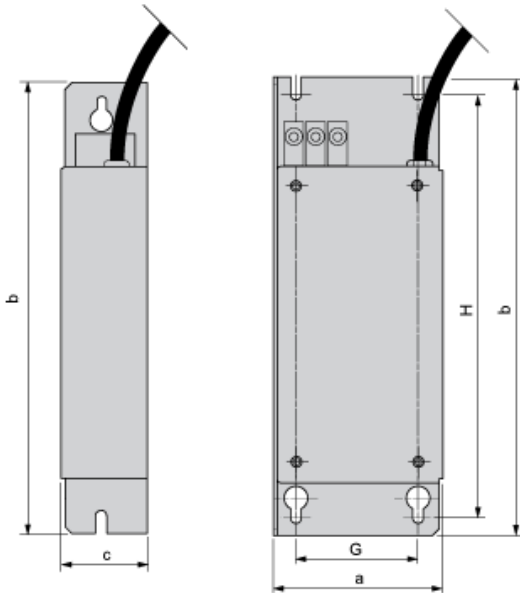
Offer Sustainability

California proposition 65	WARNING: This product can expose you to chemicals including: Lead and lead compounds, which is known to the State of California to cause cancer and birth defects or other reproductive harm. For more information go to www.P65Warnings.ca.gov
REACH Regulation	REACH Declaration
REACH free of SVHC	Yes
EU RoHS Directive	Pro-active compliance (Product out of EU RoHS legal scope) EU RoHS Declaration
Toxic heavy metal free	Yes
Mercury free	Yes
RoHS exemption information	Yes
China RoHS Regulation	China RoHS Declaration

Contractual warranty

Warranty	18 months
----------	-----------

Additional EMC Input Filters



Dimensions in mm

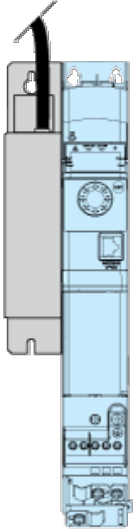
a	b	c	G	H	Ø
140	235	35	120	215	4.5

Dimensions in in.

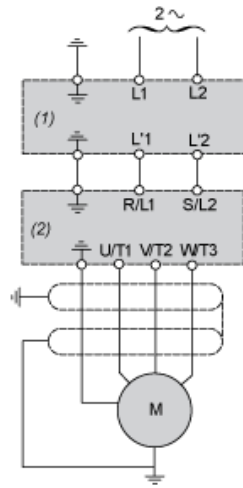
a	b	c	G	H	Ø
5.51	9.25	1.38	4.72	8.46	0.18

Mounting Recommendations

Mounting the Filter on the Side of the Drive



Recommended Schema



- (1) Filter
- (2) Drive