

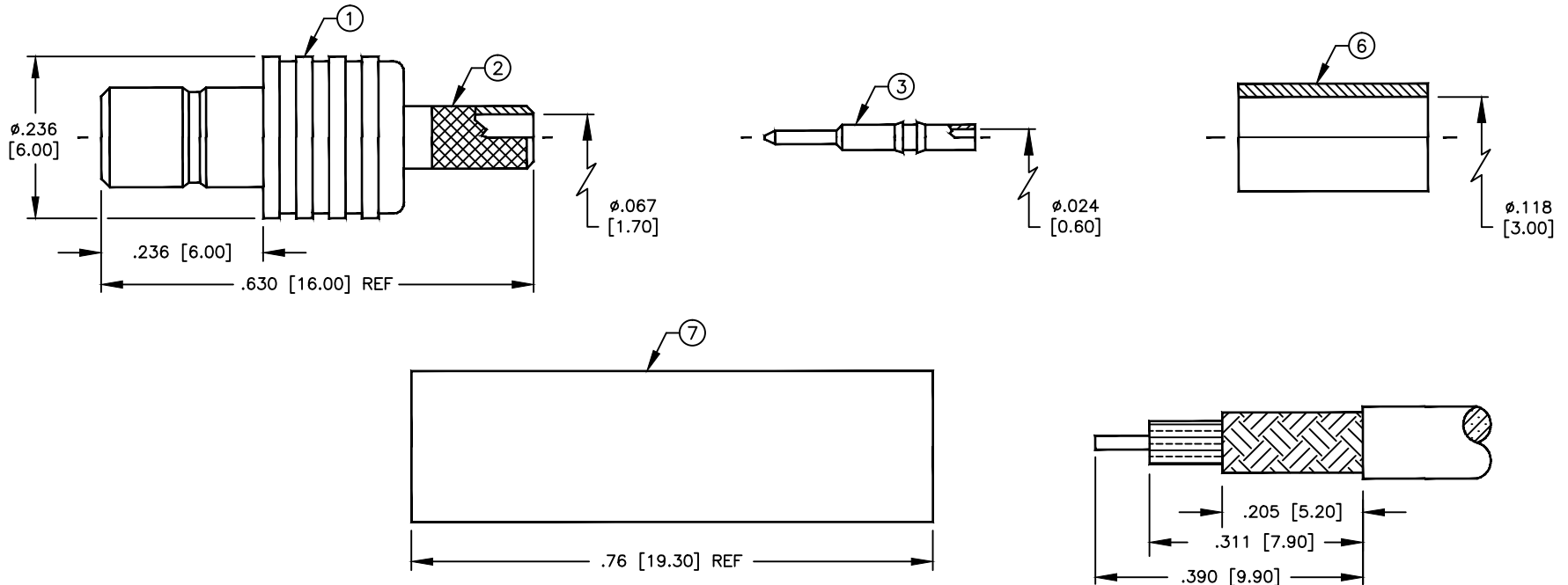
SPECIFICATION CONTROL DRAWING

THIS DRAWING CONTAINS INFORMATION PROPRIETARY TO RF INDUSTRIES, LTD. ANY UNAUTHORIZED USE OF THIS DRAWING IS EXPRESSLY PROHIBITED. ANY VIOLATION IS PUNISHABLE UNDER U.S. COPYRIGHT LAWS.

REV	DESCRIPTION	DWN	DATE	APPROVED
A	ENGINEERING RELEASE	KMM	2/6/96	R. RICE
B	ENGINEERING RELEASE	CZS	11/17/97	R. RICE

ALL DIMENSIONS ARE REFERENCE ONLY

008974



SPECIFICATIONS:

IMPEDANCE: 50 OHMS
 WORKING VOLTAGE: 400 VRMS @ SEA LEVEL
 FREQUENCY RANGE: 0-4 GHz
 INSERTION LOSS: \leq -25 dB @ 4 GHz
 VSWR MAX: 1.3:1 @ 4 GHz
 FOR RG-174, 188, 188A, 316/U, ALPHA 9174, 9316,
 BELDEN 8216, 83269, 83284, 84316 & TIMES LMR-100 CABLE

SUGGESTED STRIPPING INSTRUCTIONS
 SUGGESTED CRIMP DIE: .130
 PIN TO BE SOLDERED

DIMENSIONS ARE IN INCHES AND [MILLIMETERS]

UNLESS OTHERWISE NOTED TOLERANCES ARE:
 DECIMALS DIAMETER

DRAWN C. ZUNIGA 11/17/97

CHECKED

ORJ DRAWN K. MAXWELL 2/6/96

APPROVALS DATE

RF

connectors

DIVISION OF RF INDUSTRIES, LTD.

7610 MIRAMAR RD
 SAN DIEGO, CA 92126
 (619)549-6340
 (619)549-6345 FAX

RSB-4050-B

SMB CRIMP JACK

ITEM	DESCRIPTION	QTY	MATERIAL	FINISH
7	TUBING	1	HEAT SHRINK	BLACK
6	FERRULE	1	COPPER	NICKEL
5	DIELECTRIC	1	PTFE	NONE
4	DIELECTRIC	1	PTFE	NONE
3	PIN	1	BRASS	GOLD
2	FERRULE STUD	1	BRASS	NICKEL
1	BODY	1	BRASS	NICKEL

SIZE	CABLE GROUP	DWG NO.	REV
A	B	8603	B
SCALE: 4 : 1		CAD FILE 13ARC B	SHEET 1 OF 1