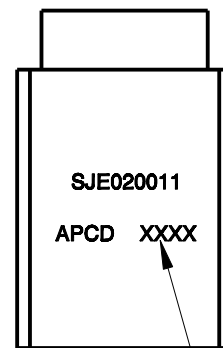
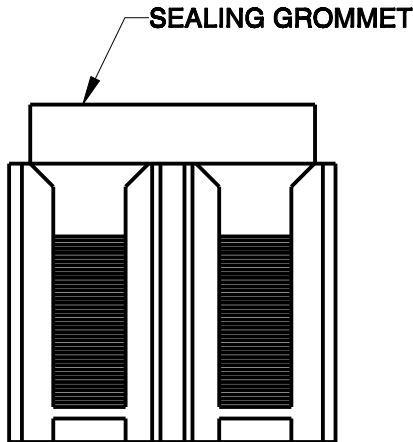
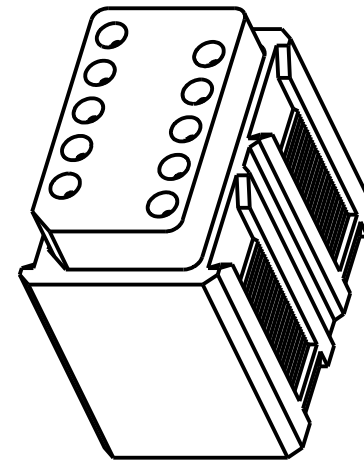
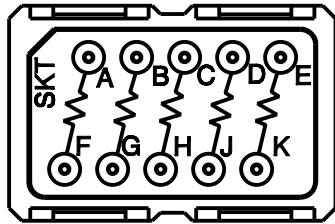


| REV | ECN | APP'D |
|-----|------|-------|
| - | 6011 | |



DATE CODE

NOTES:

- 1. MATERIALS:**
 BODY: POLYETHERIMIDE PER MIL-P-46184.
 GROMMET: SILICONE BLEND ELASTOMER.
 RESISTOR: 10K Ω , 1/10 WATT. PER MIL-PRF-55182
 INTERNAL PIN CONTACT:
 COPPER ALLOY, HARD GOLD PLATE PER MIL-G-45204.
- 2. PERFORMANCE SPECIFICATION PER MIL-T-81714.**
 (SUBJECT TO LIMITATIONS OF THE ELECTRONIC COMPONENTS)
 TEMPERATURE: -65° C TO 200° C.
 INSULATION RESISTANCE: 5000 MEGOHMS MIN AT 25° C.
 DIELECTRIC WITHSTANDING VOLTAGE:
 1500 VRMS AT SEA LEVEL,
 AND 200 VRMS AT 100,000 FT. ALTITUDE.
 CURRENT RATING: 7.5A FOR SIZE 20 CONTACTS.
 VIBRATION AND SHOCK: PER MIL-T-81714 PARA 3.5.8 & 9.
- 3. MODULE ACCEPTS SOCKET CONTACTS (6) M39029/22-192.**
- 4. MODULE TO BE MOUNTED ON M81714/67 RAIL SYSTEM.**

| | | | | | | | | |
|---|--|-----------------------|---------------------------------------|--|-------------------------|--|--------------|-----------------|
| DIMENSIONS ANSI Y14.5M UNITS: INCHES Pro/E FILE | TOLERANCES .XX ±0.01 .XXX ±0.005 ANGLES ±1.0° | PROJECTION | Amphenol Pcd | | | <i>TITLE</i> SJE SERIES ELECTRONIC MODULE | | |
| | | | <i>ENGR</i> E. RABINOWITZ 02/01/07 | | | | | |
| ORIGINAL | THIS DOCUMENT CONTAINS PROPRIETARY INFORMATION WHICH IS THE CONFIDENTIAL PROPERTY OF AMPHENOL PCD PEABODY, MA, USA | <i>CHKD</i> | | | <i>SIZE</i> A | <i>DWG NO.</i> SJE020011 | | <i>REV</i> - |
| | | <i>APPD</i> | | | CODE: 58982 | SCALE: NONE | SHEET 1 OF 1 | |