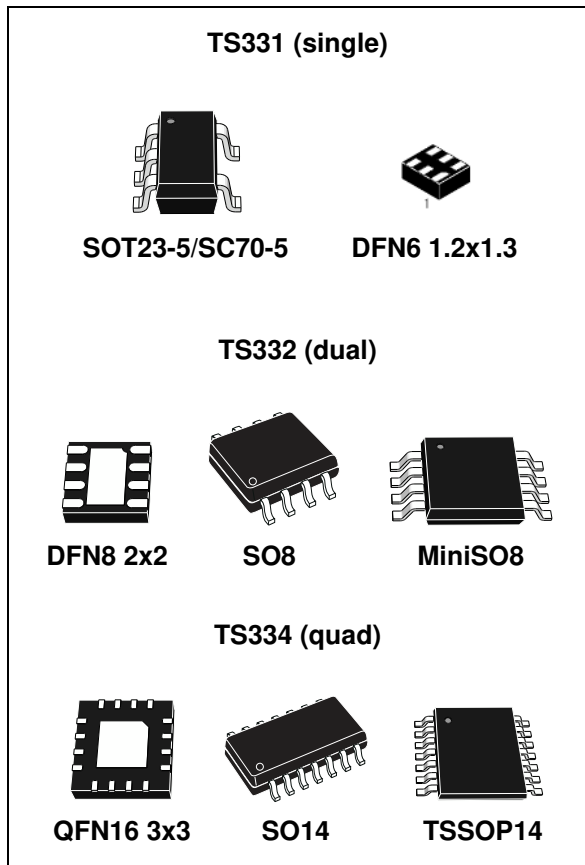


**Micropower low-voltage, rail-to-rail comparators**

Datasheet - production data

**Applications**

- Mobile phones
- Notebooks and PDAs
- Battery-supplied electronics
- General-purpose portable devices
- General-purpose low voltage applications

**Description**

The TS331, TS332 and TS334 are single, dual and quad micropower and low-voltage comparators. They can operate with a supply voltage ranging from 1.6 V to 5 V with a typical current consumption as low as 20  $\mu$ A. In addition, rail-to-rail inputs make them a perfect choice for low-voltage applications.

Their availability in tiny packages is a real advantage for overcoming space constraints.

The TS33x are specified for temperatures between -40 °C to +125 °C, making them ideal for a wide range of applications.

**Features**

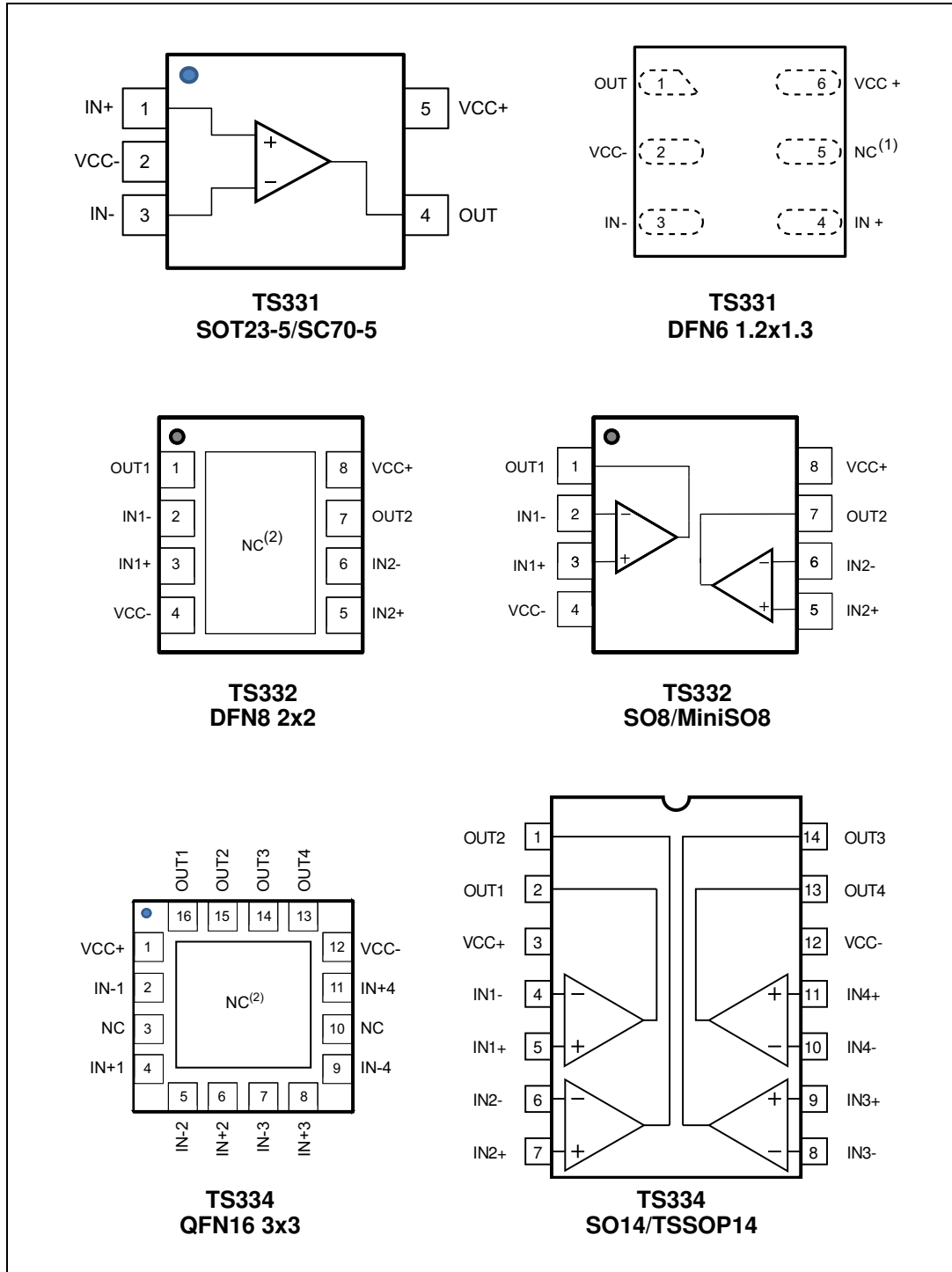
- Supply operation from 1.6 V to 5 V
- Low current consumption: 20  $\mu$ A
- Rail-to-rail inputs
- Wide temperature range: -40 °C to +125 °C
- Low output saturation voltage
- Low propagation delay: 210 ns
- Open-drain output
- ESD tolerance: 2 kV HBM/200 V MM
- SMD packages
- Automotive qualified

# Contents

<b>1</b>	<b>Package pin connections</b> .....	<b>3</b>
<b>2</b>	<b>Absolute maximum ratings and operating conditions</b> .....	<b>4</b>
<b>3</b>	<b>Electrical characteristics</b> .....	<b>6</b>
<b>4</b>	<b>Package information</b> .....	<b>13</b>
4.1	SOT23-5 package information .....	14
4.2	SC70-5 (SOT323-5) package information .....	15
4.3	DFN6 1.2x1.3 package information .....	16
4.4	DFN8 2x2 package information .....	17
4.5	SO8 package information .....	19
4.6	MiniSO8 package information .....	20
4.7	QFN16 3x3 package information .....	21
4.8	SO14 package information .....	23
4.9	TSSOP14 package information .....	24
<b>5</b>	<b>Ordering information</b> .....	<b>25</b>
<b>6</b>	<b>Revision history</b> .....	<b>26</b>

# 1 Package pin connections

Figure 1. Pin connections for each package (top view)



1. NC = not connected
2. The exposed pads of the DFN8 2x2 and the QFN16 3x3 can be connected to VCC- or left floating.

## 2 Absolute maximum ratings and operating conditions

**Table 1. Absolute maximum ratings**

Symbol	Parameter	Value	Unit
$V_{CC}$	Supply voltage <sup>(1)</sup>	5.5	V
$V_{ID}$	Differential input voltage	± 5.5	
$V_{IN}$	Input voltage range	$(V_{CC-}) - 0.3$ to $(V_{CC+}) + 0.3$	
$V_{out}$	Output voltage <sup>(1)</sup>	5.5	
$R_{thja}$	Thermal resistance junction to ambient <sup>(2)</sup>		°C/W
	SOT23-5	250	
	SC70-5	205	
	DFN6 1.2x1.3	40	
	DFN8 2x2	57	
	SO8	125	
	MiniSO8	190	
	QFN16 3x3	39	
SO14	105		
TSSOP14	100		
$R_{thjc}$	Thermal resistance junction to case <sup>(2)</sup>		
	SOT23-5	81	
	SC70-5	172	
	SO8	40	
	MiniSO8	39	
	QFN16 3x3	5	
	SO14	31	
TSSOP14	32		
$T_{stg}$	Storage temperature	-65 to +150	°C
$T_j$	Junction temperature	150	
$T_{LEAD}$	Lead temperature (soldering 10 seconds)	260	
ESD	Human body model (HBM) <sup>(3)</sup>	2000	V
	Machine model (MM) <sup>(4)</sup>	200	
	Charged device model (CDM) <sup>(5)</sup>	1500	
	Latchup immunity	200	mA

1. All voltage values, except differential voltage, are referenced to  $V_{CC-}$
2. Short-circuits can cause excessive heating. These values are typical
3. According to JEDEC standard JESD22-A114F.
4. According to JEDEC standard JESD22-A115A.
5. According to ANSI/ESD STM5.3.1.

Table 2. Operating conditions

Symbol	Parameter	Value	Unit
$T_{oper}$	Operating temperature range	-40 to +125	°C
$V_{CC}$	Supply voltage ( $V_{CC+}$ ) - ( $V_{CC-}$ ) $-40^{\circ}\text{C} < T_{amb} < +125^{\circ}\text{C}$	1.6 to 5.0	V
$V_{ICM}$	Common mode input voltage range $T_{amb} = +25^{\circ}\text{C}$ $-40^{\circ}\text{C} < T_{amb} < +125^{\circ}\text{C}$	$(V_{CC-}) - 0.2$ to $(V_{CC+}) + 0.2$ $(V_{CC-})$ to $(V_{CC+})$	

### 3 Electrical characteristics

Table 3.  $V_{CC+} = +1.8\text{ V}$ ,  $V_{CC-} = 0\text{ V}$ ,  $T_{amb} = +25^\circ\text{C}$  (unless otherwise specified)

Symbol	Parameter	Test conditions	Min.	Typ.	Max.	Unit
$V_{IO}$	Input offset voltage			0.5	5	mV
		$-40^\circ\text{C} < T_{amb} < +125^\circ\text{C}$			6	
$\Delta V_{IO}/\Delta T$	Input offset voltage drift	$-40^\circ\text{C} < T_{amb} < +125^\circ\text{C}$		4.5		$\mu\text{V}/^\circ\text{C}$
$I_{IB}$	Input bias current <sup>(1)</sup>			25	40	nA
		$-40^\circ\text{C} < T_{amb} < +125^\circ\text{C}$			100	
$I_{IO}$	Input offset current <sup>(1)</sup>			1	10	nA
		$-40^\circ\text{C} < T_{amb} < +125^\circ\text{C}$			100	
$I_{CC}$	Supply current	No load, output low, $V_{ICM} = 0\text{ V}$		20	26	$\mu\text{A}$
		$-40^\circ\text{C} < T_{amb} < +125^\circ\text{C}$			30	
		No load, output high, $V_{ICM} = 0\text{ V}$		22	29	
		$-40^\circ\text{C} < T_{amb} < +125^\circ\text{C}$			33	
$I_{OH}$	Output current leakage	$V_{OUT} = V_{CC+}$		1	10	nA
		$-40^\circ\text{C} < T_{amb} < +125^\circ\text{C}$			500	
$V_{OL}$	Output voltage low	$I_{SINK} = 1\text{ mA}$		24	30	mV
		$-40^\circ\text{C} < T_{amb} < +125^\circ\text{C}$			50	
$I_{SINK}$	Output sink current	$V_{OUT} = 1.5\text{ V}$	20	22		mA
		$-40^\circ\text{C} < T_{amb} < +125^\circ\text{C}$	15			
CMRR	Common mode rejection ratio	$0 < V_{ICM} < 1.8\text{ V}$	50	68		dB
$TP_{HL}$	Propagation delay <sup>(2)</sup> High to low output level	$V_{ICM} = 0\text{ V}$ , $R_L = 5.1\text{ k}\Omega$ , $C_L = 50\text{ pF}$ , overdrive = 10 mV		300		ns
		$V_{ICM} = 0\text{ V}$ , $R_L = 5.1\text{ k}\Omega$ , $C_L = 50\text{ pF}$ , overdrive = 100 mV		210	310	
$TP_{LH}$	Propagation delay <sup>(3)</sup> Low to high output level	$V_{ICM} = 0\text{ V}$ , $R_L = 5.1\text{ k}\Omega$ , $C_L = 50\text{ pF}$ , overdrive = 10 mV		540		ns
		$V_{ICM} = 0\text{ V}$ , $R_L = 5.1\text{ k}\Omega$ , $C_L = 50\text{ pF}$ , overdrive = 100 mV		420	620	

1. Maximum values include unavoidable inaccuracies of the industrial tests.
2.  $TP_{HL}$  is measured when the output signal crosses a voltage level at 50% of  $V_{CC}$  with the following conditions: inverting input voltage ( $IN^-$ ) =  $V_{ICM}$  and non-inverting input voltage ( $IN^+$ ) moving from  $V_{ICM} + 100\text{ mV}$  to  $V_{ICM} - \text{overdrive}$ .
3.  $TP_{LH}$  is measured when the output signal crosses a voltage level at 50% of  $V_{CC}$  with the following conditions: inverting input voltage ( $IN^-$ ) =  $V_{ICM}$  and non-inverting input voltage ( $IN^+$ ) moving from  $V_{ICM} - 100\text{ mV}$  to  $V_{ICM} + \text{overdrive}$ .

Table 4.  $V_{CC+} = +2.7\text{ V}$ ,  $V_{CC-} = 0\text{ V}$ ,  $T_{amb} = +25^\circ\text{C}$  (unless otherwise specified)

Symbol	Parameter	Test conditions	Min.	Typ.	Max.	Unit
$V_{IO}$	Input offset voltage			0.5	5	mV
		$-40^\circ\text{C} < T_{amb} < +125^\circ\text{C}$			6	
$\Delta V_{io}/\Delta T$	Input offset voltage drift	$-40^\circ\text{C} < T_{amb} < +125^\circ\text{C}$		3.3		$\mu\text{V}/^\circ\text{C}$
$I_{IB}$	Input bias current <sup>(1)</sup>			25	40	nA
		$-40^\circ\text{C} < T_{amb} < +125^\circ\text{C}$			100	
$I_{IO}$	Input offset current <sup>(1)</sup>			1	10	nA
		$-40^\circ\text{C} < T_{amb} < +125^\circ\text{C}$			100	
$I_{CC}$	Supply current	No load, output low, $V_{ICM} = 0\text{ V}$		21	27	$\mu\text{A}$
		$-40^\circ\text{C} < T_{amb} < +125^\circ\text{C}$			31	
		No load, output high, $V_{ICM} = 0\text{ V}$		23	30	
		$-40^\circ\text{C} < T_{amb} < +125^\circ\text{C}$			34	
$I_{OH}$	Output current leakage	$V_{OUT} = V_{CC+}$		1	10	nA
		$-40^\circ\text{C} < T_{amb} < +125^\circ\text{C}$			500	
$V_{OL}$	Output voltage low	$I_{SINK} = 1\text{ mA}$		17	30	mV
		$-40^\circ\text{C} < T_{amb} < +125^\circ\text{C}$			50	
$I_{SINK}$	Output sink current	$V_{OUT} = 1.5\text{ V}$	40	47		mA
		$-40^\circ\text{C} < T_{amb} < +125^\circ\text{C}$	30			
CMRR	Common mode rejection ratio	$0 < V_{ICM} < 2.7\text{ V}$	54	74		dB
		$-40^\circ\text{C} < T_{amb} < +125^\circ\text{C}$	53			
$TP_{HL}$	Propagation delay <sup>(2)</sup> High to low output level	$V_{ICM} = 0\text{ V}$ , $R_L = 5.1\text{ k}\Omega$ , $C_L = 50\text{ pF}$ , overdrive = 10 mV		320		ns
		$V_{ICM} = 0\text{ V}$ , $R_L = 5.1\text{ k}\Omega$ , $C_L = 50\text{ pF}$ , overdrive = 100 mV		220	320	
$TP_{LH}$	Propagation delay <sup>(3)</sup> Low to high output level	$V_{ICM} = 0\text{ V}$ , $R_L = 5.1\text{ k}\Omega$ , $C_L = 50\text{ pF}$ , overdrive = 10 mV		550		ns
		$V_{ICM} = 0\text{ V}$ , $R_L = 5.1\text{ k}\Omega$ , $C_L = 50\text{ pF}$ , overdrive = 100 mV		420	640	

1. Maximum values include unavoidable inaccuracies of the industrial tests.
2.  $TP_{HL}$  is measured when the output signal crosses a voltage level at 50% of  $V_{CC}$  with the following conditions: Inverting input voltage ( $IN^-$ ) =  $V_{ICM}$  and non-inverting input voltage ( $IN^+$ ) moving from  $V_{ICM} + 100\text{ mV}$  to  $V_{ICM} - \text{overdrive}$ .
3.  $TP_{LH}$  is measured when the output signal crosses a voltage level at 50% of  $V_{CC}$  with the following conditions: Inverting input voltage ( $IN^-$ ) =  $V_{ICM}$  and non-inverting input voltage ( $IN^+$ ) moving from  $V_{ICM} - 100\text{ mV}$  to  $V_{ICM} + \text{overdrive}$ .

Table 5.  $V_{CC+} = +5\text{ V}$ ,  $V_{CC-} = 0\text{ V}$ ,  $T_{amb} = +25^\circ\text{C}$  (unless otherwise specified)

Symbol	Parameter	Test conditions	Min.	Typ.	Max.	Unit
$V_{IO}$	Input offset voltage			0.5	5	mV
		$-40^\circ\text{C} < T_{amb} < +125^\circ\text{C}$			6	
$\Delta V_{IO}/\Delta T$	Input offset voltage drift	$-40^\circ\text{C} < T_{amb} < +125^\circ\text{C}$		1.3		$\mu\text{V}/^\circ\text{C}$
$I_{IB}$	Input bias current <sup>(1)</sup>			30	40	nA
		$-40^\circ\text{C} < T_{amb} < +125^\circ\text{C}$			100	
$I_{IO}$	Input offset current <sup>(1)</sup>			1	10	nA
		$-40^\circ\text{C} < T_{amb} < +125^\circ\text{C}$			100	
$I_{CC}$	Supply current	No load, output low, $V_{ICM} = 0\text{ V}$		23	30	$\mu\text{A}$
		$-40^\circ\text{C} < T_{amb} < +125^\circ\text{C}$			34	
		No load, output high, $V_{ICM} = 0\text{ V}$		26	34	
		$-40^\circ\text{C} < T_{amb} < +125^\circ\text{C}$			38	
$I_{OH}$	Output current leakage	$V_{OUT} = V_{CC+}$		1	10	nA
		$-40^\circ\text{C} < T_{amb} < +125^\circ\text{C}$			600	
$V_{OL}$	Output voltage low	$I_{SINK} = 1\text{ mA}$		48	60	mV
		$-40^\circ\text{C} < T_{amb} < +125^\circ\text{C}$			80	
$I_{SINK}$	Output sink current	$V_{OUT} = 1.5\text{ V}$	82	93		mA
		$-40^\circ\text{C} < T_{amb} < +125^\circ\text{C}$	60			
$A_V$	Voltage gain		40	100		V/mV
CMRR	Common mode rejection ratio	$0 < V_{ICM} < 5\text{ V}$	60	79		dB
		$-40^\circ\text{C} < T_{amb} < +125^\circ\text{C}$	58			
SVR	Supply voltage rejection	$\Delta V_{CC} = 1.8\text{ to }5\text{ V}$	56	75		dB
		$-40^\circ\text{C} < T_{amb} < +125^\circ\text{C}$	56			
$TP_{HL}$	Propagation delay <sup>(2)</sup> High to low output level	$V_{ICM} = 0\text{ V}$ , $R_L = 5.1\text{ k}\Omega$ , $C_L = 50\text{ pF}$ , overdrive = 10 mV		380		ns
		$V_{ICM} = 0\text{ V}$ , $R_L = 5.1\text{ k}\Omega$ , $C_L = 50\text{ pF}$ , overdrive = 100 mV		270	430	
$TP_{LH}$	Propagation delay <sup>(3)</sup> Low to high output level	$V_{ICM} = 0\text{ V}$ , $R_L = 5.1\text{ k}\Omega$ , $C_L = 50\text{ pF}$ , overdrive = 10 mV		570		ns
		$V_{ICM} = 0\text{ V}$ , $R_L = 5.1\text{ k}\Omega$ , $C_L = 50\text{ pF}$ , overdrive = 100 mV		450	720	

1. Maximum values include unavoidable inaccuracies of the industrial tests.

2.  $TP_{HL}$  is measured when the output signal crosses a voltage level at 50% of  $V_{CC}$  with the following conditions: Inverting input voltage ( $IN^-$ ) =  $V_{ICM}$  and non-inverting input voltage ( $IN^+$ ) moving from  $V_{ICM} + 100\text{ mV}$  to  $V_{ICM} - \text{overdrive}$ .

3.  $TP_{LH}$  is measured when the output signal crosses a voltage level at 50% of  $V_{CC}$  with the following conditions: Inverting input voltage ( $IN^-$ ) =  $V_{ICM}$  and non-inverting input voltage ( $IN^+$ ) moving from  $V_{ICM} - 100\text{ mV}$  to  $V_{ICM} + \text{overdrive}$ .



Figure 2. Supply current versus supply voltage with output high,  $V_{ICM} = 0\text{ V}$

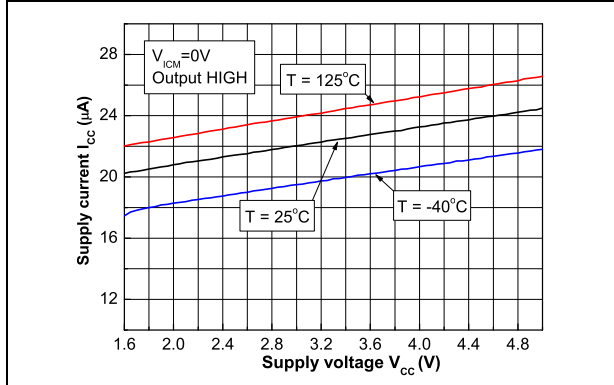


Figure 3. Supply current versus supply voltage with output high,  $V_{ICM} = V_{CC}$

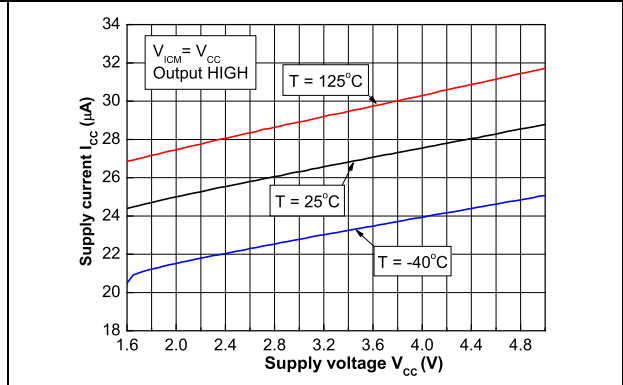


Figure 4. Supply current versus supply voltage with output low,  $V_{ICM} = 0\text{ V}$

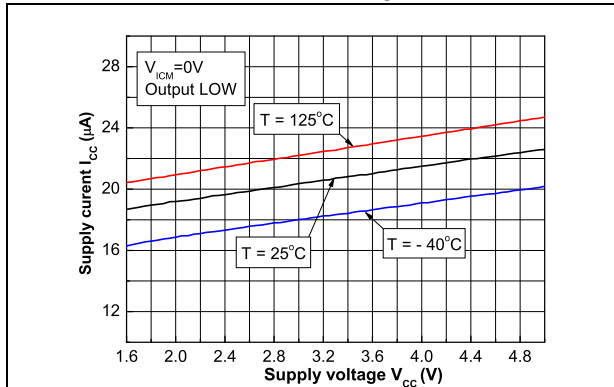


Figure 5. Supply current versus supply voltage with output low,  $V_{ICM} = V_{CC}$

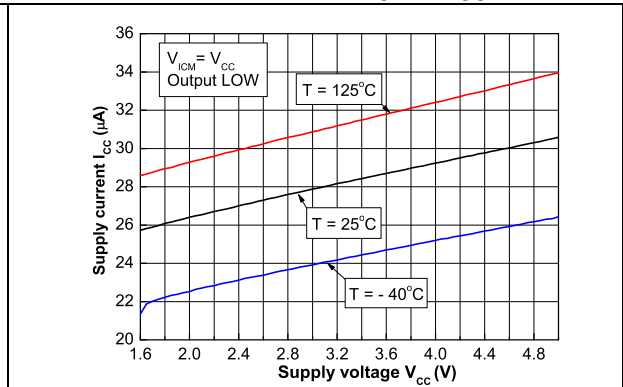


Figure 6. Supply current versus temperature

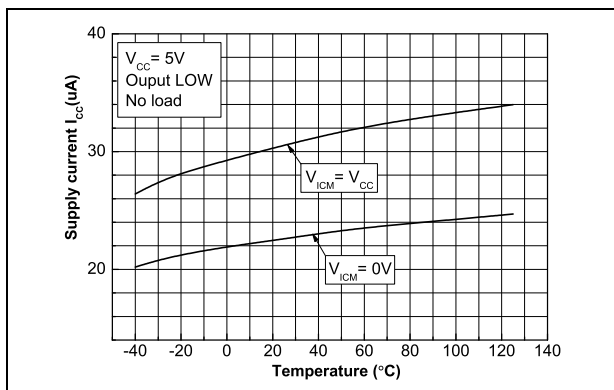


Figure 7. Input bias current versus input common-mode voltage

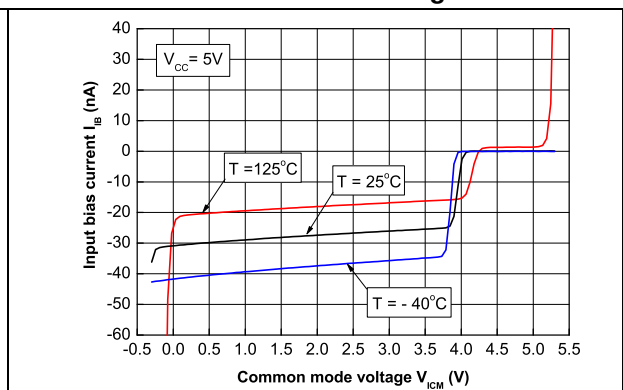


Figure 8. Input current versus differential input voltage

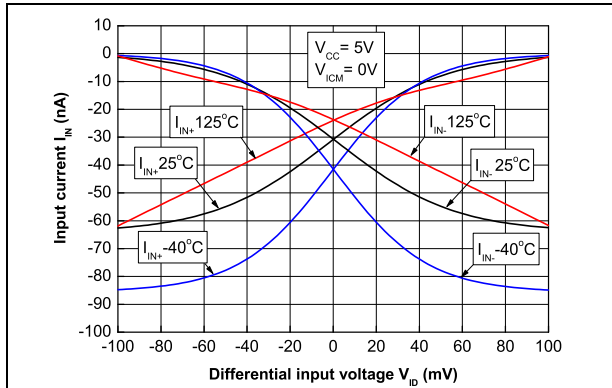


Figure 9. Input offset voltage versus temperature

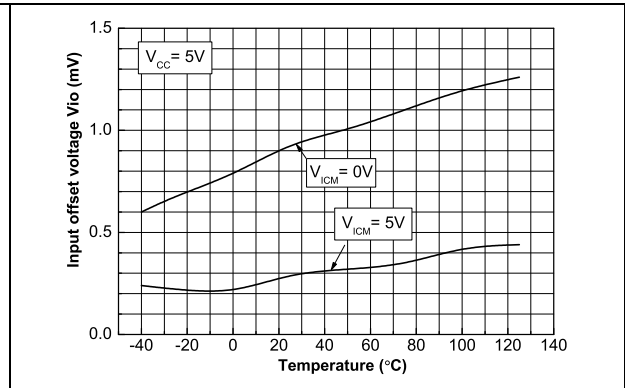


Figure 10. Output voltage versus output sink current,  $V_{CC} = 1.8V$

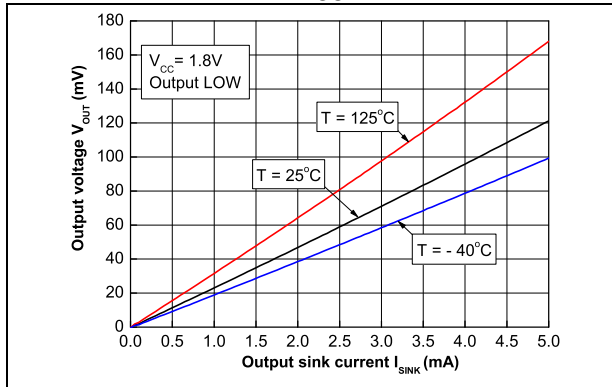


Figure 11. Output voltage versus output sink current,  $V_{CC} = 2.7V$

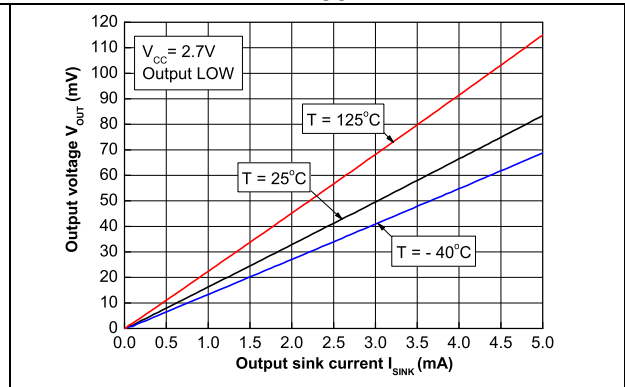


Figure 12. Output voltage versus output sink current,  $V_{CC} = 5V$

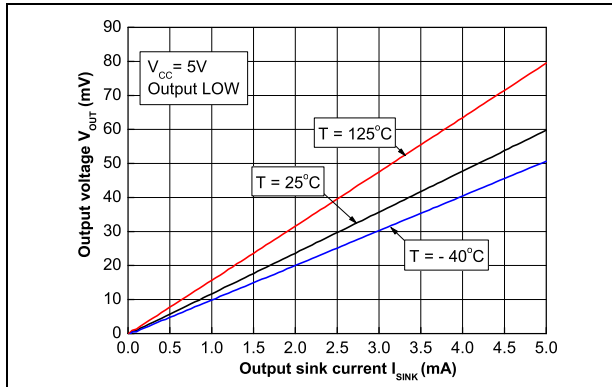


Figure 13. Output sink current versus output voltage

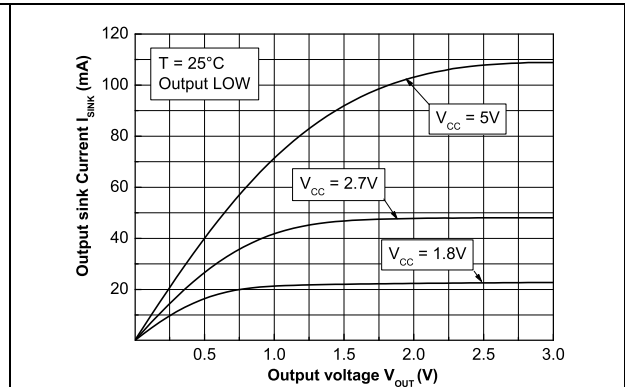


Figure 14. Output voltage versus temperature

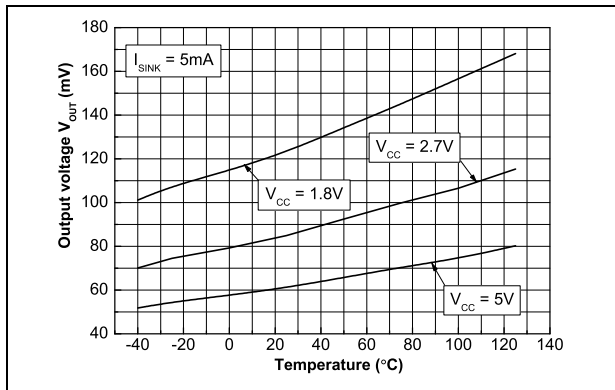


Figure 15. Propagation delay versus overdrive with negative transition,  $V_{CC} = 1.8V$

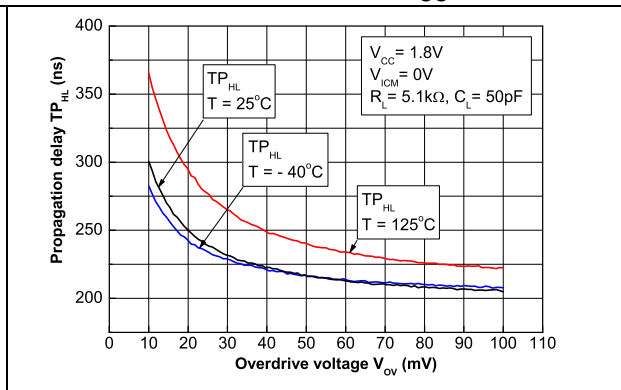


Figure 16. Propagation delay versus overdrive with positive transition,  $V_{CC} = 1.8V$

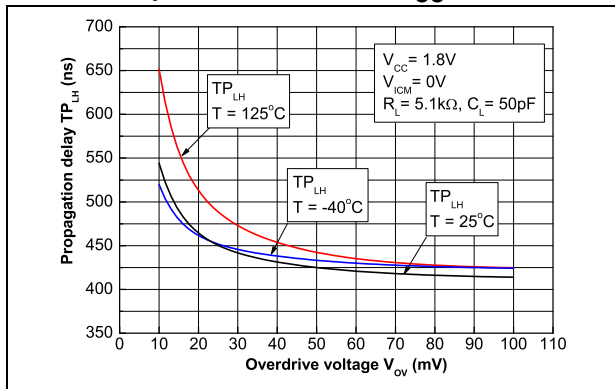


Figure 17. Propagation delay versus common mode voltage,  $V_{CC} = 1.8V$

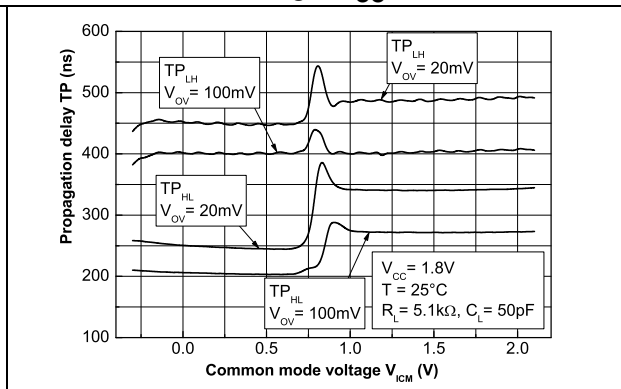


Figure 18. Propagation delay versus overdrive with negative transition,  $V_{CC} = 2.7V$

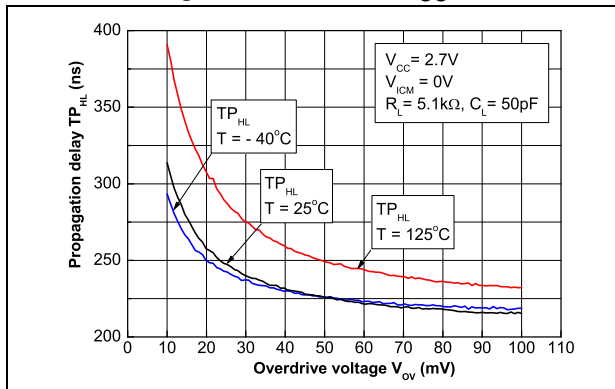


Figure 19. Propagation delay versus overdrive with positive transition,  $V_{CC} = 2.7V$

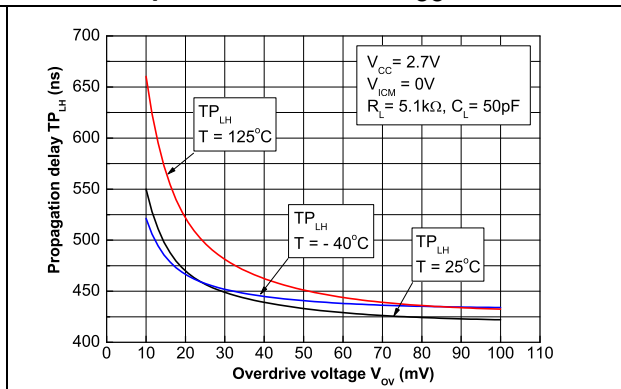


Figure 20. Propagation delay versus common mode voltage,  $V_{CC} = 2.7\text{ V}$

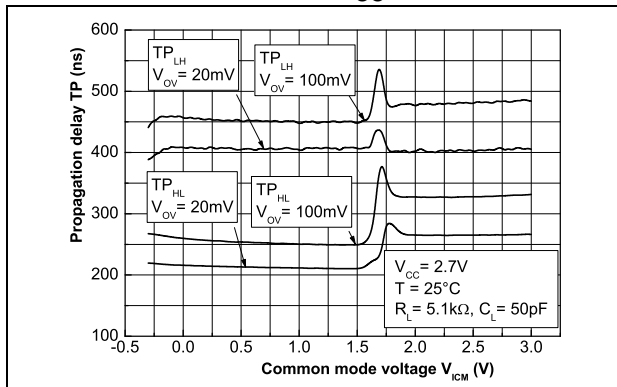


Figure 21. Propagation delay versus overdrive with negative transition,  $V_{CC} = 5\text{ V}$

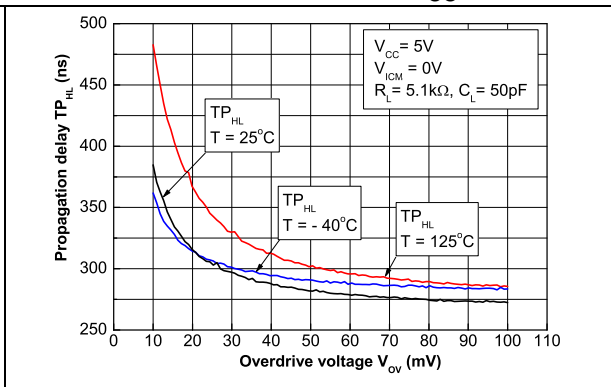


Figure 22. Propagation delay versus overdrive with positive transition,  $V_{CC} = 5\text{ V}$

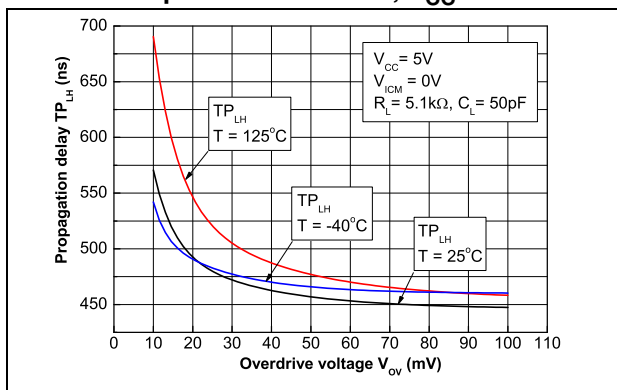


Figure 23. Propagation delay versus common mode voltage,  $V_{CC} = 5\text{ V}$

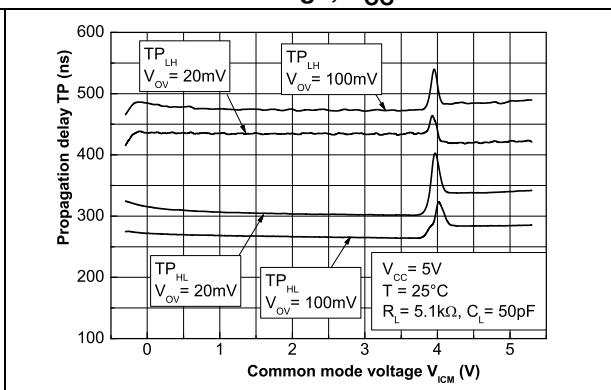


Figure 24. Propagation delay versus time with negative transition

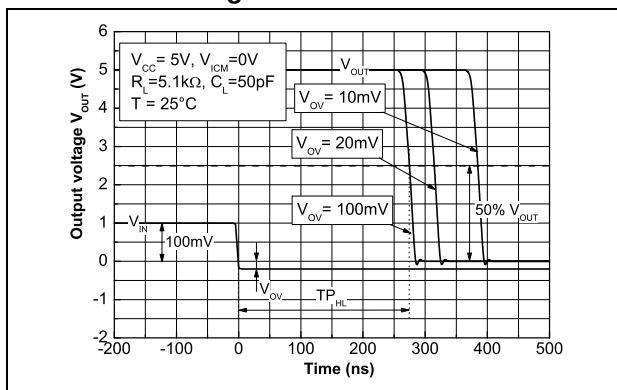
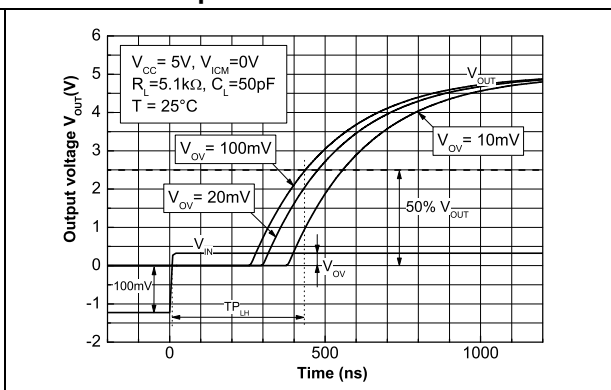


Figure 25. Propagation delay versus time with positive transition



## 4 Package information

In order to meet environmental requirements, ST offers these devices in different grades of ECOPACK packages, depending on their level of environmental compliance. ECOPACK specifications, grade definitions and product status are available at: [www.st.com](http://www.st.com). ECOPACK is an ST trademark.

### 4.1 SOT23-5 package information

Figure 26. SOT23-5 package mechanical drawing

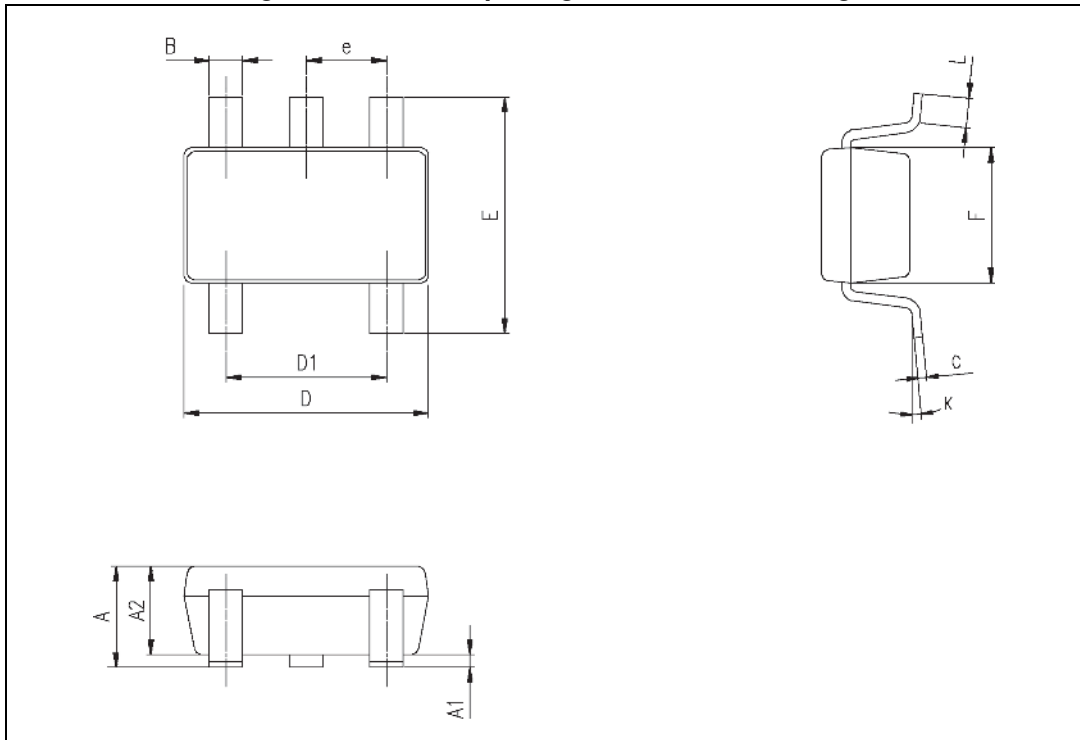


Table 6. SOT23-5 package mechanical data

Ref.	Dimensions					
	Millimeters			Inches <sup>(1)</sup>		
	Min.	Typ.	Max.	Min.	Typ.	Max.
A	0.90	1.20	1.45	0.035	0.047	0.057
A1			0.15			0.006
A2	0.90	1.05	1.30	0.035	0.041	0.051
B	0.35	0.40	0.50	0.013	0.015	0.019
C	0.09	0.15	0.20	0.003	0.006	0.008
D	2.80	2.90	3.00	0.110	0.114	0.118
D1		1.90			0.075	
e		0.95			0.037	
E	2.60	2.80	3.00	0.102	0.110	0.118
F	1.50	1.60	1.75	0.059	0.063	0.069
L	0.10	0.35	0.60	0.004	0.013	0.023
K	0°		10°	0°		10°

1. Values in inches are rounded to three decimal digits.

## 4.2 SC70-5 (SOT323-5) package information

Figure 27. SC70-5 (SOT323-5) package mechanical drawing

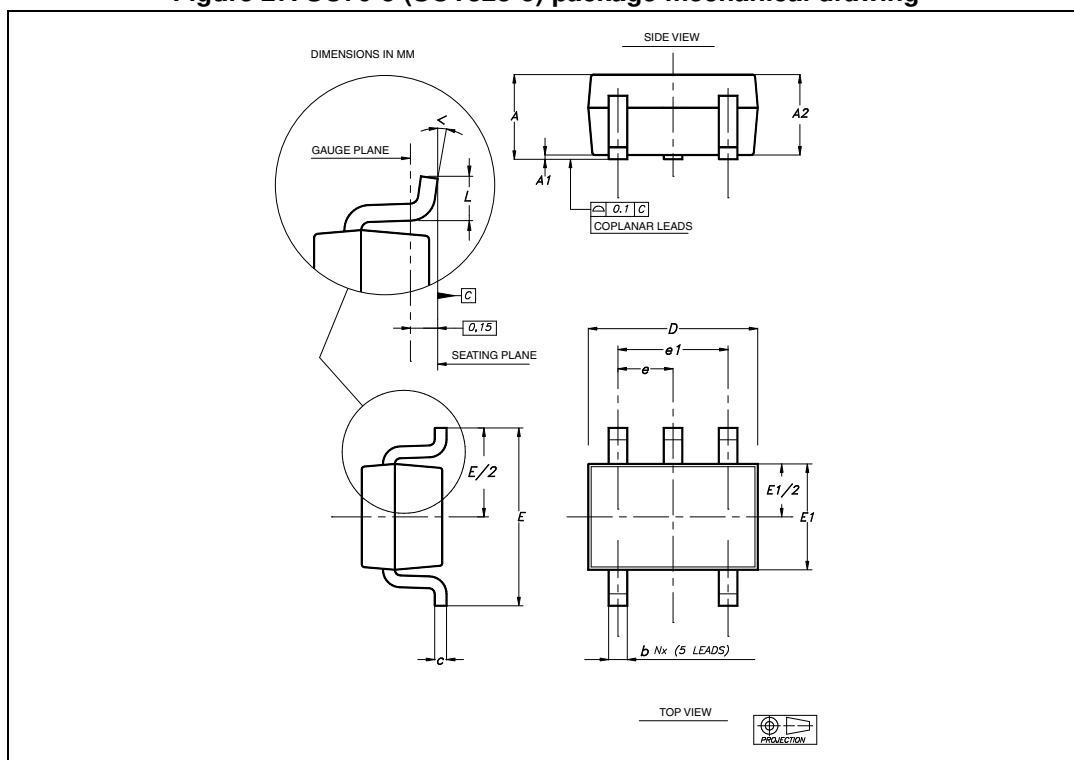


Table 7. SC70-5 (or SOT323-5) package mechanical data

Ref	Dimensions					
	Millimeters			Inches <sup>(1)</sup>		
	Min	Typ	Max	Min	Typ	Max
A	0.80		1.10	0.315		0.043
A1			0.10			0.004
A2	0.80	0.90	1.00	0.315	0.035	0.039
b	0.15		0.30	0.006		0.012
c	0.10		0.22	0.004		0.009
D	1.80	2.00	2.20	0.071	0.079	0.087
E	1.80	2.10	2.40	0.071	0.083	0.094
E1	1.15	1.25	1.35	0.045	0.049	0.053
e		0.65			0.025	
e1		1.30			0.051	
L	0.26	0.36	0.46	0.010	0.014	0.018
<	0°		8°	0°		8°

1. Values in inches are rounded to three decimal digits.

### 4.3 DFN6 1.2x1.3 package information

Figure 28. DFN6 1.2x1.3 package mechanical drawing

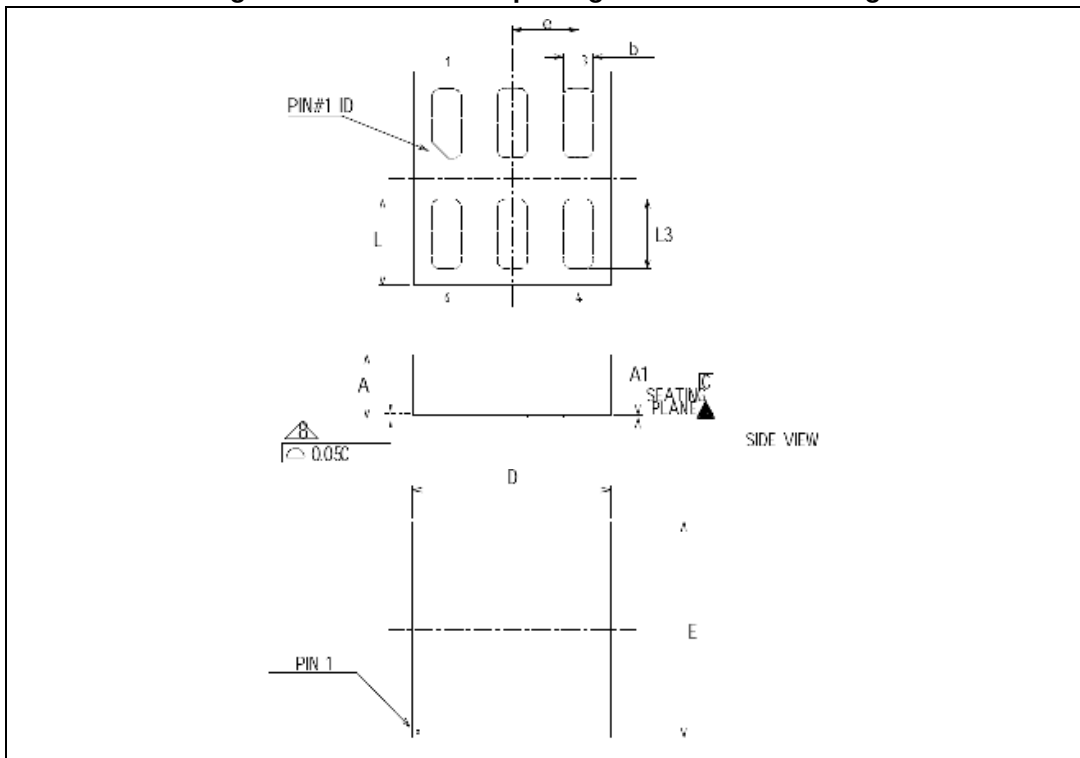


Table 8. DFN6 1.2x1.3 package mechanical data

Ref	Dimensions					
	Millimeters			Inches <sup>(1)</sup>		
	Min	Typ	Max	Min	Typ	Max
A	0.45	0.50	0.55	0.018	0.020	0.022
A1	0.00	0.02	0.05	0.000	0.001	0.002
b	0.15	0.18	0.25	0.006	0.007	0.002
c		0.05			0.002	
D		1.20			0.047	
E		1.30			0.051	
e		0.4			0.016	
L	0.475	0.525	0.575	0.019	0.021	0.023
L3	0.375	0.425	0.475	0.015	0.017	0.019

1. Values in inches are rounded to three decimal digits.



### 4.4 DFN8 2x2 package information

Figure 29. DFN8 2x2 package mechanical drawing

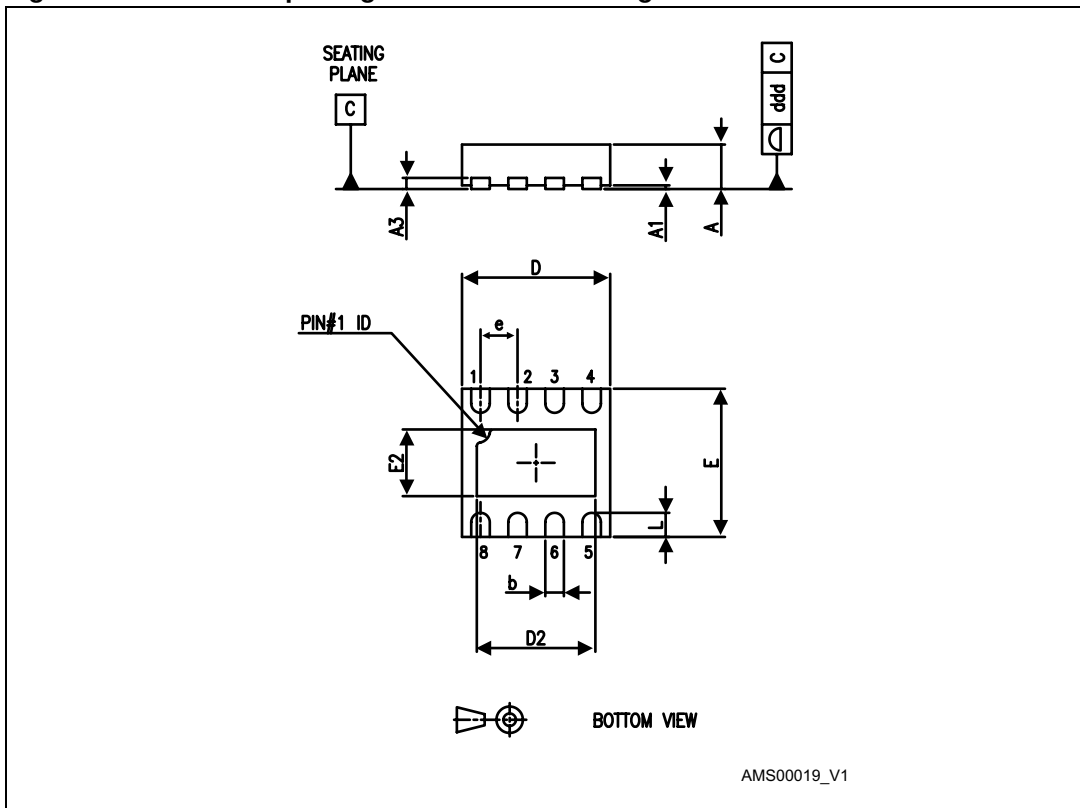
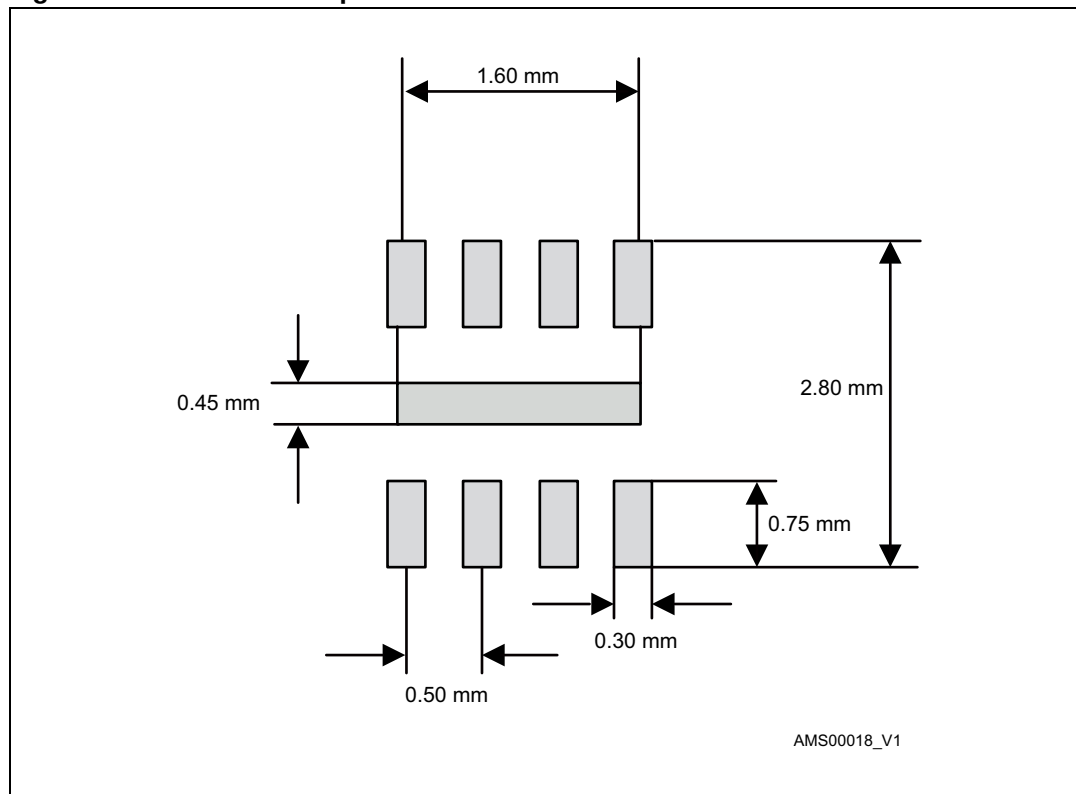


Table 9. DFN8 2x2x0.6 mm package mechanical data (pitch 0.5 mm)

Ref.	Dimensions					
	Millimeters			Inches		
	Min.	Typ.	Max.	Min.	Typ.	Max.
A	0.51	0.55	0.60	0.020	0.022	0.024
A1			0.05			0.002
A3		0.15			0.006	
b	0.18	0.25	0.30	0.007	0.010	0.012
D	1.85	2.00	2.15	0.073	0.079	0.085
D2	1.45	1.60	1.70	0.057	0.063	0.067
E	1.85	2.00	2.15	0.073	0.079	0.085
E2	0.75	0.90	1.00	0.030	0.035	0.039
e		0.50			0.020	
L			0.425			0.017
ddd			0.08			0.003

Figure 30. DFN8 2x2 footprint recommendation



### 4.5 SO8 package information

Figure 31. SO8 package mechanical drawing

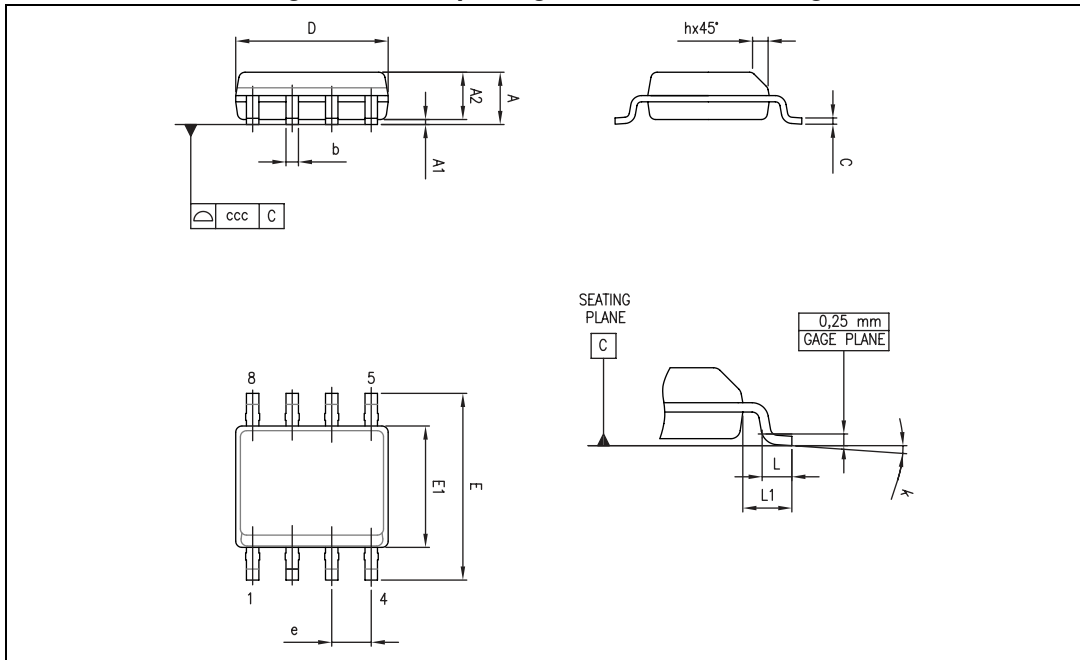


Table 10. SO8 package mechanical data

Ref.	Dimensions					
	Millimeters			Inches <sup>(1)</sup>		
	Min.	Typ.	Max.	Min.	Typ.	Max.
A			1.75			0.069
A1	0.10		0.25	0.004		0.010
A2	1.25			0.049		
b	0.28		0.48	0.011		0.019
c	0.17		0.23	0.007		0.010
D	4.80	4.90	5.00	0.189	0.193	0.197
E	5.80	6.00	6.20	0.228	0.236	0.244
E1	3.80	3.90	4.00	0.150	0.154	0.157
e		1.27			0.050	
h	0.25		0.50	0.010		0.020
L	0.40		1.27	0.016		0.050
L1		1.04			0.040	
k	0		8°	1°		8°
ccc			0.10			0.004

1. Values in inches are rounded to three decimal digits.

### 4.6 MiniSO8 package information

Figure 32. MiniSO8 package mechanical drawing

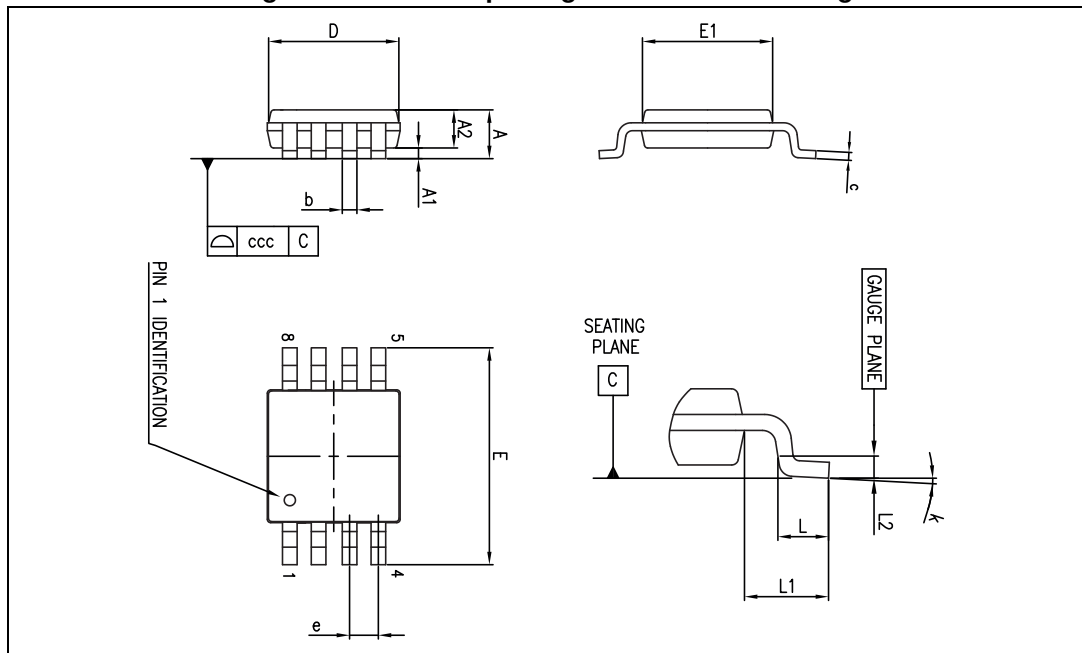


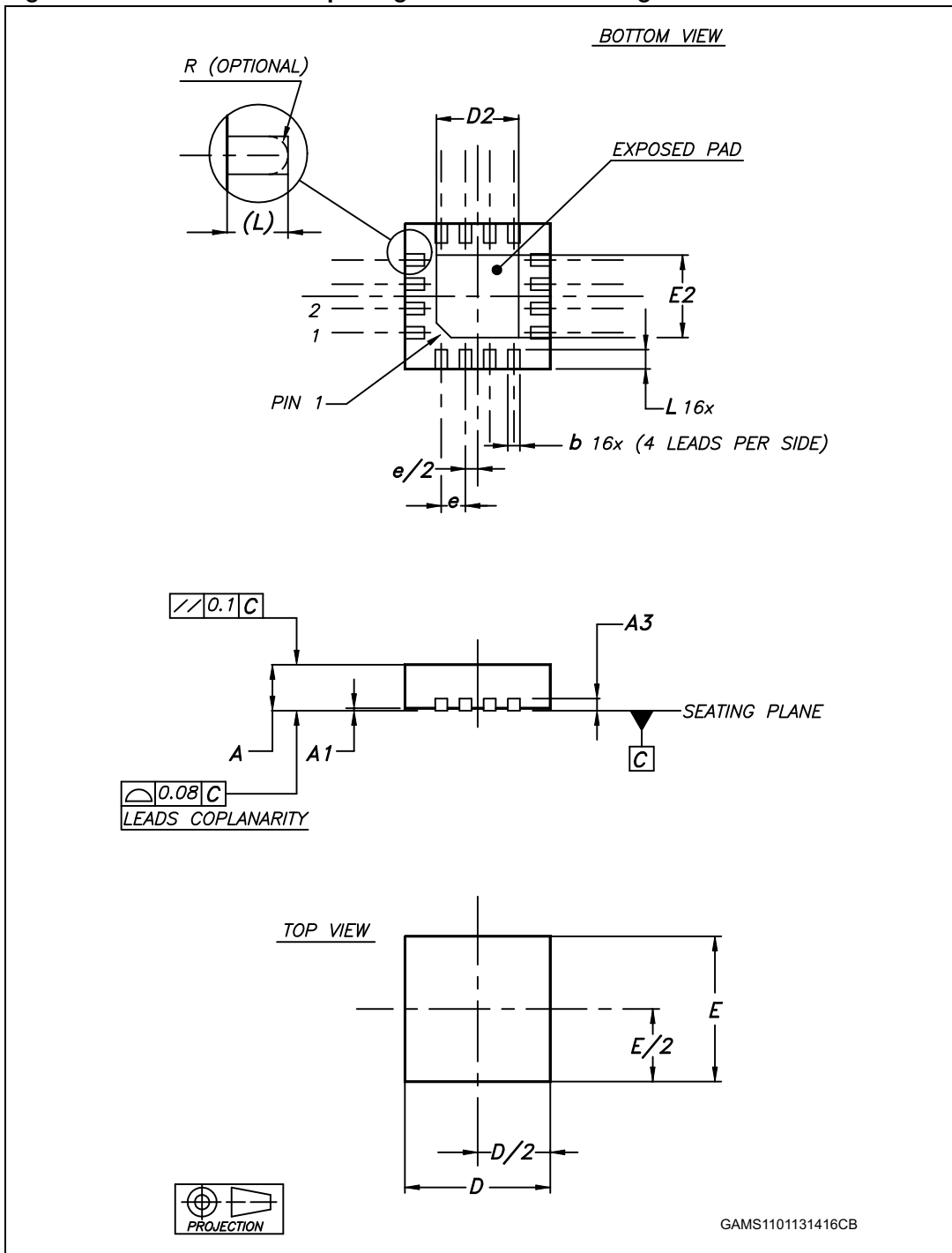
Table 11. MiniSO8 package mechanical data

Ref.	Dimensions					
	Millimeters			Inches <sup>(1)</sup>		
	Min.	Typ.	Max.	Min.	Typ.	Max.
A			1.1			0.043
A1	0		0.15	0		0.006
A2	0.75	0.85	0.95	0.030	0.033	0.037
b	0.22		0.40	0.009		0.016
c	0.08		0.23	0.003		0.009
D	2.80	3.00	3.20	0.11	0.118	0.126
E	4.65	4.90	5.15	0.183	0.193	0.203
E1	2.80	3.00	3.10	0.11	0.118	0.122
e		0.65			0.026	
L	0.40	0.60	0.80	0.016	0.024	0.031
L1		0.95			0.037	
L2		0.25			0.010	
k	0°		8°	0°		8°
ccc			0.10			0.004

1. Values in inches are rounded to three decimal digits.

### 4.7 QFN16 3x3 package information

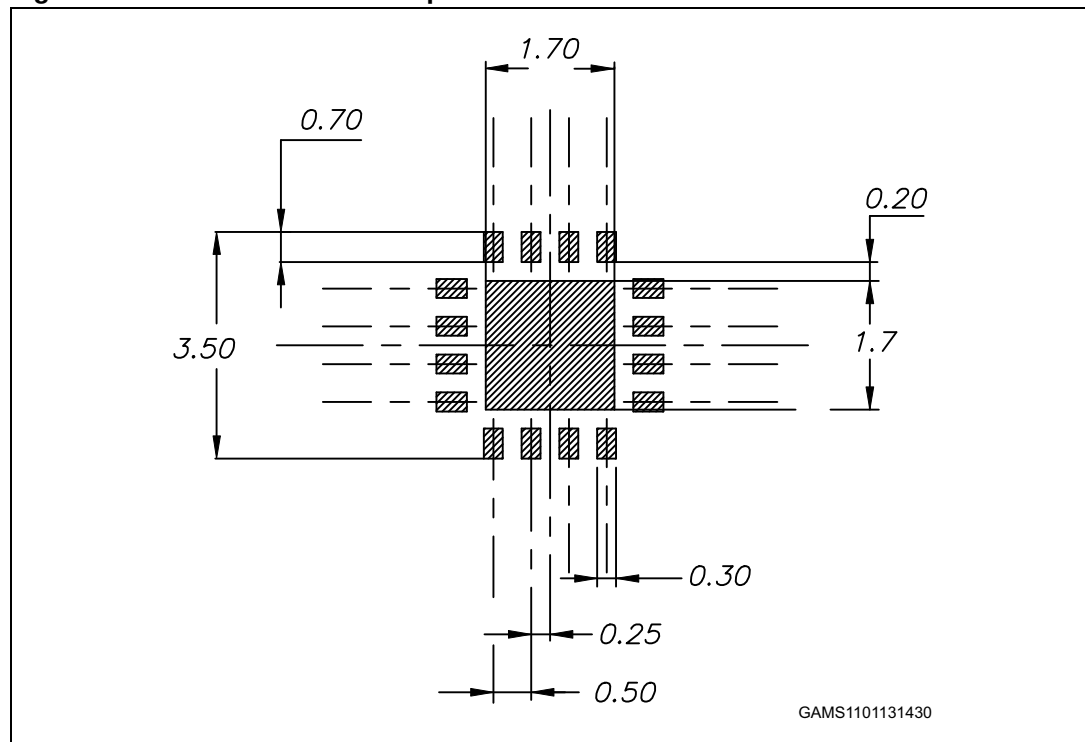
Figure 33. QFN16 3 x 3 mm package mechanical drawing



**Table 12. QFN16 3 x 3 mm package mechanical data (pitch 0.5 mm)**

Ref.	Dimensions					
	Millimeters			Inches		
	Min.	Typ.	Max.	Min.	Typ.	Max.
A	0.80	0.90	1.00	0.031	0.035	0.039
A1	0		0.05	0		0.002
A3		0.20			0.008	
b	0.18		0.30	0.007		0.012
D	2.90	3.00	3.10	0.114	0.118	0.122
D2	1.50		1.80	0.059		0.071
E	2.90	3.00	3.10	0.114	0.118	0.122
E2	1.50		1.80	0.059		0.071
e		0.50			0.020	
L	0.30		0.50	0.012		0.020

**Figure 34. QFN16 3 x 3 mm footprint recommendation**



### 4.8 SO14 package information

Figure 35. SO14 package mechanical drawing

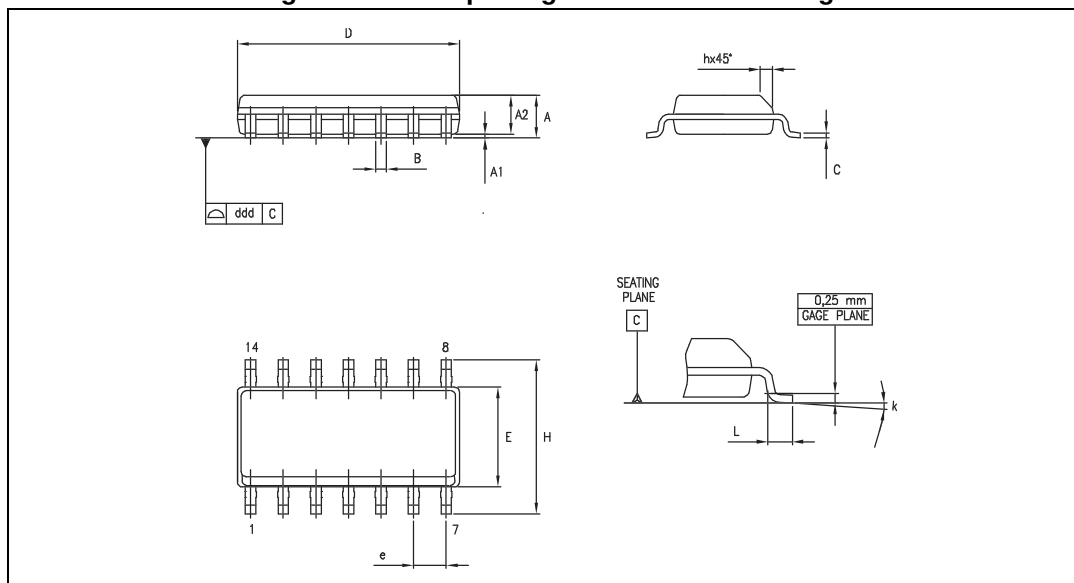


Table 13. SO14 package mechanical data

Ref.	Dimensions					
	Millimeters			Inches <sup>(1)</sup>		
	Min.	Typ.	Max.	Min.	Typ.	Max.
A	1.35		1.75	0.050		0.068
A1	0.10		0.25	0.004		0.009
A2	1.10		1.65	0.040		0.060
B	0.33		0.51	0.010		0.020
C	0.19		0.25	0.007		0.009
D	8.55		8.75	0.330		0.340
E	3.80		4.0	0.150		0.150
e		1.27			0.05	
H	5.80		6.20	0.220		0.240
h	0.25		0.50	0.009		0.020
L	0.40		1.27	0.015		0.050
k	8° (max.)					
ddd			0.10			0.004

1. Values in inches are rounded to three decimal digits.

### 4.9 TSSOP14 package information

Figure 36. TSSOP14 package mechanical drawing

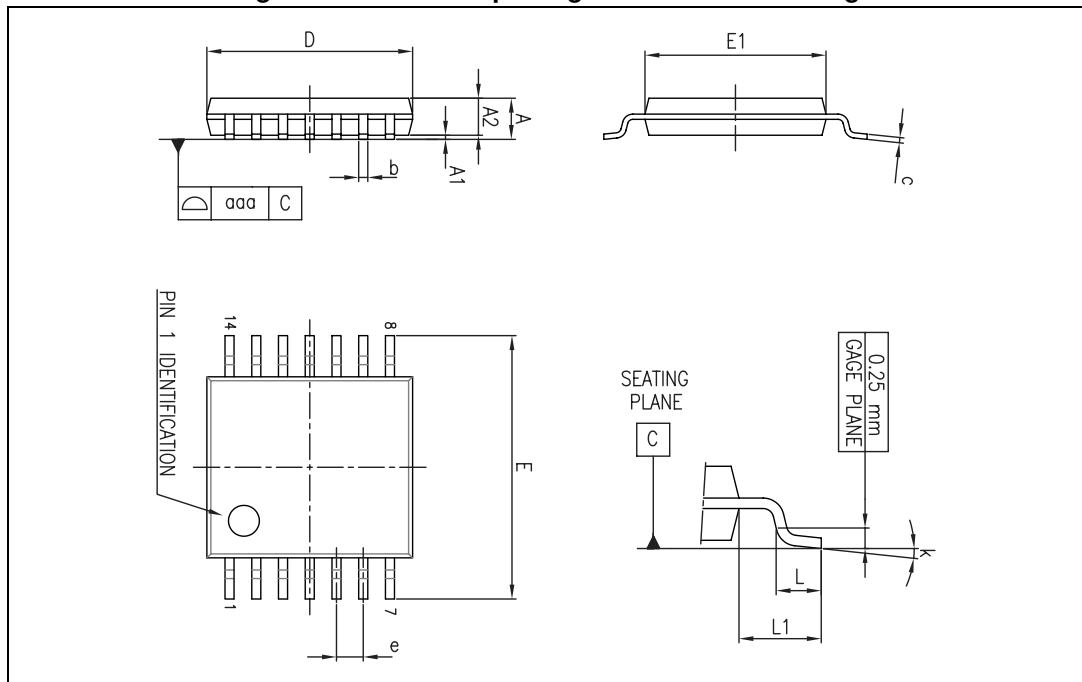


Table 14. TSSOP14 package mechanical data

Ref.	Dimensions					
	Millimeters			Inches <sup>(1)</sup>		
	Min.	Typ.	Max.	Min.	Typ.	Max.
A			1.20			0.047
A1	0.05		0.15	0.002	0.004	0.006
A2	0.80	1.00	1.05	0.031	0.039	0.041
b	0.19		0.30	0.007		0.012
c	0.09		0.20	0.004		0.0089
D	4.90	5.00	5.10	0.193	0.197	0.201
E	6.20	6.40	6.60	0.244	0.252	0.260
E1	4.30	4.40	4.50	0.169	0.173	0.176
e		0.65			0.0256	
L	0.45	0.60	0.75	0.018	0.024	0.030
L1		1.00			0.039	
k	0°		8°	0°		8°
aaa			0.10			0.004

1. Values in inches are rounded to three decimal digits.



## 5 Ordering information

Table 15. Order codes

Order code	Temperature range	Package	Packaging	Marking
TS331ILT	-40 °C, +125 °C	SOT23-5	Tape and reel	K506
TS331IYLT <sup>(1)</sup>				K513
TS331ICT		SC70-5		K55
TS331IQT		DFN6 1.2x1.3		K3
TS332IQ2T		DFN8 2x2		K55
TS332IDT		SO8		332I
TS332IYDT <sup>(1)</sup>				332IY
TS332IST		MiniSO8		K507
TS334IQ4T		QFN16 3x3		K307
TS334IDT		SO14		334I
TS334IYDT <sup>(1)</sup>				334IY
TS334IPT		TSSOP14		334I
TS334IYPT <sup>(1)</sup>				334IY

1. Qualified and characterized according to AEC Q100 and Q003 or equivalent, advanced screening according to AEC Q001 and Q 002 or equivalent.

## 6 Revision history

**Table 16. Document revision history**

Date	Revision	Changes
29-Mar-2010	1	Initial release.
01-Dec-2011	2	<ul style="list-style-type: none"> <li>– Added TS332 and TS334 devices.</li> <li>– Added <math>V_{out}</math> parameter in Table 1: Absolute maximum ratings.</li> <li>– Removed note "<i>The magnitude of input and output voltages must never exceed the supply rail <math>\pm 0.3</math> V.</i>" from Table 1.</li> <li>– Removed note "<i>All values over the temperature range are guaranteed through correlation and simulation. No production tests have been performed at the temperature range limits.</i>" from Table 3, Table 4 and Table 5.</li> <li>– Removed "<math>V_{icm} = 0</math> V" from <i>Test conditions</i> column in Table 3, Table 4 and Table 5.</li> <li>– Modified minimal <math>I_{sink}</math> value in Table 5.</li> </ul>
29-Oct-2012	3	<ul style="list-style-type: none"> <li>– Added DFN6 package for TS331</li> <li>– Modified notes 3, 4, and 5 in Table 1.</li> <li>– Added Automotive grade order codes in Table 15</li> </ul>
30-Apr-2013	4	<ul style="list-style-type: none"> <li>– Added DFN8 2x2 and QFN16 3x3 silhouette, pinout, and package information.</li> <li>– Figure 1: updated pinout diagrams; added footnote 2</li> <li>– Table 1: updated <math>R_{thjc}</math> and <math>R_{thjc}</math></li> <li>– Table 3, Table 4, Table 5: updated symbol for input offset voltage drift.</li> <li>– Table 15: added order codes TS332IQ2T, TS334IQ4T, and TS334IYDT.</li> </ul>
31-Jan-2022	5	<ul style="list-style-type: none"> <li>– Updated <math>I_{SINK}</math> value test condition in <a href="#">Table 5</a>.</li> </ul>

**IMPORTANT NOTICE – PLEASE READ CAREFULLY**

STMicroelectronics NV and its subsidiaries (“ST”) reserve the right to make changes, corrections, enhancements, modifications, and improvements to ST products and/or to this document at any time without notice. Purchasers should obtain the latest relevant information on ST products before placing orders. ST products are sold pursuant to ST’s terms and conditions of sale in place at the time of order acknowledgement.

Purchasers are solely responsible for the choice, selection, and use of ST products and ST assumes no liability for application assistance or the design of Purchasers’ products.

No license, express or implied, to any intellectual property right is granted by ST herein.

Resale of ST products with provisions different from the information set forth herein shall void any warranty granted by ST for such product.

ST and the ST logo are trademarks of ST. For additional information about ST trademarks, please refer to [www.st.com/trademarks](http://www.st.com/trademarks). All other product or service names are the property of their respective owners.

Information in this document supersedes and replaces information previously supplied in any prior versions of this document.

© 2022 STMicroelectronics – All rights reserved