


# IB IL SSI-PAC

Order No.: 2861865



<http://eshop.phoenixcontact.de/phoenix/treeViewClick.do?UID=2861865>

Inline measurement terminal block for positioning control and absolute position encoders, complete with accessories, 1 absolute encoder input, 4 digital inputs 24 V DC, 4 digital outputs 24 V DC, 500 mA, 3-wire connection method

Commercial data	
GTIN (EAN)	
Note	Made-to-order
sales group	K413
Pack	1 pcs.
Customs tariff	85389091
Catalog page information	Page 305 (AX-2009)

#### Product notes

WEEE/RoHS-compliant since:  
09/27/2007



<http://www.download.phoenixcontact.com>  
Please note that the data given here has been taken from the online catalog. For comprehensive information and data, please refer to the user documentation. The General Terms and Conditions of Use apply to Internet downloads.

Technical data	
<b>Interfaces</b>	
Interface	Inline local bus
Type of connection	Inline data jumper

**Power supply**

I/O voltage	24 V DC (via voltage jumper)
Peripherals voltage range	19.2 V DC ... 30 V DC
Encoder supply voltage	5 V DC
	24 V DC
Encoder supply current	500 mA
	500 mA
Drawing encoder supply voltage	Main circuit $U_M$

**Electrical isolation**

Test section	5 V supply, incoming remote bus/7.5 V supply (bus logics) 500 V AC 50 Hz 1 min
	5 V supply, outgoing remote bus/7.5 V supply (bus logics) 500 V AC 50 Hz 1 min
	7.5 V supply (bus logics)/24 V supply (I/O) 500 V AC 50 Hz 1 min
	7.5 V supply (bus logics) / functional earth ground of encoder supply 500 V AC 50 Hz 1 min
	24 V supply (I/O) / functional earth ground 500 V AC 50 Hz 1 min
	24 V supply (I/O) / functional earth ground of encoder supply 500 V AC 50 Hz 1 min
	Functional earth ground of encoder supply / Functional earth ground 500 V AC 50 Hz 1 min

**Absolute encoder input**

Number of inputs	1
Adjustable resolution	26 Bit (maximum)
Transmission frequency	400 kHz

**Inputs**

Number of inputs	4
Connection method	3-conductor
Input voltage	24 V DC

**Outputs**

Number of outputs	4
Connection method	3-conductor (shielded)

**General data**

Weight	210 g
Number of connectors	1

Width	48.8 mm
Height	140.5 mm
Depth	71.5 mm

**Inline potential routing**

Communications power $U_L$	7.5 V (via voltage jumper)
Current consumption from $U_L$	max. 60 mA
Main circuit supply $U_M$	24 V DC (via voltage jumper)
Current consumption from $U_M$	max. 1 A
	Typ. 1 A
Segment supply voltage $U_S$	24 V DC (via voltage jumper)
Current consumption from $U_S$	max. 2 A
	Typ. 2 A

**Certificates / Approvals**



Certification

CUL, GOST, UL

**Accessories**

Item	Designation	Description
------	-------------	-------------

**Literature**

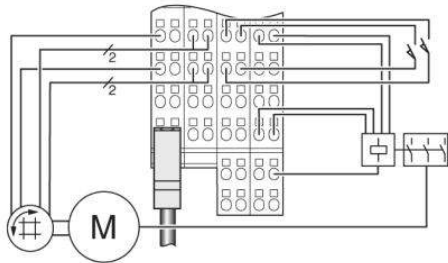
2698452	IB IL SSI UM	User Manual, German, for Inline positioning terminals
2698465	IB IL SSI UM E	User Manual, English, for Inline positioning terminals

**Marking**

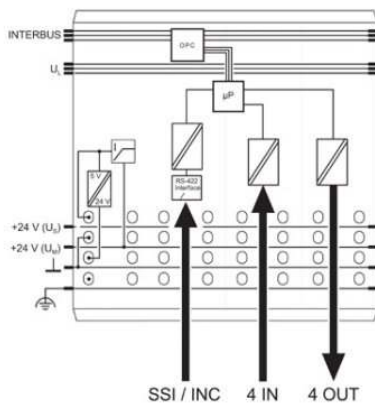
0809492	ESL 62X10	Insert strip for laser printer, lettering field: 62 x 10 mm
---------	-----------	---

## Diagrams/Drawings

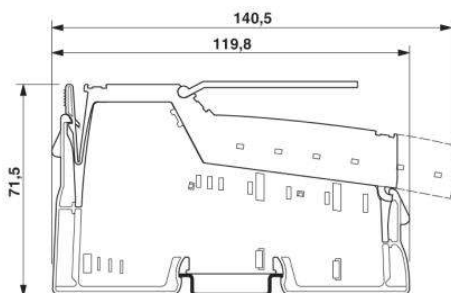
### Connection diagram



### Block diagram



### Dimensioned drawing



**Address**

PHOENIX CONTACT Deutschland GmbH  
Flachmarktstr. 8  
32825 Blomberg, Germany  
Phone +49 5235 3 12000  
Fax +49 5235 3 41200  
<http://www.phoenixcontact.de>



© 2011 Phoenix Contact  
Technical modifications reserved;