

PRE-RELEASE REFERENCE USE ONLY

- NOTES:
1. PRODUCT SPECIFICATION: HSAL2-2144450000.
  2. PACKAGING SPECIFICATION: PK-111149-001.
  3. PLEASE REFER TO THE LABEL DOCUMENT 2093051008. FOR THE DETAIL SPECIFICATION AND REVISION INFORMATION.
  4. VISIT [www.molex.com](http://www.molex.com) FOR ENVIRONMENTAL COMPLIANCE INFORMATION.
  5. RETENSION CLIP TO BE FASTENED TO CABLE AS SHOWN, CUTTING EXCESS TIE STRAP AS CLOSE TO CABLE AS POSSIBLE.
  6. SEALED HSAL2 CONNECTORS SHALL BE 100% LEAK TESTED DURING PRODUCTION UNDER TEST PARAMETERS AS DETAILED IN PRODUCT SPECIFICATION PS-34858-001.
  7. DON'T CUT THE EXCESS ZIP TIE.

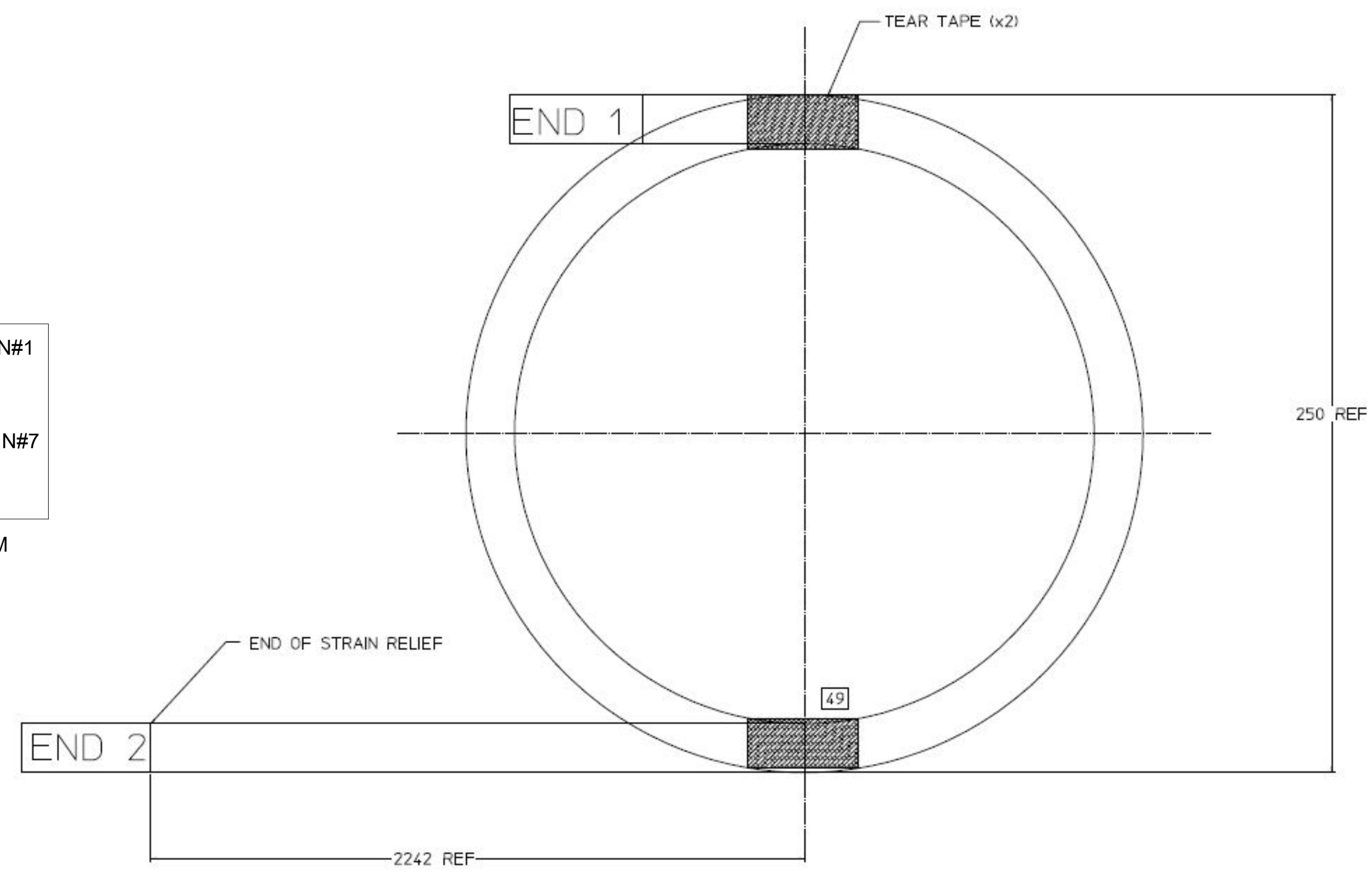
MOLEX MATERIAL NUMBER	MATERIAL NUMBER REVISION	CUSTOMER PART NUMBER	DIM - 'A' REF	DIM - 'B'
1111491442	A3	AXE85320	4743.3	4641+50/-0

FUNCTIONAL SYMBOLS $F_A = 0$ $F_C = 0$ $F_D = 0$		THIS DRAWING CONTAINS INFORMATION THAT IS PROPRIETARY TO MOLEX ELECTRONIC TECHNOLOGIES, LLC AND SHOULD NOT BE USED WITHOUT WRITTEN PERMISSION DIMENSION UNITS: mm SCALE: 2:1 GENERAL TOLERANCES (UNLESS SPECIFIED): ANGULAR TOL: $\pm 3.0^\circ$		CURRENT REV DESC: SEE REVISION TABLE EC NO: 641935 DRWN: GRAVIBABU 2020/07/21 CHK'D: BREVANSIDDAB 2020/07/21 APPR:			
DIVISIONAL SYMBOLS 4 PLACES $\pm$ 3 PLACES $\pm$ 2 PLACES $\pm 0.13$ 1 PLACE $\pm 0.25$ 0 PLACES $\pm$		INITIAL REVISION: DRWN: KMANISHTIWAR 2019/10/04 APPR: TSWAROOPNUNE 2019/11/21		PRODUCT CUSTOMER DRAWING DOCUMENT NUMBER: 1111491442 DOC TYPE: PSD DOC PART: 000 REVISION: A3		MATERIAL NUMBER: SEE CHART CUSTOMER: JOHN DEERE SHEET NUMBER: 1 OF 2	
DRAFT WHERE APPLICABLE MUST REMAIN WITHIN DIMENSIONS		THIRD ANGLE PROJECTION		DRAWING: D-SIZE		SERIES: 111149	

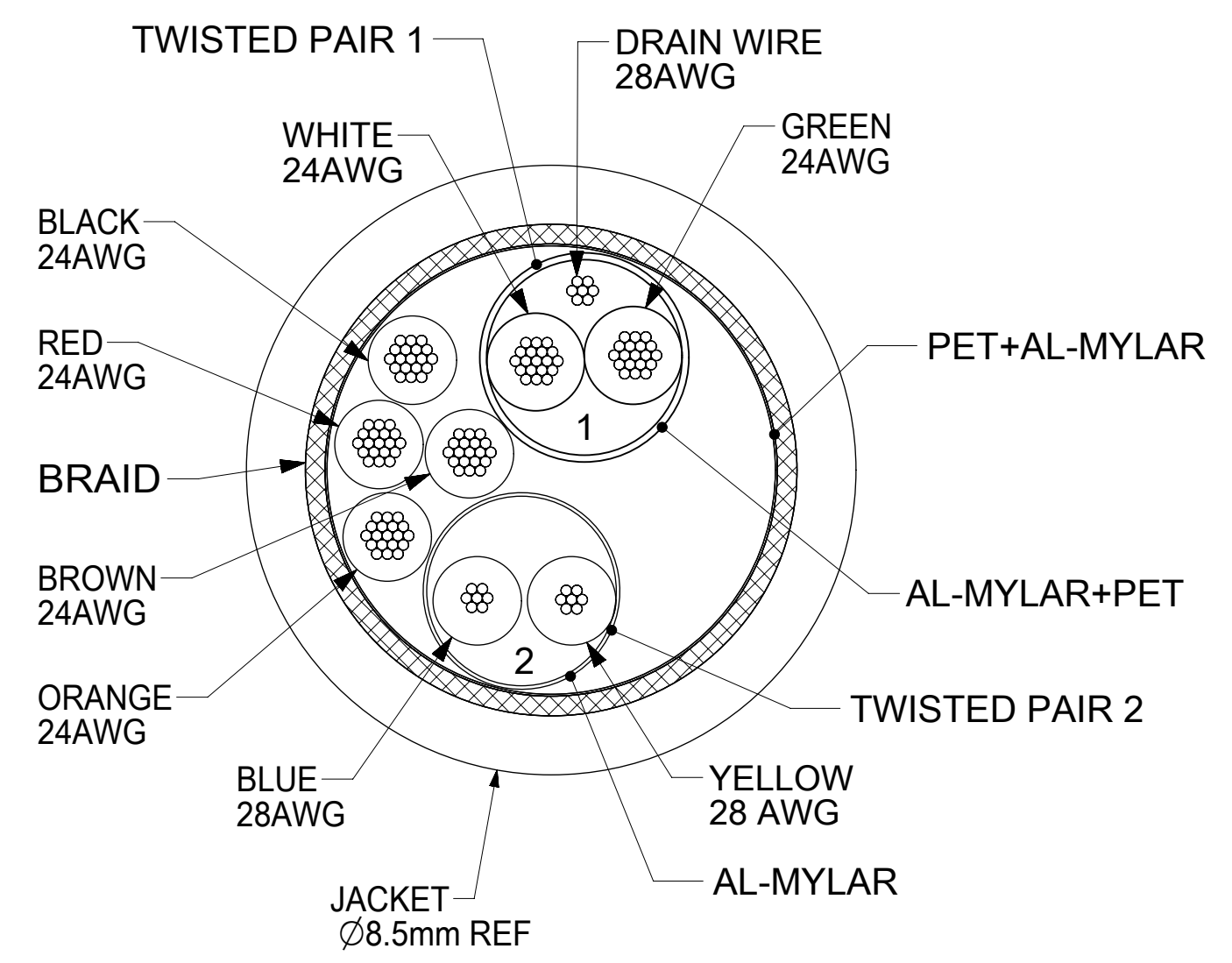
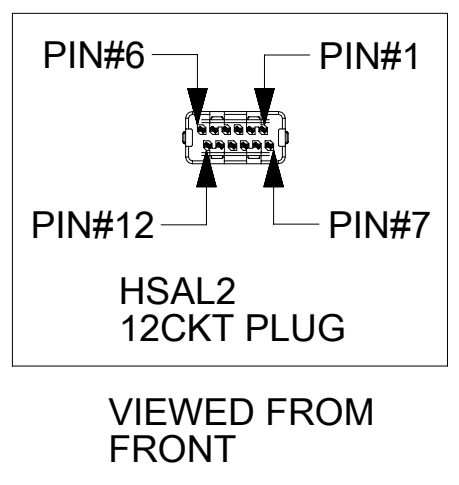
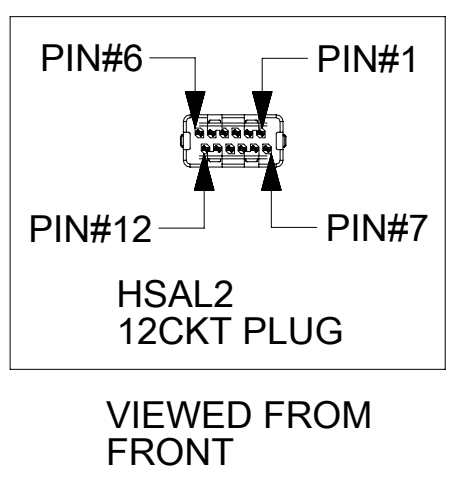
DOCUMENT STATUS	RV	RELEASE DATE

DATE	PSD DOCUMENT REVISION	DESCRIPTION
2019/11/08	A	ORIGINAL RELEASE
2020/01/10	A1	CHG. EDGE CLIP 711580535 WAS 172004182 ; CHG CUSTOMER P/N AXE51323 WAS AQX43372; END2 WAS END1; END1 WAS END2
2020/01/27	A2	1. INTERCHANGED INDICATION FOR END1 & END 2. 2. CHANGED PRODUCT SPECIFICATION HSA2-2144450000 WAS SEALED PS-34858-001. 3. CHANGED LABEL DOCUMENT 2093051008 WAS 2093051000. 4. CHANGED CUSTOMER PN TO AXE85320 WAS AXE51323
2020/07/21	A3	ADDED NOTE 7.

# COIL DIAGRAM



WIRING DIAGRAM					
12CKT SEALED PLUG (END 2)			12CKT SEALED 65DEG UP PLUG (END 1)		
SIGNAL NAME	CONTACT #	WIRE COLORS	WIRE COLORS	CONTACT #	SIGNAL NAME
LVDS CAMERA SHIELD (DRAIN)	1	DRAIN	DRAIN	1	LVDS CAMERA SHIELD (DRAIN)
LVDS+ CAMERA DATA	2	WHITE	WHITE	2	LVDS+ CAMERA DATA
LVDS- CAMERA DATA	3	GREEN	GREEN	3	LVDS- CAMERA DATA
NO CONNECT	4	--	--	4	NO CONNECT
CAMERA SUPPLY VOLTAGE 1	5	RED	RED	5	CAMERA SUPPLY VOLTAGE 1
CAMERA INTERFACE RETURN 1	6	BLACK	BLACK	6	CAMERA INTERFACE RETURN 1
NO CONNECT	7	--	--	7	NO CONNECT
CAMERA DATA CNTL+	8	BLUE	BLUE	8	CAMERA DATA CNTL+
CAMERA DATA CNTL-	9	YELLOW	YELLOW	9	CAMERA DATA CNTL-
NO CONNECT	10	--	--	10	NO CONNECT
CAMERA SUPPLY VOLTAGE 2	11	BROWN	BROWN	11	CAMERA SUPPLY VOLTAGE 2
CAMERA INTERFACE RETURN 2	12	ORANGE	ORANGE	12	CAMERA INTERFACE RETURN 2
BRAID TO SHIELD	SHIELD	BRAID TO SHIELD	SHIELD	SHIELD	BRAID TO SHIELD



CABLE CONSTRUCTION  
IPM CABLE

PRE-RELEASE  
REFERENCE  
USE ONLY

FUNCTIONAL SYMBOLS FA = 0 FC = 0 FD = 0	THIS DRAWING CONTAINS INFORMATION THAT IS PROPRIETARY TO MOLEX ELECTRONIC TECHNOLOGIES, LLC AND SHOULD NOT BE USED WITHOUT WRITTEN PERMISSION	SCALE 2:1	CURRENT REV DESC: SEE REVISION TABLE		
	DIMENSION UNITS mm	GENERAL TOLERANCES (UNLESS SPECIFIED)	EC NO: 641935		
DIVISIONAL SYMBOLS	ANGULAR TOL ± 3.0°	4 PLACES ±	DRWN: GRAVIBABU	2020/07/21	
	3 PLACES ±	2 PLACES ± 0.13	CHK'D: BREVANSIDDAB	2020/07/21	
	1 PLACE ± 0.25	0 PLACES ±	APPR:		
	DRAFT WHERE APPLICABLE MUST REMAIN WITHIN DIMENSIONS	THIRD ANGLE PROJECTION	INITIAL REVISION:		
		D-SIZE	DRWN: KMANISHTIWAR	2019/10/04	
		111149	APPR: TSWAROOPNUNE	2019/11/21	
DOCUMENT STATUS	RV	RELEASE DATE	MATERIAL NUMBER	CUSTOMER	SHEET NUMBER
			1111491442	JOHN DEERE	2 OF 2