

THIS DRAWING IS UNPUBLISHED.

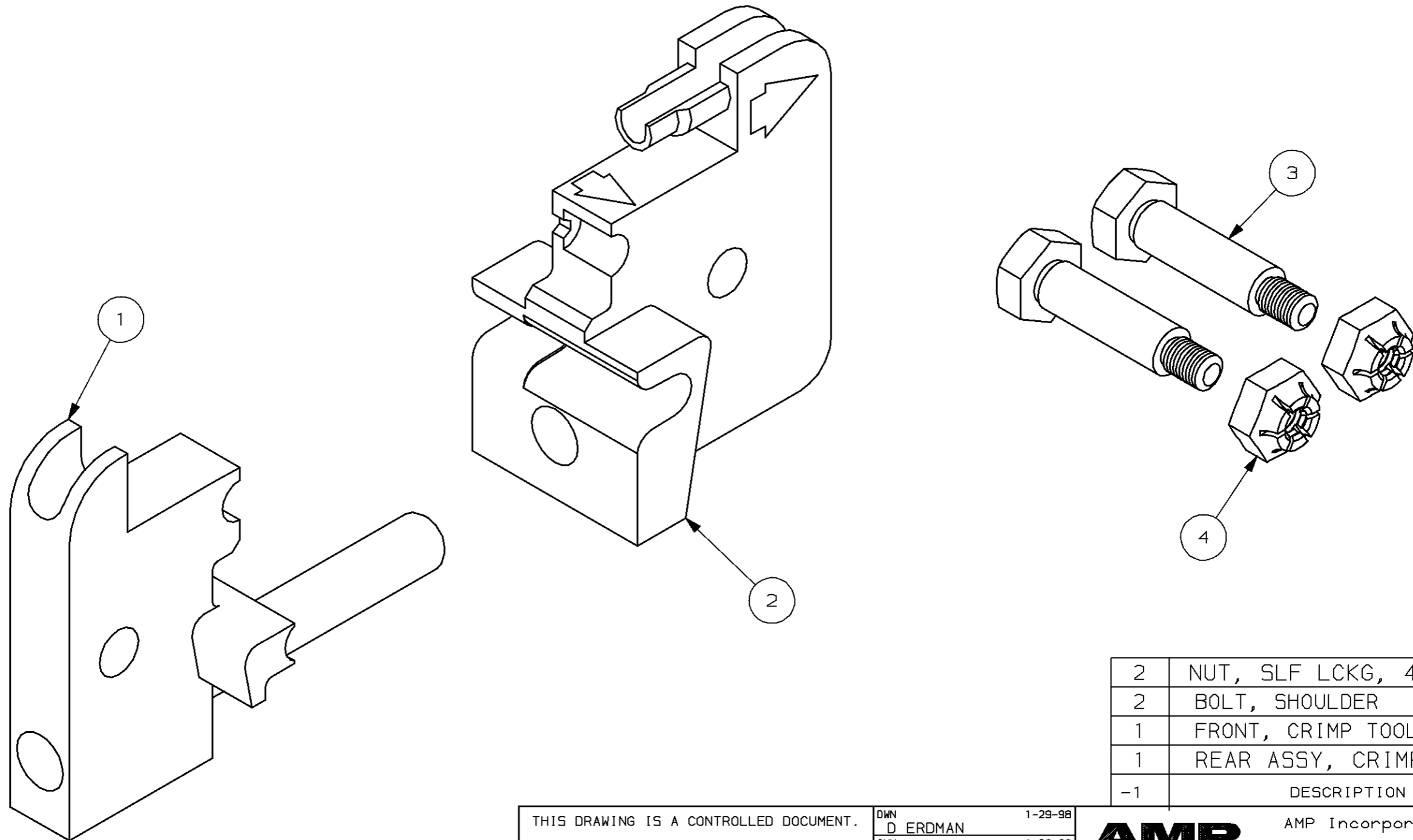
RELEASED FOR PUBLICATION

,19 .

© COPYRIGHT 19

BY AMP INCORPORATED. ALL RIGHTS RESERVED.

LOC	DIST	REVISIONS			
P	LTR	DESCRIPTION	DATE	DWN	APVD
	0	REL PER NPR 98-030	1-29-98	DDE	JD



2	NUT, SLF LCKG, 4-40	4
2	BOLT, SHOULDER	3
1	FRONT, CRIMP TOOL	2
1	REAR ASSY, CRIMP TOOL	1
-1	DESCRIPTION	ITEM NO

THIS DRAWING IS A CONTROLLED DOCUMENT.		DWN	D ERDMAN	1-29-98	 AMP Incorporated Harrisburg, PA 17105-3608											
DIMENSIONS: DIMENSIONS TOLERANCES UNLESS OTHERWISE SPECIFIED.		CHK	J DAVIS	1-29-98												
mm		APVD	K MONROE	1-29-98												
<table border="1"> <tr><td>0 PLC</td><td>±-</td></tr> <tr><td>1 PLC</td><td>±-</td></tr> <tr><td>2 PLC</td><td>±-</td></tr> <tr><td>3 PLC</td><td>±-</td></tr> <tr><td>4 PLC</td><td>±-</td></tr> <tr><td>ANGLES</td><td>±-</td></tr> </table>		0 PLC	±-	1 PLC		±-	2 PLC	±-	3 PLC	±-	4 PLC	±-	ANGLES	±-	NAME	DIESET W/PROCRIMPER LightCrimp Plus SC
0 PLC	±-															
1 PLC	±-															
2 PLC	±-															
3 PLC	±-															
4 PLC	±-															
ANGLES	±-															
MATERIAL	FINISH	PRODUCT SPEC	-		SIZE	CAGE CODE	DRAWING NO	RESTRICTED TO								
-	-	APPLICATION SPEC	-		A3	00779	C- 492783	-								
CUSTOMER DRAWING				WEIGHT	-	SCALE	4:1	SHEET	1 OF 1	REV	0					