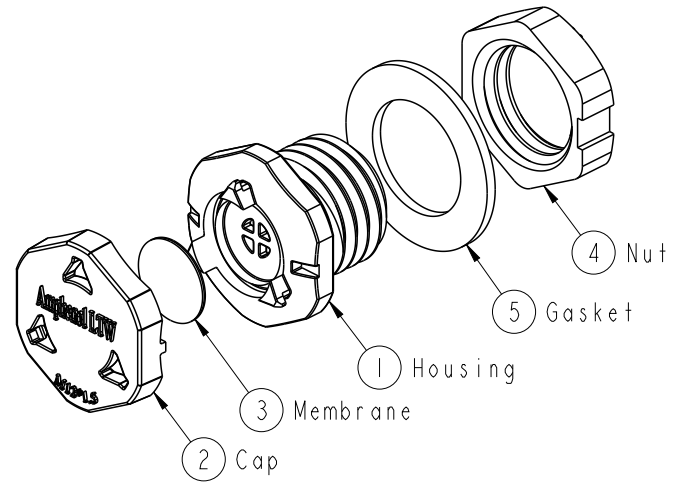
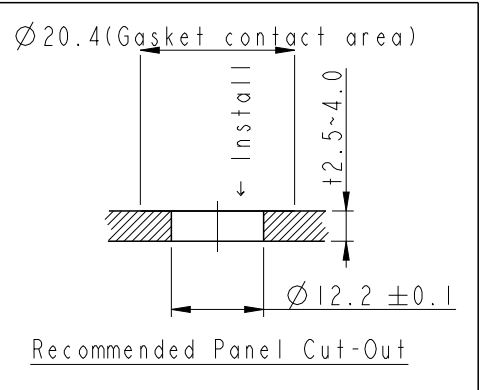
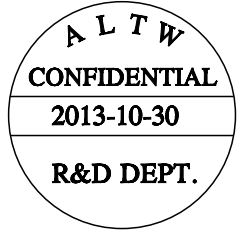
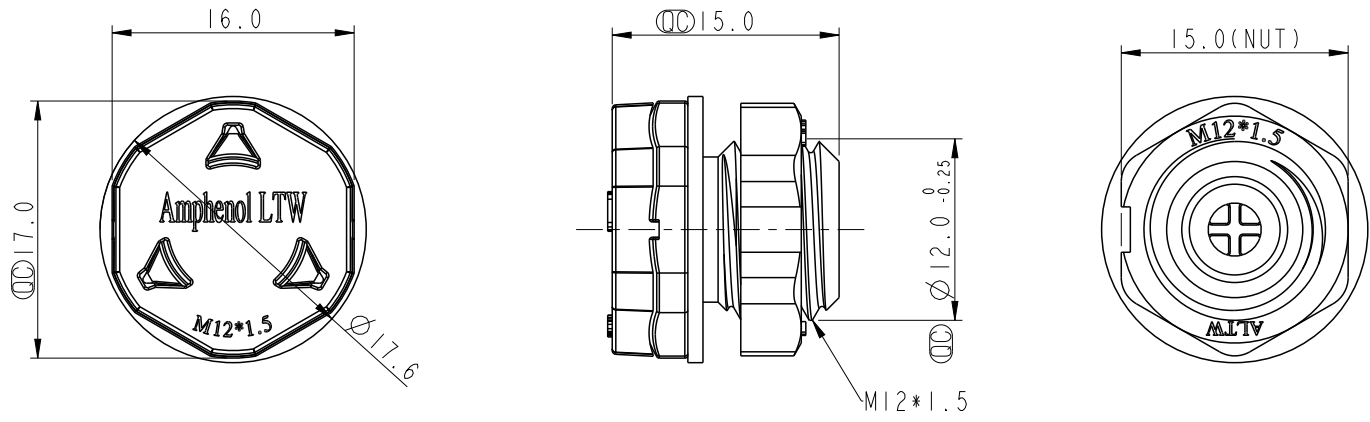


REV.	ECN NO.	DATE	SIGN	DESCRIPTION
B	LE313B0348	2013/11/22	Kelly	Change Note



- Note:**
- \*  $\varnothing$  Important Dimension.
  - \* Waterproof Rate: IP68, IP69K
  - \* Housing: M-PPE, UV Resistance, Black
  - \* Cap: M-PPE, UV Resistance, Black
  - \* Membrane: PTFE
  - \* Nut: M-PPE, UV Resistance, Black
  - \* Gasket: Silicone, Gray
  - \* Panel Thickness: 2.5~4.0mm
  - \* Air Permeability: >260ml/min @70mbar
  - \* Water Entry Pressure: >60KPa

UNIT: mm		
TOLERANCE	.X	$\pm 0.25$
	.XX	$\pm 0.1$
	.XXX	$\pm 0.05$
ANGLES		$\pm 1^\circ$

TITLE M12*1.5 Vent			
SCALE	SIZE	SHEET	OF
2:1	A4	1	1
REV.	WC-REV.	$\varnothing$ : Inspection item	
B	B.1		

**Amphenol LTW**  
安費諾亮泰企業股份有限公司

ITEM NO.	DRAWN BY	DATE
VENT-BJ002	Kelly-gaotong	2013-10-30
DWG NO.	CHECKED BY	DATE
VENT-BJ002	Tony	2013-10-30
CUSTOMER	APPROVED BY	DATE
ALTW	Victor	2013-10-30

THIS DOCUMENT IS SUBJECT TO CHANGE WITHOUT NOTICE. IT IS CONFIDENTIAL AND A PROPERTY OF AMPHENOL LTW. DISCLOSURE TO THIRD PARTY HAS TO BE AUTHORIZED BY AMPHENOL LTW.