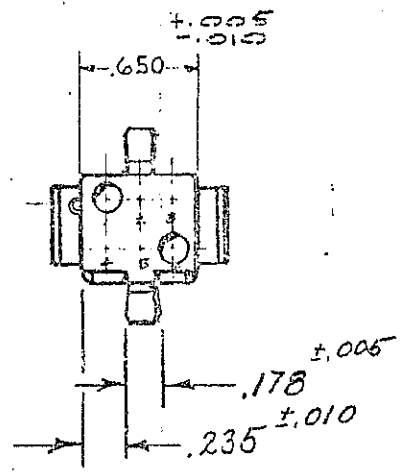
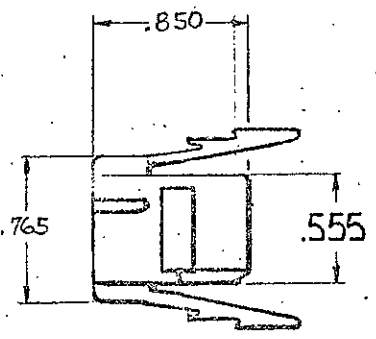
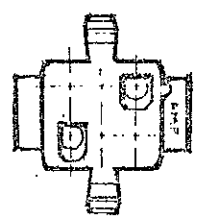


DRAWING NUMBER  
**480273**



HOUSING N°	COLOR
1-480273-0	NATURAL

**- NOTE -**  
 1- TO BE USED WITH MATE-N-LOK SOCKETS.  
 2- TO BE USED WITH CAP HOUSING 480276.  
 3- SEE SHEET III FOR MOUNTING INFORMATION.

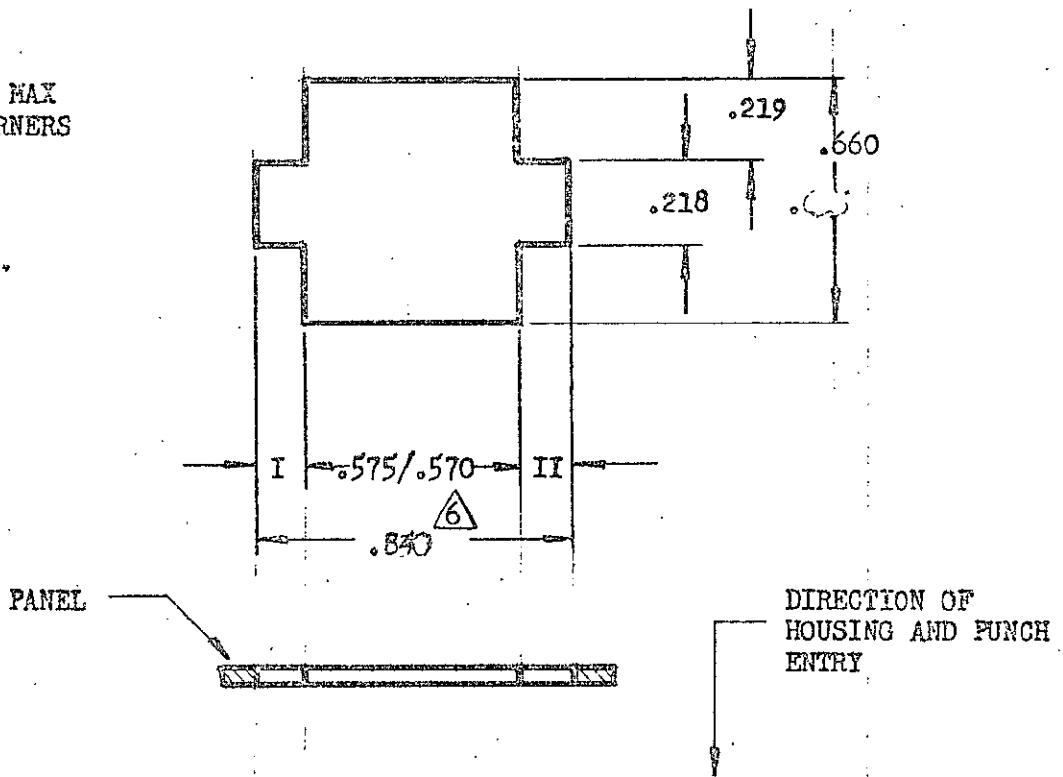
DIMENSIONS IN INCHES. DO NOT SCALE PRINT.

REV PER	0618-006-91	KW	6-4-09	©1969 BY AMP INCORPORATED. ALL RIGHTS RESERVED. AMP PRODUCTS COVERED BY PATENTS AND/OR PATENTS PENDING. MATERIAL:	<b>CUSTOMER COPY REFERENCE ONLY</b>
AH	REV PER EC 0730-0155-95	JH RS	1-1996		
AG	REV PER EC 0730-0164-94	RV RS	8/29/94	<b>NYLON</b>	<b>AMP</b> INCORPORATED HARRISBURG, PENNA. CLASS .086 SOCKET HOUSING
AF	OBS 1-6 PER CM 2708	TB RS	1/11/83		
AE	REVISED PER CM-2594	PKC RS	5-10-82		
AD	OBS. 1-2 PER CM-890	PH RS	11-24-81		
WIRE	RANGE	INSULATION	TYPE	PANEL MOUNT	
LTB	REVISION RECORD	DR	CHK	DATE	TOLERANCE EXCEPT AS NOTED: ±.010 ±.001 1:1 CM A
PRINT	C.R. STOVER 11/4	PE	R. Williams	11-10-61	NAME: 6 CIRCUIT MATE-N-LOK PLUG
CHK	10/20/61	APP	4/21/60	11/1/61	NO. 480273 REV. A



SHEET 3 OF 3  
 NUMBER  
 480273

.015 R MAX  
 ALL CORNERS



- NOTE: 1. Recommended panel thickness .025 - .025.
2. Both locking legs to be squeezed together and housing to be inserted straight-in, as opposed to a rocking manner of insertion.
3. The panel must be punched so that the housing enters the panel in the same direction as the punch.
4. Dimensions I and II to be equal within .005.
5. Panel must not have any material (paint, porcelain, etc.) applied in the mounting hole area that would decrease retention of the housing in the panel.
6. If Notes 3 and/or 5 are not complied with, the .840 dimension should be reduced to .820 to assure proper housing retention in the panel.

DIMENSIONS IN INCHES. DO NOT SCALE PRINT.

©1972 BY AMP INCORPORATED, ALL RIGHTS RESERVED. AMP PRODUCTS COVERED BY PATENTS AND/OR PATENTS PENDING MATERIAL AND FINISH

CUSTOMER COPY  
 REFERENCE ONLY



AMP INCORPORATED  
 HARRISBURG, PENNA.

CLASS \_\_\_\_\_

WIRE — RANGE — INSULATION TYPE \_\_\_\_\_

TOLERANCE EXCEPT AS NOTED  
 ± .003 ± 1° 0'

SCALE

LOC

QU

CM A 480273 1A

NAME

RECOMMENDED MOUNTING INFORMATION  
 6 CIRCUIT MATE-N-LOK PANEL MOUNT PLUG

LTN	REVISION RECORD	ECN	CHK	DATE
A	REVISED PER M-3559	pkp	1-6-76	1-6-76
53	DR DAYTON HOLMES 7-26-72	DE		
	CHK Thumble 7-26-72	APP	Thumble 7-26-72	