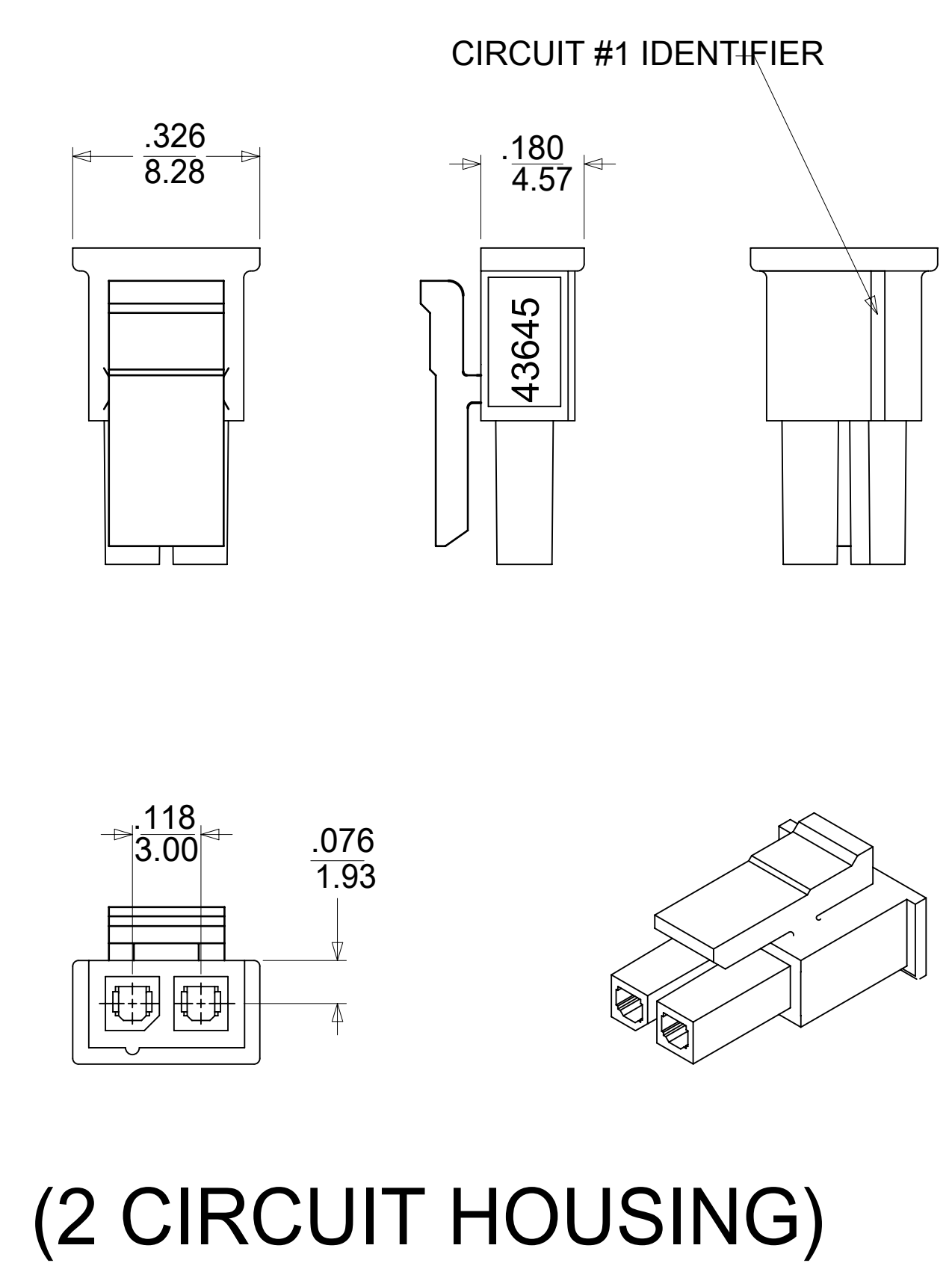
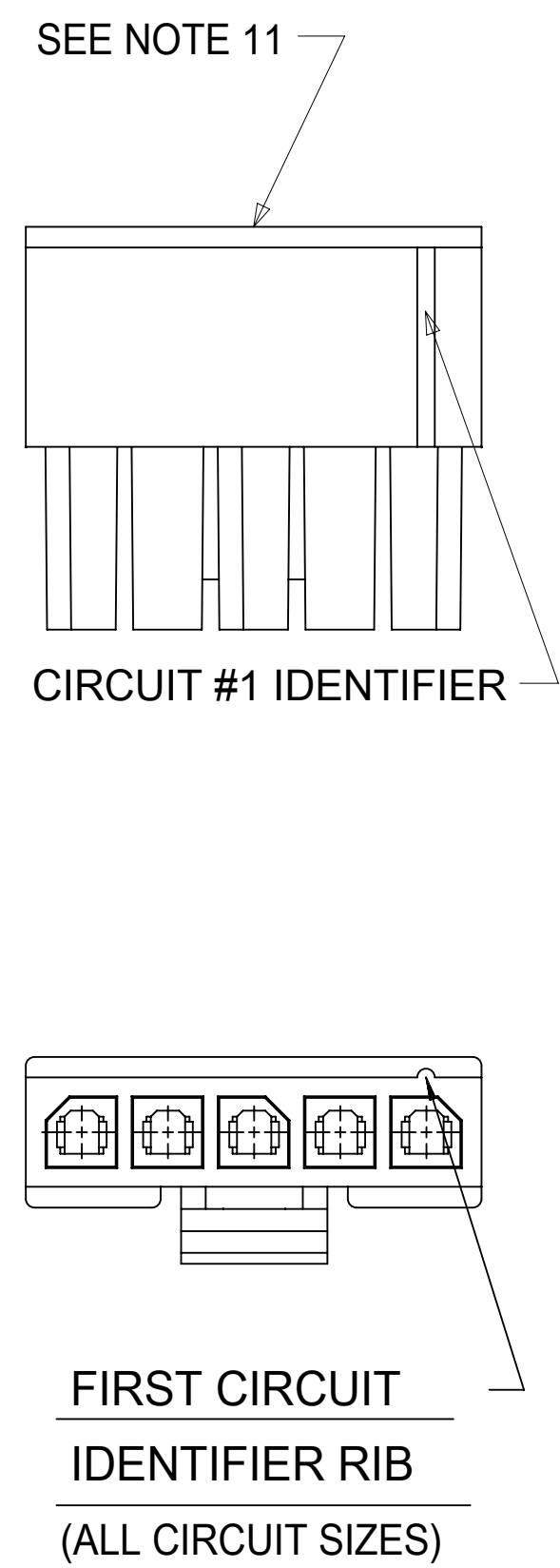
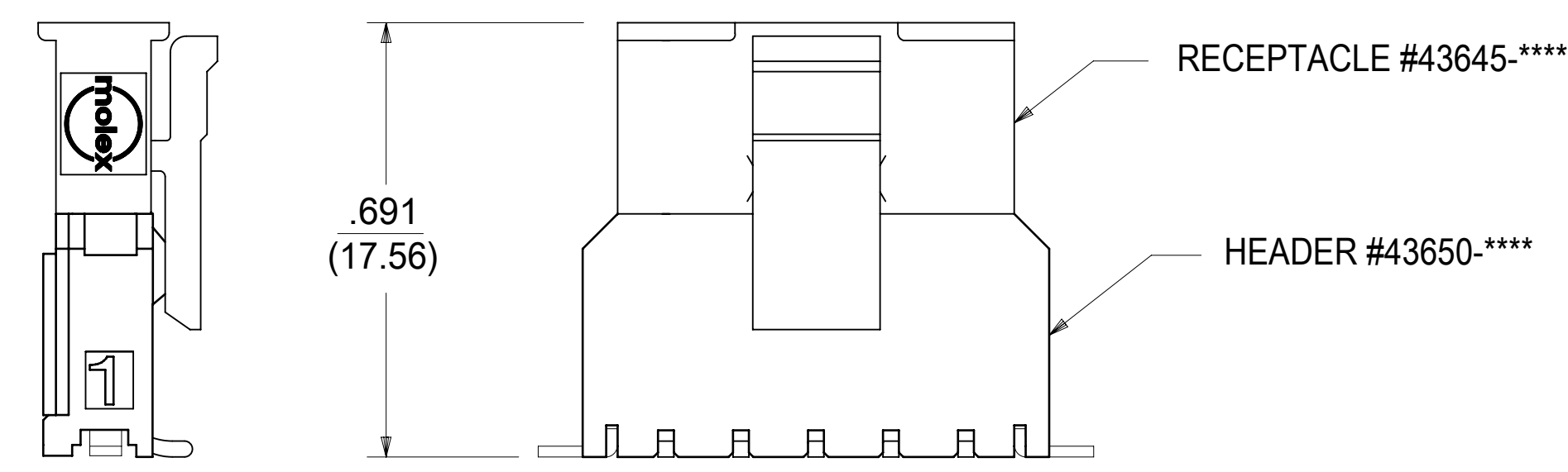


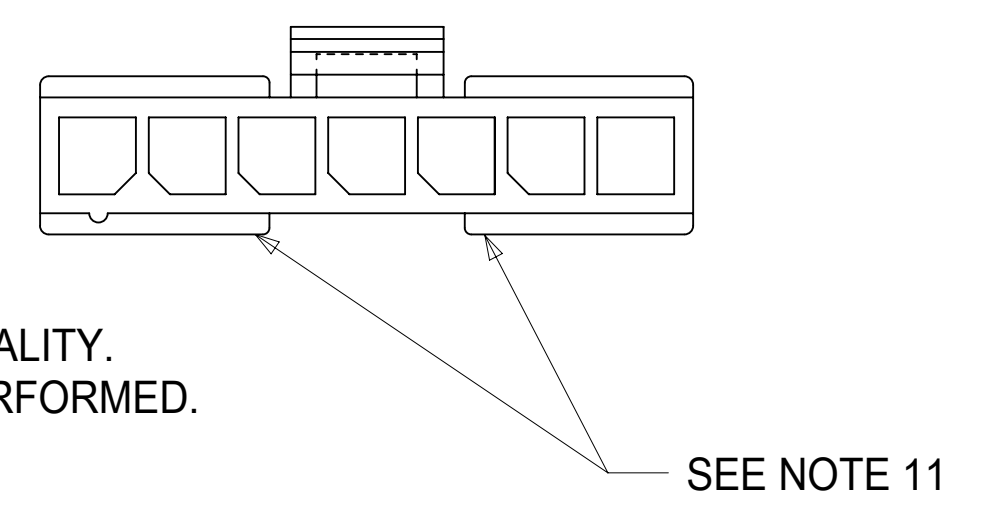
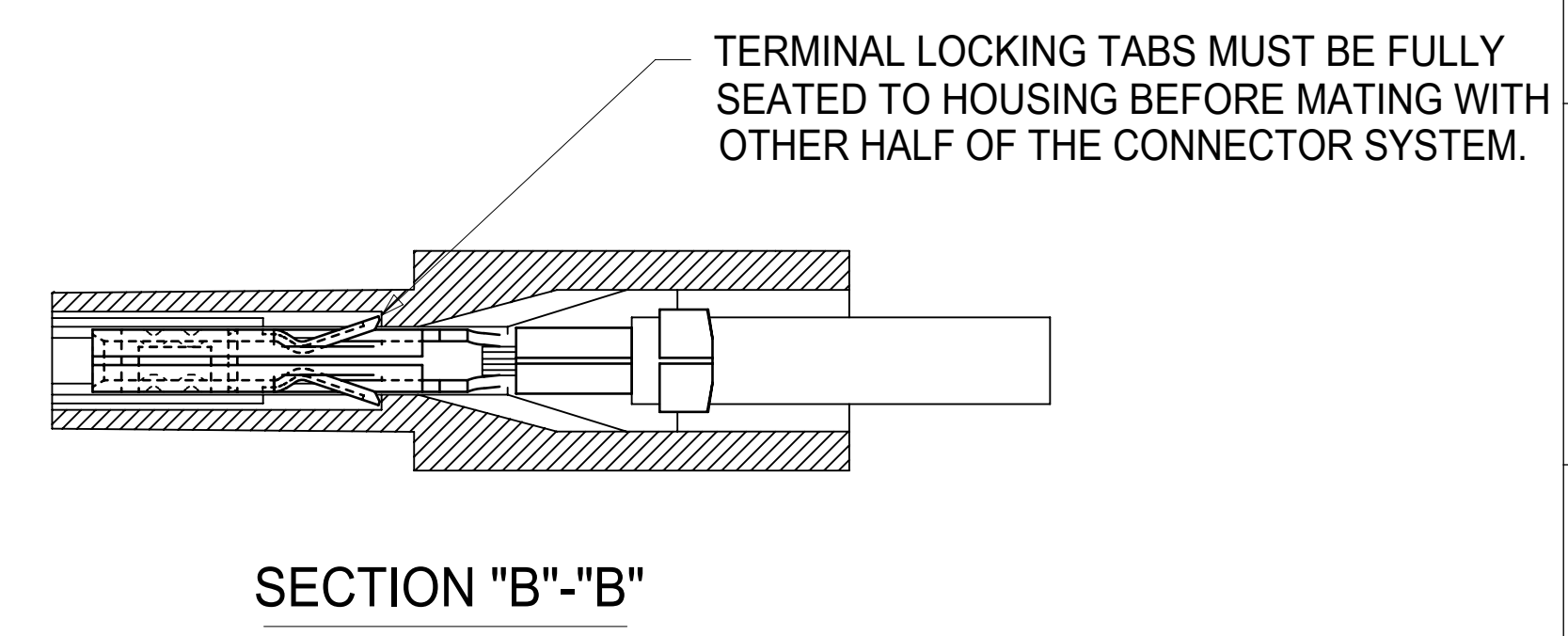
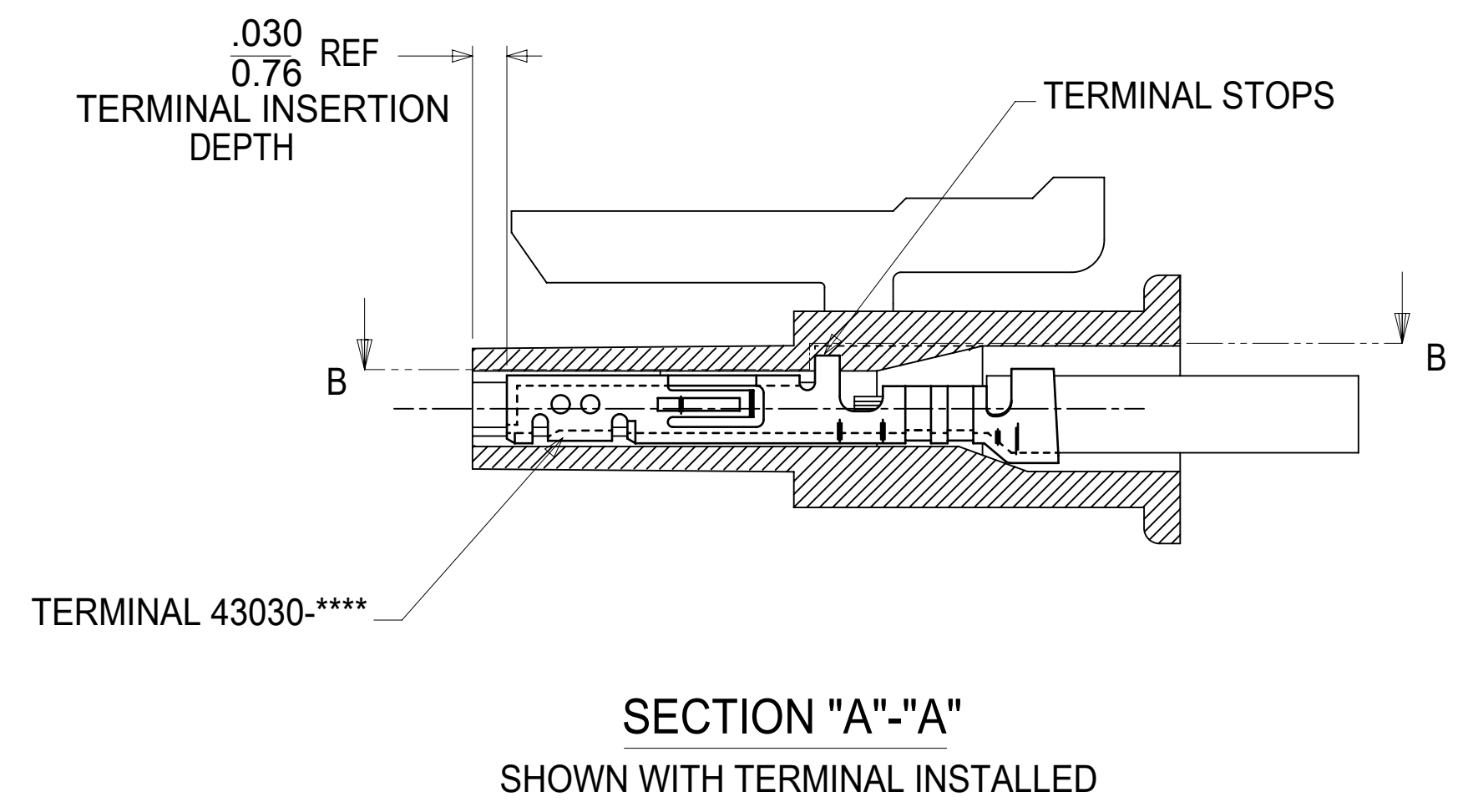
(3-12 CIRCUIT HOUSING)



(2 CIRCUIT HOUSING)



MATED MICRO-FIT CONNECTOR



- NOTES:**
- HOUSING MATERIAL:
 "A" - UNFILLED POLYESTER, RATED U.L. 94V-0, COLOR IS BLACK.
 "B" - UNFILLED NYLON, RATED U.L. 94V-0, HALOGEN-FREE, COLOR IS BLACK.
 - FINISH : N/A
 - PRODUCT SPECIFICATION : PS-43650
 - PACKAGING SPECIFICATION: PK-43645-001
 - THIS RECEPTACLE ACCEPTS MOLEX MICRO FIT FEMALE CRIMP TERMINALS SERIES 43030 OR 46235,
 - SEE SECTION "A"- "A" FOR TERMINAL ORIENTATION IN HOUSING.
 - FOR OVERMOLDING PARAMETERS SEE APPLICATION SPECIFICATION 430250000-AS.
 - THIS RECEPTACLE MATES WITH MOLEX PCB HEADER 43650 SERIES AND MOLEX PLUG 43640 SERIES (WIRE TO WIRE APPLICATIONS).
 - SOME HOUSINGS MAY HAVE A SMALL GATE BLEMISH NEAR THE GATE LOCATION THAT DOES NOT AFFECT FUNCTIONALITY.
 - MOLEX RECOMMENDS THE USE OF MICRO-FIT TEST PLUG, SERIES 44242-**** WHENEVER CONTINUITY TESTING IS PERFORMED. TEST PLUGS MUST NOT BE USED TO MAKE OR BREAK UNDER LOAD. MOLEX DOES NOT RECOMMEND USING STANDARD MATING COMPONENTS FOR HARNESS TESTING PURPOSES.
 - THIS RIB IS DISCONTINUOUS ON CIRCUIT SIZES 7 THROUGH 12
 - PART CONFORMS TO CLASS 'B' REQUIREMENTS OF COSMETIC SPECIFICATION PS-45499-002.
 - TEXT ON PART IS FOR REFERENCE ONLY. TEXT AND TEXT LOCATION MAY VARY DEPENDING ON PART NUMBER AND/OR TOOL.
 - PARTS MADE FROM MATERIAL "B" ARE CONSTRUCTED TO MEET THE REQUIREMENT FOR DIRECT SUPPORT OF UNINSULATED LIVE PARTS AS DESCRIBED IN UL61800-5-1.

FUNCTIONAL SYMBOLS FA = 0 FC = 0 FP = 0	THIS DRAWING CONTAINS INFORMATION THAT IS PROPRIETARY TO MOLEX ELECTRONIC TECHNOLOGIES, LLC AND SHOULD NOT BE USED WITHOUT WRITTEN PERMISSION		CURRENT REV DESC: ADD NOTE 14		molex	
	DIMENSION UNITS	SCALE				
	INCH/MM	4:1				
	GENERAL TOLERANCES (UNLESS SPECIFIED)					
DIVISIONAL SYMBOLS	MM	INCH	EC NO: 724017 DRWN: RICARC13 CHK'D: FSMITH APPR: FSMITH		2022/09/14 2022/10/17 2022/10/17	
	4 PLACES ±	±	INITIAL REVISION:		DOCUMENT NUMBER 436450000-SD	
	3 PLACES ±	± 0.01	DRWN: A.F.G APPR: R.J.F			DOC TYPE PSD
	2 PLACES ±	± 0.014				DOC PART 000
	1 PLACE ±	± 0.35			REVISION A1	
	0 PLACES ±	±				
	ANGULAR TOL ± 0.5 °					
DRAFT WHERE APPLICABLE MUST REMAIN WITHIN DIMENSIONS		THIRD ANGLE PROJECTION	DRAWING D-SIZE	SERIES 43645	MATERIAL NUMBER SEE CHART	CUSTOMER GENERAL MARKET
					SHEET NUMBER 1 OF 1	

THIS DRAWING REPLACES DRAWING SDA-43645-++++.