

4

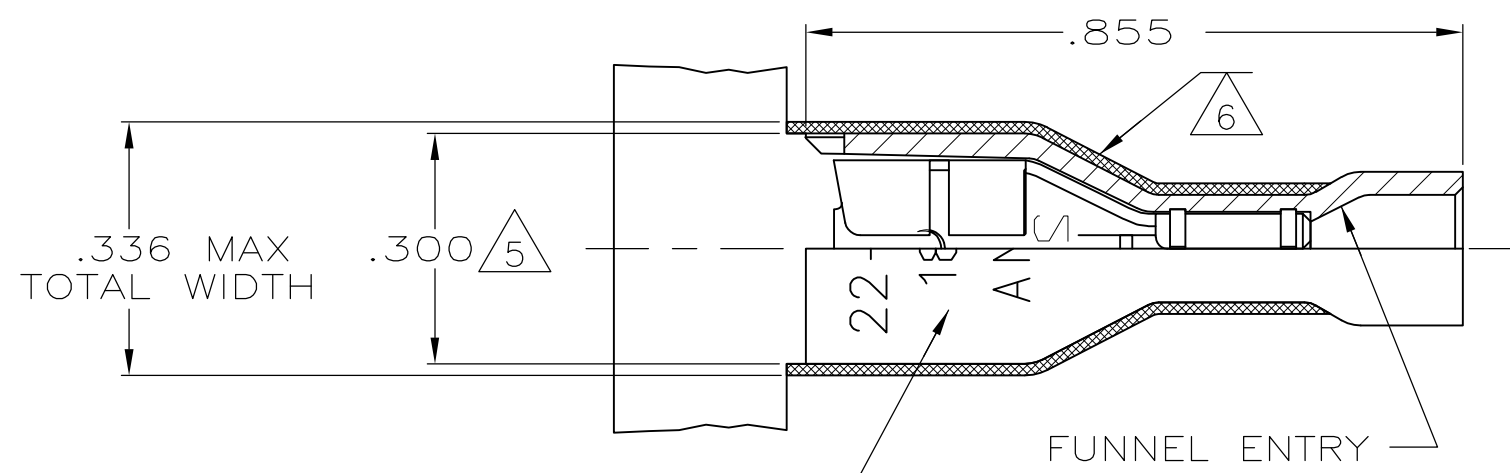
3

2

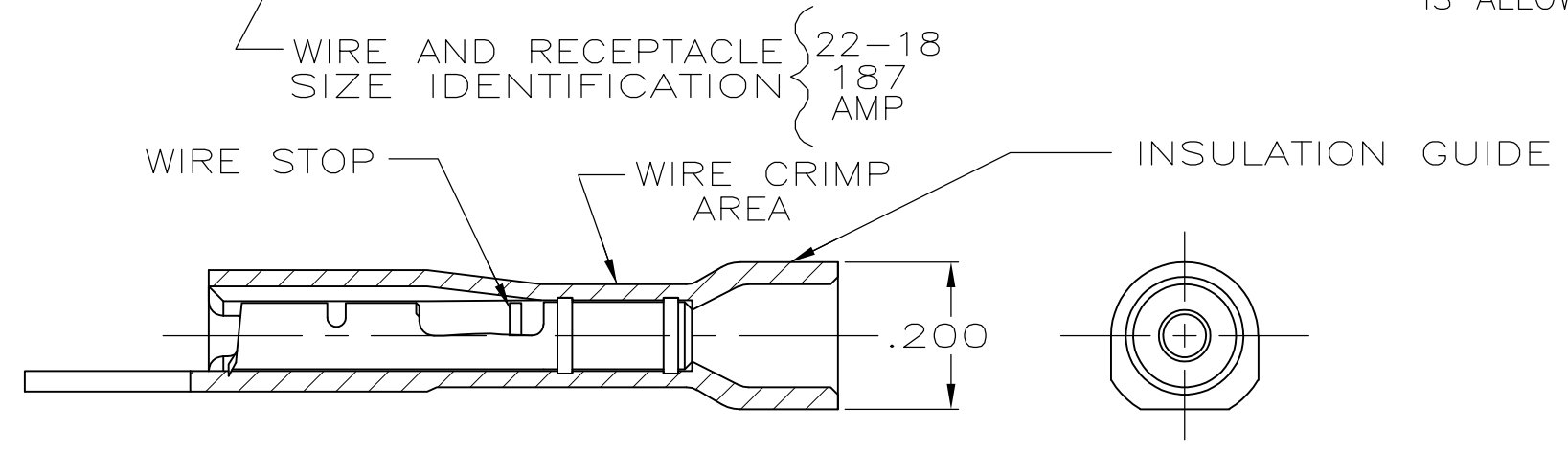
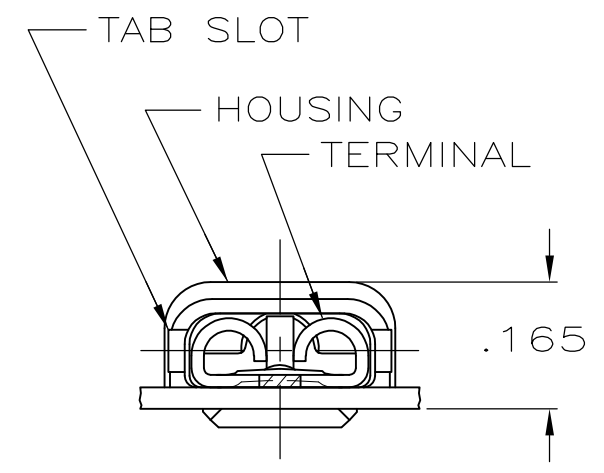
1

THIS DRAWING IS UNPUBLISHED. RELEASED FOR PUBLICATION  
 © COPYRIGHT - By - ALL RIGHTS RESERVED.

LOC	DIST	REVISIONS			
P	LTR	DESCRIPTION	DATE	DWN	APVD
AF	50	W	REVISED PER ECR-13-004343	30JUL13	KH KR



- 1 MATES WITH .020±.001x.187 TAB
- 2 WIRE STRIP LENGTH .281
- 3 INSULATION SIZE .135 MAX DIA
- 4 CONTINUOUS STRIP ON REELS
- △5 DIMENSION DOES NOT INCLUDE TRIM BURR
- △6 .015 MAX CARRIER TRIM BURR PER SIDE IS ALLOWABLE IN THE SHADED AREA



PACKAGING	MATERIAL & FINISH	PART NO
STANDARD	HOUSING:NYLON,COLOR-BLACK TRANSLUCENT RECEPTACLE:BRASS TIN	9-520181-2
BULK	HOUSING:NYLON,COLOR-RED TRANSLUCENT RECEPTACLE:BRASS TIN	5-520181-2
STANDARD	HOUSING:NYLON,COLOR-RED TRANSLUCENT RECEPTACLE:#3 HARD PHOS BRONZE TIN	2-520181-4
	HOUSING:NYLON,COLOR-RED TRANSLUCENT RECEPTACLE:BRASS TIN	2-520181-2

THIS DRAWING IS A CONTROLLED DOCUMENT.		DWN P FORTNEY 10/7/88	<b>STE</b> TE Connectivity		
DIMENSIONS: INCHES		CHK MS FEHER 10/10/88			
TOLERANCES UNLESS OTHERWISE SPECIFIED:		APVD K RANDOLPH 10/10/88	PRODUCT SPEC 108-2043		
0 PLC ± -		APPLICATION SPEC 114-2123		SIZE	RESTRICTED TO
1 PLC ± -		WEIGHT -		CAGE CODE	A300779
2 PLC ± -		CUSTOMER DRAWING		DRAWING NO	
3 PLC ± .015		SCALE 4:1		SHEET 1 OF 1	REV W
4 PLC ± -		SCALE 4:1		SHEET 1 OF 1	REV W
ANGLES ± -		SCALE 4:1		SHEET 1 OF 1	REV W
FINISH		SCALE 4:1		SHEET 1 OF 1	REV W
SEE TABLE		SCALE 4:1		SHEET 1 OF 1	REV W