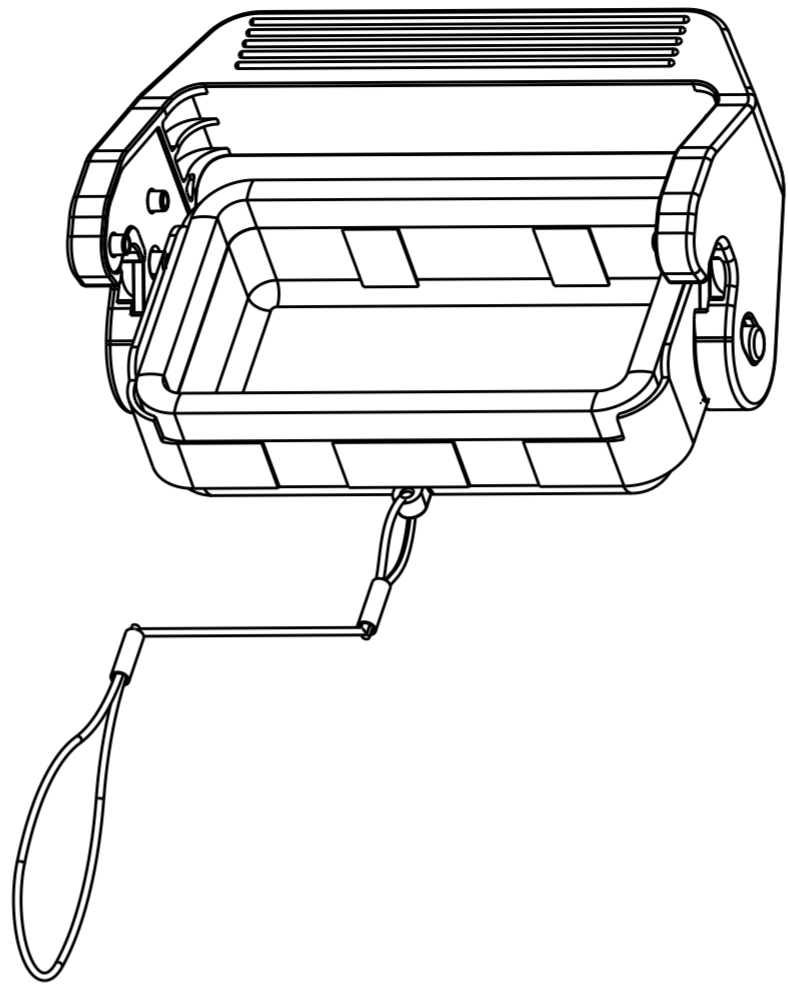
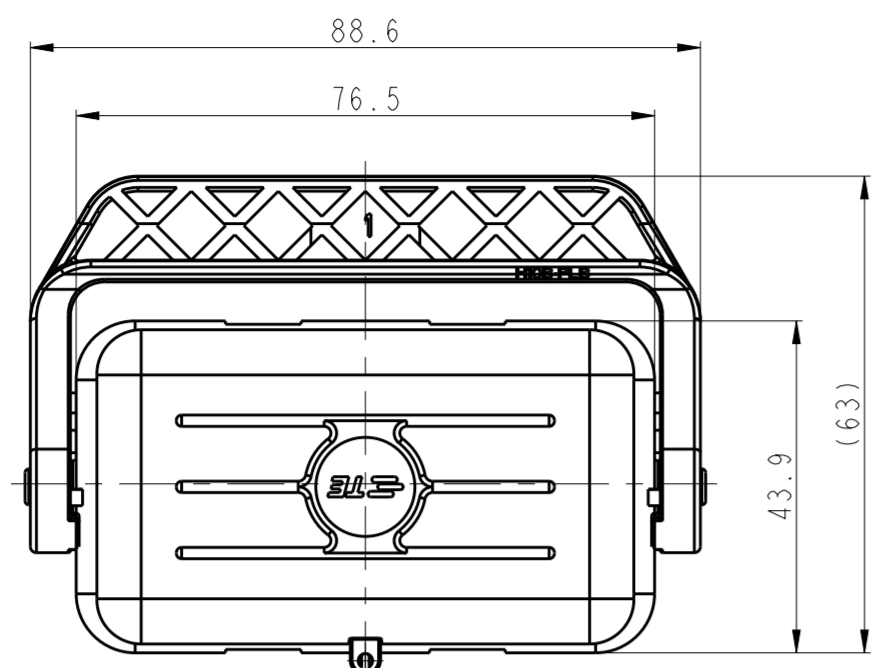


THIS DRAWING IS UNPUBLISHED. RELEASED FOR PUBLICATION  
 © COPYRIGHT copyright.d8Te- ALL RIGHTS RESERVED.

REVISIONS					
P	LTR	DESCRIPTION	DATE	DWN	APVD
	A	INITIAL	18JAN2017	CH	CW
	AI	ECR-17-007543	27MAY2017	CH	CW

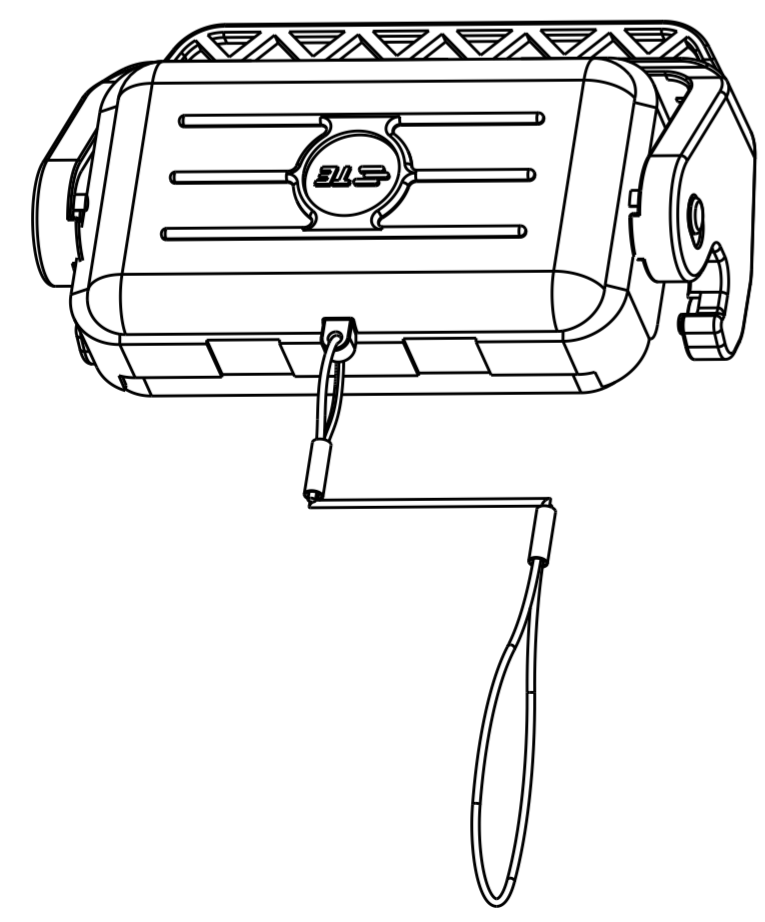
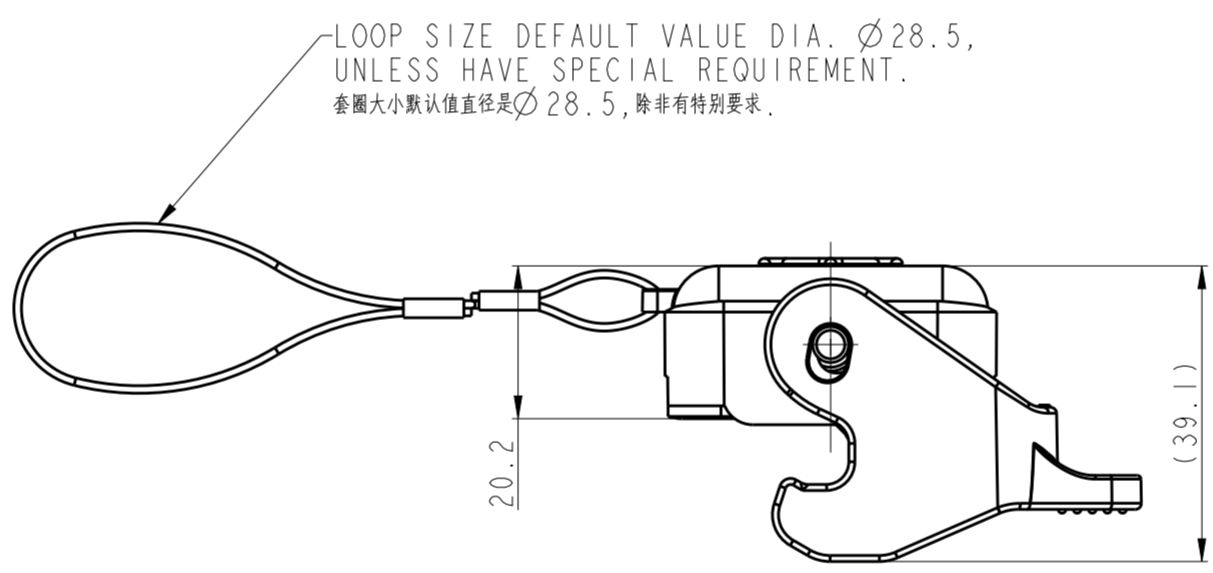
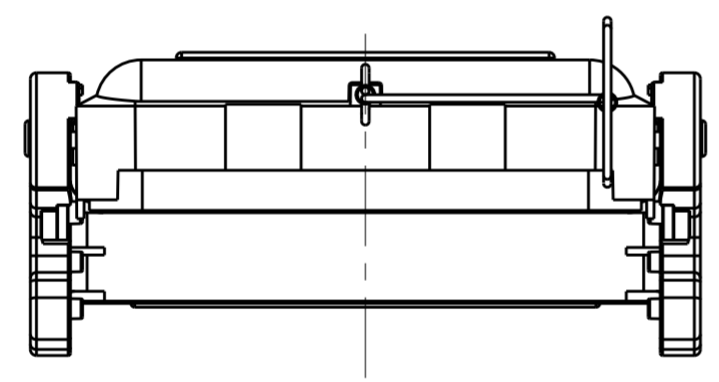


NOTES:  
 1. TECHNICAL CHARACTERISTICS:  
 COVER MATERIAL: PC, GREY  
 PLASTIC SINGLE LOCKING MATERIAL: NYLON, GREY  
 SEALING MATERIAL: NBR, BLACK

注释:  
 1. 技术参数:  
 保护盖材质: PC, 灰色  
 塑料单扣材质: 尼龙, 灰色  
 密封材质: NBR, 黑色

TRANSPARENT NYLON ROPE:  
 TOTAL LENGTH 380mm,  
 DIA.  $\varnothing$ 1.0mm  
 透明尼龙绳: 总长380mm, 直径 $\varnothing$ 1.0mm

LOOP SIZE DEFAULT VALUE DIA.  $\varnothing$ 28.5,  
 UNLESS HAVE SPECIAL REQUIREMENT.  
 套圈大小默认直径是 $\varnothing$ 28.5, 除非有特别要求。



T1010101500-000	H10B-KDTP-LB	H10B HOOD PLASTIC PROTECTION COVER, PLASTIC SINGLE LOCKING, SEALING, NYLON ROPE, GREY H10B上壳塑料保护盖, 塑料单扣, 带密封, 尼龙绳, 灰色
PART NUMBER 料号	PART DESCRIPTION 描述	

THIS DRAWING IS A CONTROLLED DOCUMENT.		DWN CHARLIE HU 18JAN2017	TE Connectivity	
		CHK KYLE ZENG 18JAN2017		
		APVD CHRIS WANG 18JAN2017		
DIMENSIONS: mm 		TOLERANCES UNLESS OTHERWISE SPECIFIED: 0 PLC $\pm$ 1 PLC $\pm$ 2 PLC $\pm$ 3 PLC $\pm$ 4 PLC $\pm$ ANGLES $\pm$ FINISH -		NAME H10B-KDTP-LB
MATERIAL -		PRODUCT SPEC -	APPLICATION SPEC -	RESTRICTED TO -
		WEIGHT -	SIZE A2	CAGE CODE -
		CUSTOMER DRAWING	DRAWING NO. $\varnothing$ -T1010101500000	SCALE 1:1
			SHEET 1 OF 1	REV AI