

TPS62080, TPS62080A, 1.2-A, High-Efficiency, Step-Down Converter in 2 x 2-mm SON Package

This user's guide describes the TPS62080 evaluation module (EVM), how to perform a stand-alone evaluation or interface with a host or system. The converter is designed to deliver up to 1200 mA of continuous current to the output. The converter can be switched into snooze mode by pulling the mode pin high. Snooze mode is typically used in system standby mode, results in better efficiency at light loads (longer run time) at the expense of higher output ripple and reduced dynamic performance, which is often a good tradeoff in this dormant system mode.

This EVM can support evaluation of either the TPS62080 or TPS62080A IC. The EVM is delivered with the TPS62080 IC and the only difference between the two ICs is the discharge resistor that is internally connected between the SW pin and the ground when the IC is disabled. The TPS62080 connects a 1k and the TPS62080A connects a 50 Ω . To test with the 50 Ω discharge resistor, the IC can be replaced with TPS62080A. When using TPS62080A, [Figure 9](#) will have a faster discharge on V_{OUT} .

1 Introduction

The TPS6208x focuses on high-efficiency, step-down conversion over a wide output current range. At medium-to-heavy loads, the converter operates in PWM mode and automatically enters PFM or Power Save mode operation at light-load currents to maintain high efficiency over the entire load current range. To maintain high efficiency at low load or no load currents, a Snooze mode with an ultralow quiescent current (5 μ A) is implemented, which maintains the output voltage. This function increases the run-time of battery-driven applications and keeps the standby current at its lowest level to meet green energy standards targeting for a low standby current. To address the requirements of powering supply rails, the internal compensation circuit allows a large selection of external output capacitor values ranging from 10 μ F up to 100 μ F. The TPS6208x operates at a nominal frequency of 3 MHz. With its DCS-Control™ architecture, excellent load transient performance, and output voltage regulation, accuracy is achieved. The robust architecture and safety features allow perfect system integration. The device is available in 2 x 2-mm package with thermal PAD.

2 Considerations With Evaluating the TPS62080

This integrated circuit (IC) has three modes of operation, the PWM/PFM mode is selected with the mode pin low and is in PWM mode when the load current is greater than half the ripple current (in continuous conduction mode). At light loads, when the inductor current is discontinuous, the IC automatically goes into PFM mode and delivers fewer pulses, trying to keep a tight regulation with low ripple.

Pulling the mode pin high puts the IC in snooze mode, which uses far less power to operate at the expense of higher ripple voltage and reduced transient performance.

3 Test Summary

The TPS62080EVM-641 board requires an adjustable dc power supply with up to a 6-V output and ≥ 600 mA for powering the input to the EVM and a resistive output load between 825 Ω and 5 Ω . Choose the proper power rating for the load resistor, $P=V^2/R$. Use at least 2x the calculated power dissipation. The test setup connections and jumper settings selections are configured for a stand-alone evaluation, but can be changed to interface with external hardware such as a system load and microcontroller.

3.1 Equipment

- Adjustable dc power supply between 2.7 V and 6 V with adjustable current limit set to ~550 mA
- Load: System load or resistive load 5 Ω, 3 W; 100 Ω, 0.25 W; and 825 Ω, 0.25 W
- Three Fluke 75 digital multimeters (DMM); (equivalent or better)
- Oscilloscope, model TDS222 (equivalent or better)

3.2 Equipment and EVM Setup

Table 1 shows the setup input/output connections and configuration of the TPS62080 evaluation module. The silk screen labels are shown in parentheses).

Table 1. Setup I/O Connections and Configuration for TPS62080EVM Evaluation

Jack/Component (Silk Screen)	Connect or Adjustment to:
J1-1/2 (Vin)	P/S positive lead, preset to 4 Vdc; 550-mA current limit.
J2-1 (+ SNS); Input	Positive lead of DMM #1
J2-2 (- SNS); Input	Negative lead of DMM #1
J3-1/2 (GND)	P/S negative lead.
J5-1/2 (Vout)	Positive lead to system load or load resistance
J6-1 (+ SNS); Output	Positive lead of DMM #2
J6-2 (- SNS); Output	Negative lead of DMM #2
J7-1/2 (GND)	Negative lead to system load or load resistance
J4-1 (PG)	Positive lead of DMM #3
J4-2 (GND)	Negative lead of DMM #3
JP1-1/2 (SNOOZE)	Do not apply shunt until procedures calls for change.
JP1-2/3 (PWM/PFM)	Apply shunt to <i>PWM/PFM</i> for converter operation
JP2-1/2 (ON)	Apply shunt to <i>ON</i> for converter operation
JP1-2/3 (OFF)	Do not apply shunt until procedures calls for change.

Connect the meters, scope probes, output load, shunt, and input power supply as listed in Table 1 ; set the oscilloscope to 200 ns/div, positive trigger, dc-coupled on CH2, CH1; ac-coupled and 20 mV/div on CH3; and ac-coupled and 10 mV/div. Users may want to replace resistive load with system load or decade load box to vary load (1-kΩ to 5-Ω load).

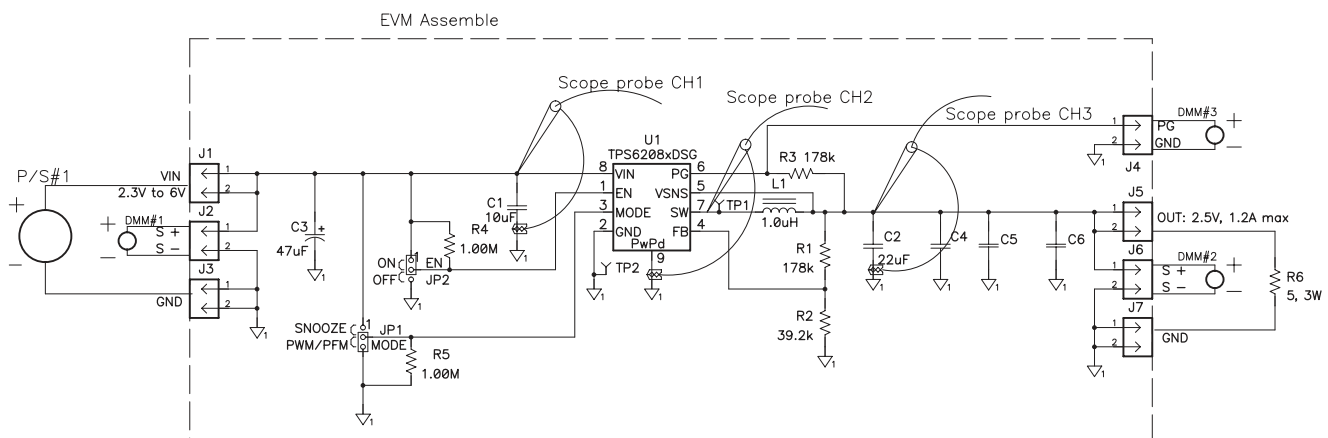


Figure 1. EVM Schematic and Evaluation Setup

3.3 Test Procedure

1. Ensure that the EVM is set up according to [Table 1](#) and [Figure 1](#), and that the power supply is preset to 4 Vdc at ~550-mA current limit.
2. Turn on input supply, and verify that the input voltage is ~4 Vdc (DMM#1) and the output voltage is at ~2.5 Vdc (DMM#2).
3. Look at CH2 and CH3, and verify that the duty cycle is near 67% and the output ripple is less than 10-mV ripple; see [Figure 2](#) for typical waveforms. Note that the output inductance used on the test board used to take the photographs is a 2.2- μ H inductor and the one on the factory EVM is a 1- μ H inductor; therefore, the output ripple is approximately twice the amplitude shown. These waveforms were taken with high-frequency probes (meaning that the ground lead was very short (~1 cm)). This greatly reduces the high-frequency spikes that the ground loop on the probe picks up.
4. Change the load to from 5 Ω to 100 Ω , 0.25 W. Observe the change in the switching waveforms. As the load is reduced, the inductor current becomes discontinuous, and the control automatically switches to PFM mode. Users may need to change the time scale on the oscilloscope to 1 μ s/div for light loads (see [Figure 3](#)). . Set the load back to approximately 5 Ω .
5. Vary input voltage between 2.5 V and 5 V, and observe the change in duty cycle and ripple waveforms.
6. Set the load to 100 Ω (25 mA), set CH3 to 50 mV/div, and move shunt from JMP1-PWM/PFM to JP1-SNOOZE. Observe that the IC is in low-power mode where the IC shuts down for short periods and then wakes up to restore regulation. Note how the ripple is much larger at the expense of better efficiency at light loads (see [Figure 4](#)).
7. Reduce load to 825 Ω (~3 mA), and set CH2 to 5 V/div (see [Figure 5](#)).
8. Set shunt on JP1 to JP1-PWM/PFM. Disconnect positive lead of input supply, and change output load to 5 Ω . Set CH1 to 2 Vdc/div, CH3 to 1 Vdc/div, and time to 50 μ s/div. Set trigger to CH1, trigger level to 2 V, and arm single-sequence trigger. Hot-plug input supply. See [Figure 6](#) for a typical power up. [Figure 7](#) shows the timing of the PG pin applying the input hot plug.
9. Set the single-sequence trigger for negative slope and time for 100 μ s/div; arm scope and unplug power supply. See [Figure 8](#) for an example of power down by removing input supply.
10. Remove the enable shunt, JP2, and connect CH1 to JP2-2 (EN) and plug in the input supply. Arm the oscilloscope, and short between JP2-2 and JP2-1 (OFF). The captured waveform shows output power down by pulling EN low ([Figure 9](#)).
11. Set Scope to positive trigger, arm scope and remove short between JP2-1/2. The captured waveform shows output power up by pulling EN high ([Figure 10](#))
12. With an understanding of the basic functions of the EVM, users may want to connect the EVM into their system using short, twisted wires to minimize impedance.

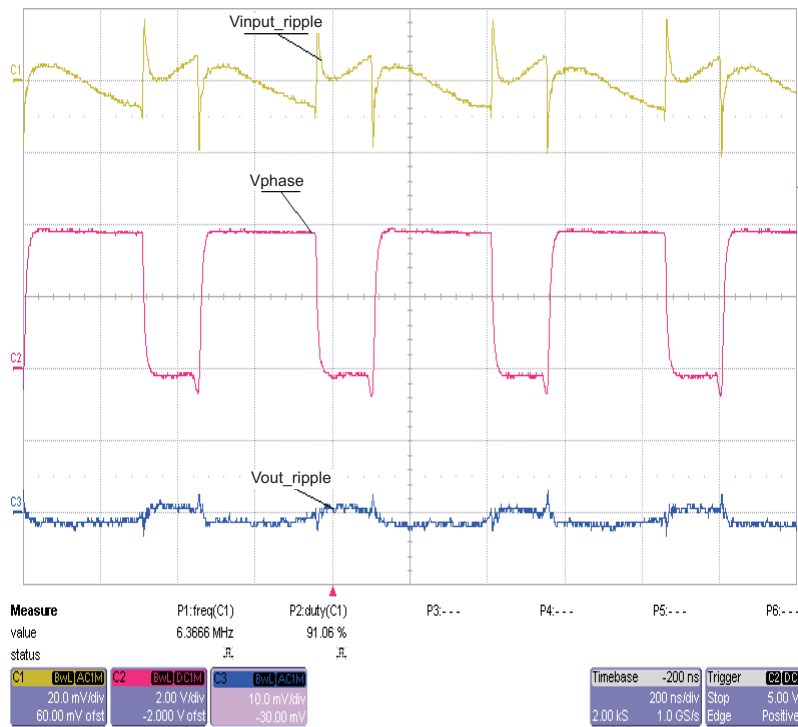


Figure 2. PWM Mode. $V_{in} = 4\text{ V}$, $V_{out} = 2.5\text{ V}$, $I_{out} = 0.5\text{ A}$. CCM Operation, Therefore PWM Mode CH1 = Input Ripple; CH2 = Phase; CH3 = Output Ripple

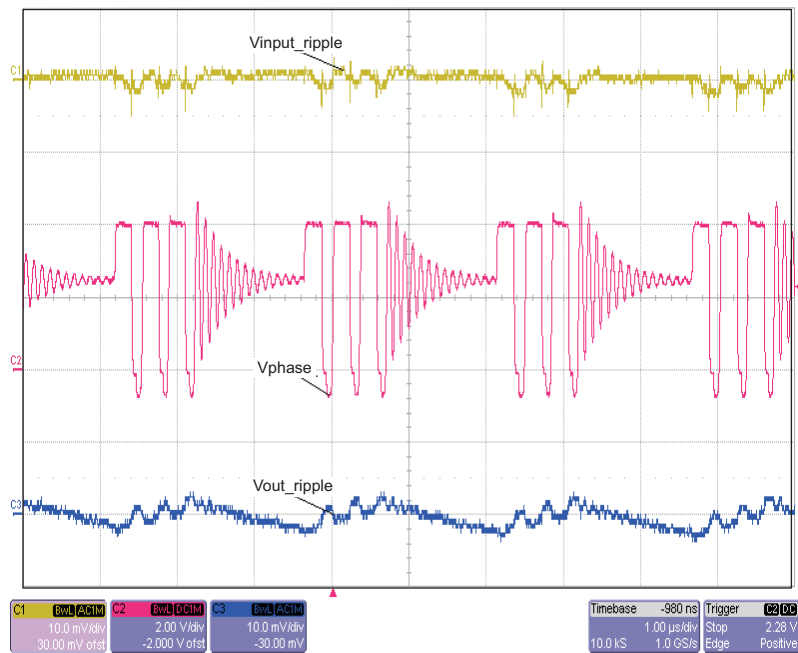


Figure 3. PFM Mode. $V_{in} = 4\text{ V}$, $V_{out} = 2.5\text{ V}$, $I_{out} = 25\text{ mA}$. DCM Operation, Therefore PFM Mode CH1 = Input Ripple; CH2 = Phase; CH3 = Output Ripple

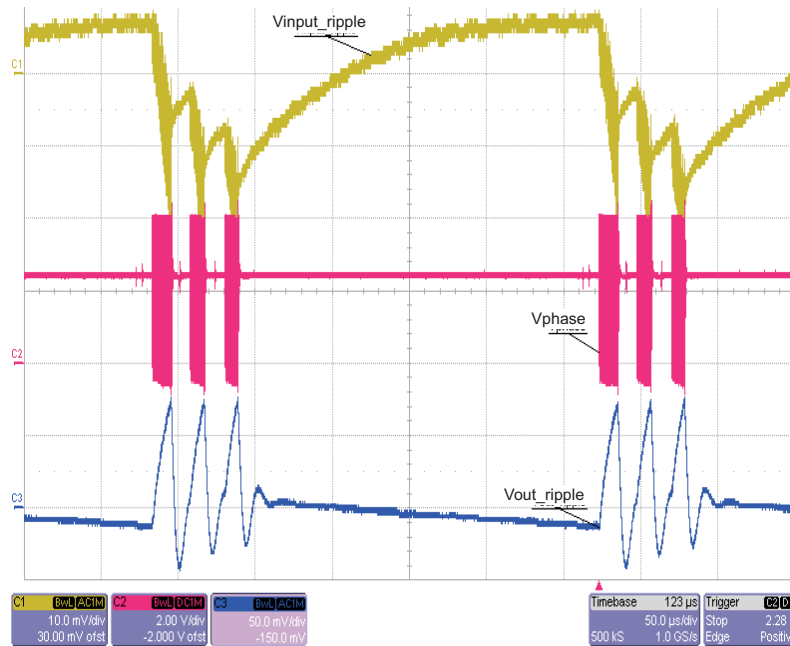


Figure 4. SNOOZE Mode. $V_{in} = 4\text{ V}$, $V_{out} = 2.5\text{ V}$, $I_{out} = 25\text{ mA}$. CH1 = Input Ripple; CH2 = Phase; CH3 = Output Ripple

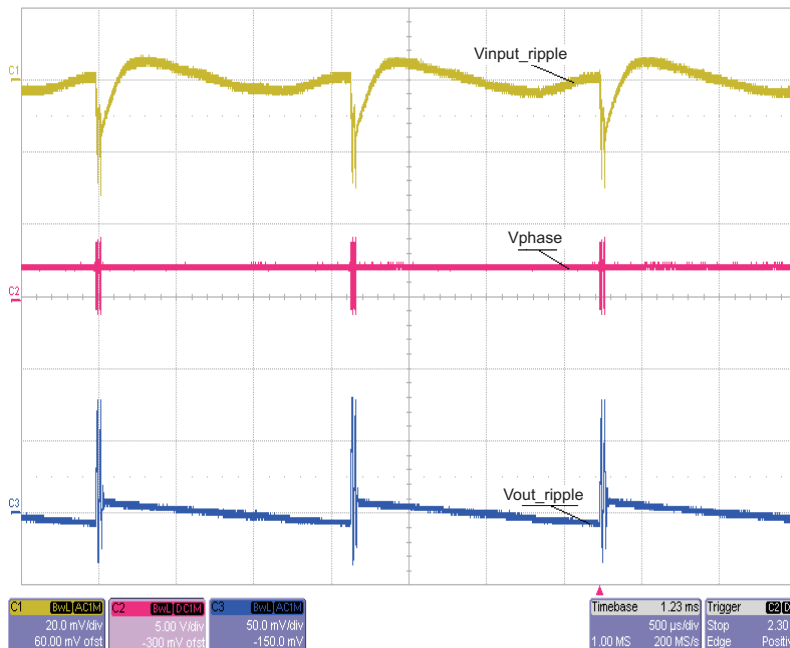


Figure 5. SNOOZE Mode. $V_{in} = 4\text{ V}$, $V_{out} = 2.5\text{ V}$, $I_{out} = 3\text{ mA}$; CH1 = Input Ripple; CH2 = Phase; CH3 = Output Ripple

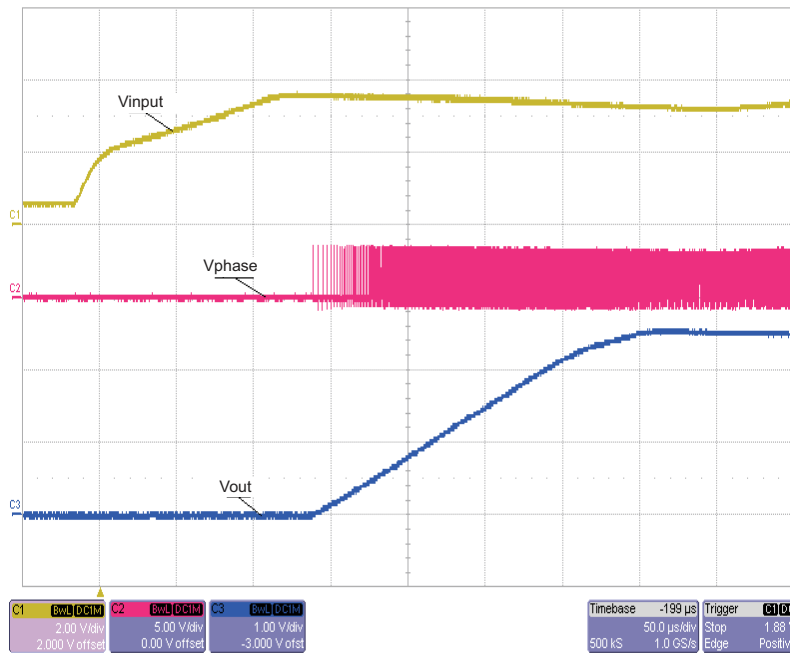


Figure 6. Start-up in PWM/PFM Mode. Vin = 4 V, Vout = 2.5 V, Iout = 0.5 A; CH1 = Input Voltage; CH2 = Phase; CH3 = Output Voltage

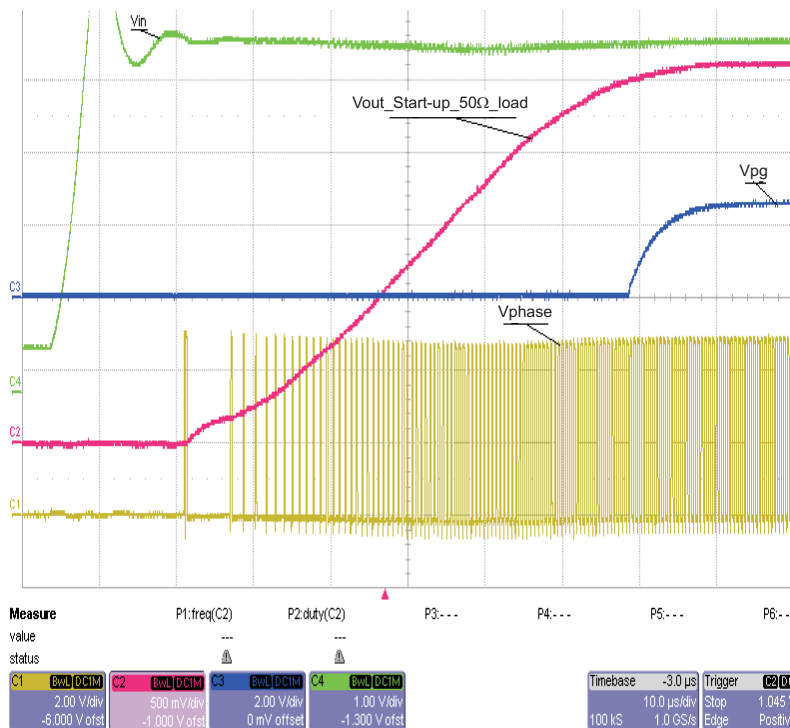


Figure 7. Start-up in PWM/PFM Mode. Vin = 5 V, Vout = 2.5 V, Iout = 0.5 A; CH4 = Input Voltage; CH1 = Phase; CH2 = Output Voltage; CH3 = PG

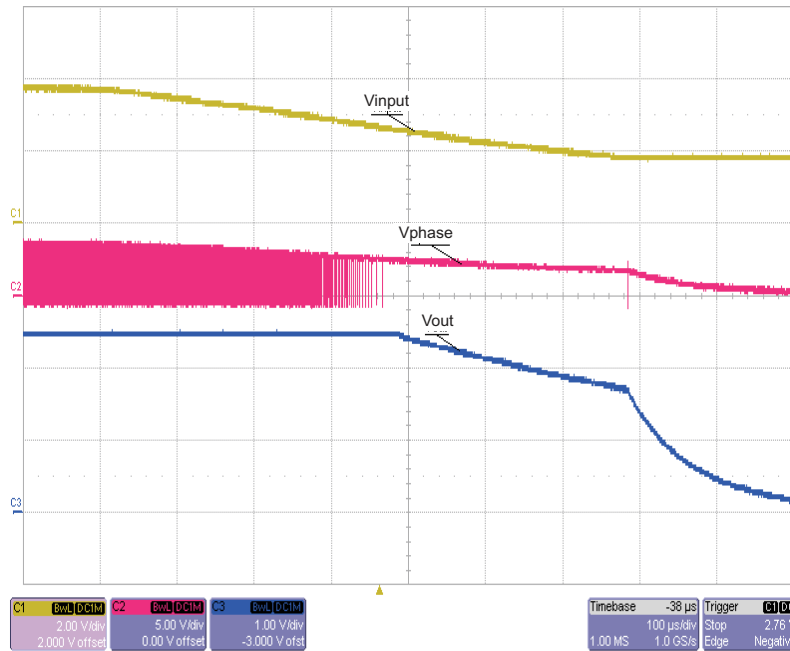


Figure 8. Power Down in PWM/PFM Mode, $V_{in} = 4\text{ V}$, $V_{out} = 2.5\text{ V}$, $I_{out} = 0.5\text{ A}$; CH1 = Input Voltage; CH2 = Phase; CH3 = Output Voltage

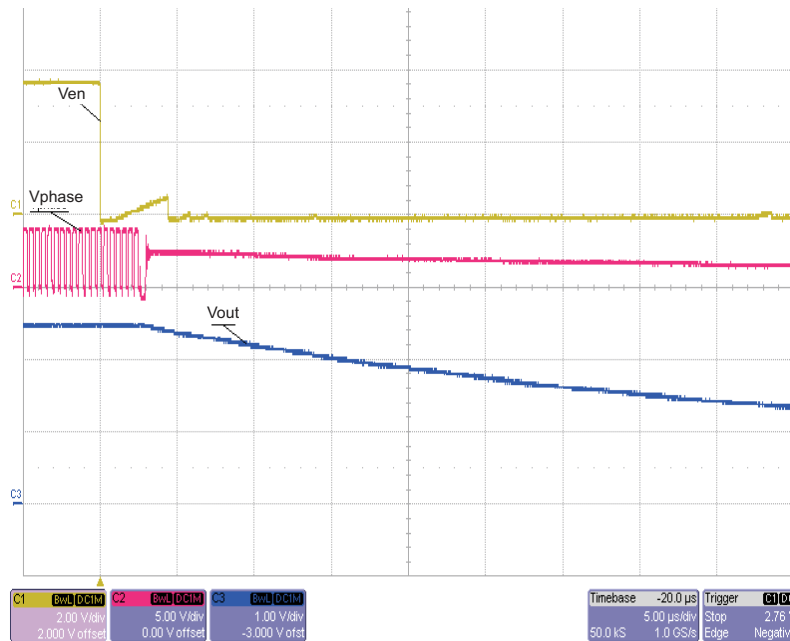


Figure 9. Shutdown Output With EN Pin. $V_{in} = 4\text{ V}$, $V_{out} = 2.5\text{ V}$, $I_{out} = 0.5\text{ A}$; CH1 = Input Voltage; CH2 = Phase; CH3 = Output Voltage

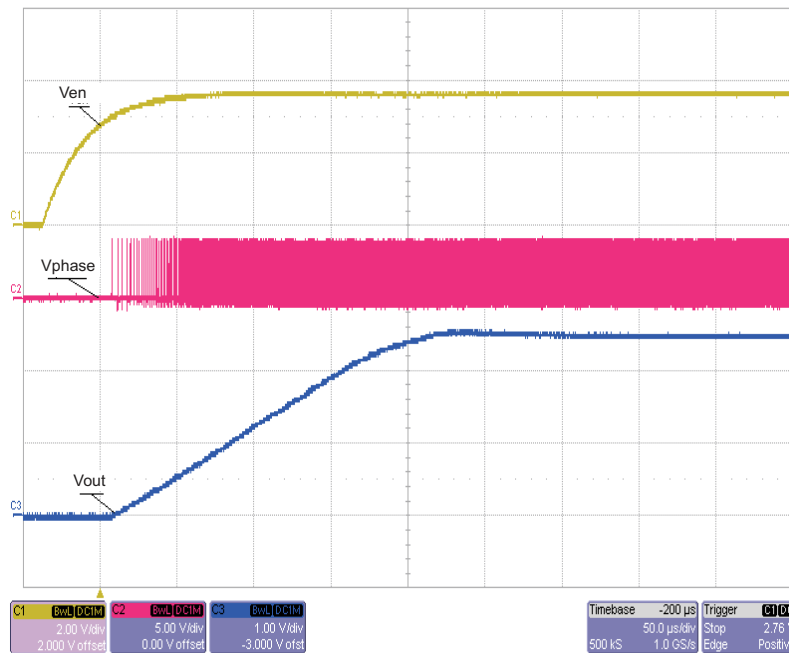


Figure 10. Power-up Output With EN pin. Vin = 4 V, Vout = 2.5 V, Iout = 0.5 A; CH1 = Input Voltage; CH2 = Phase; CH3 = Output Voltage

4 Schematic, Physical Layout and Bill of Materials

4.1 Schematic

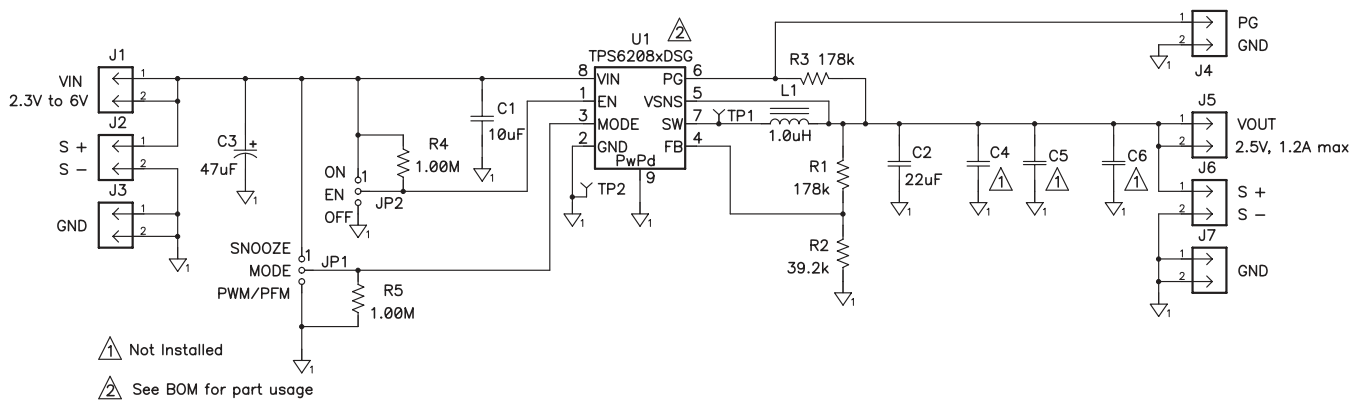


Figure 11. Schematic

4.2 Physical Layouts

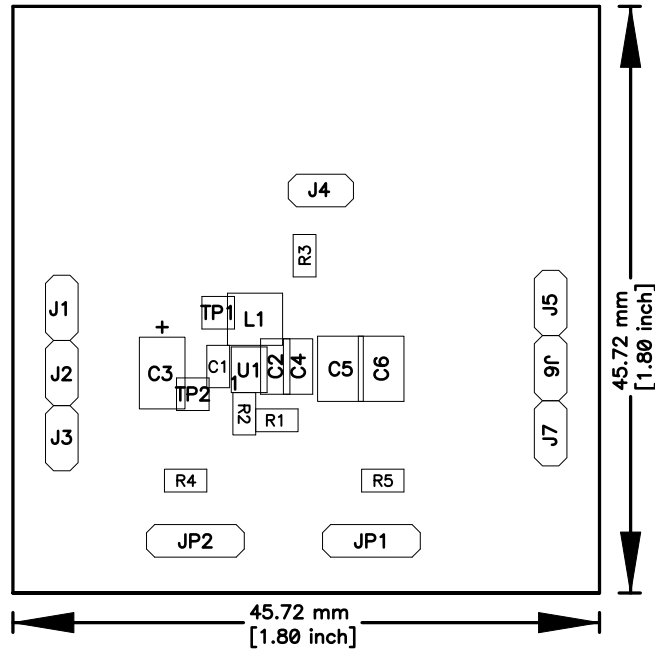


Figure 12. Assembly Layer

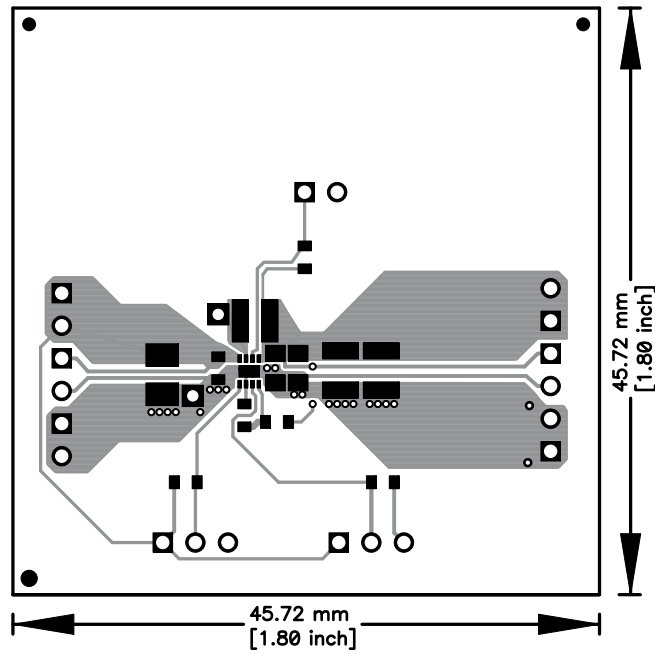


Figure 13. Top Layer

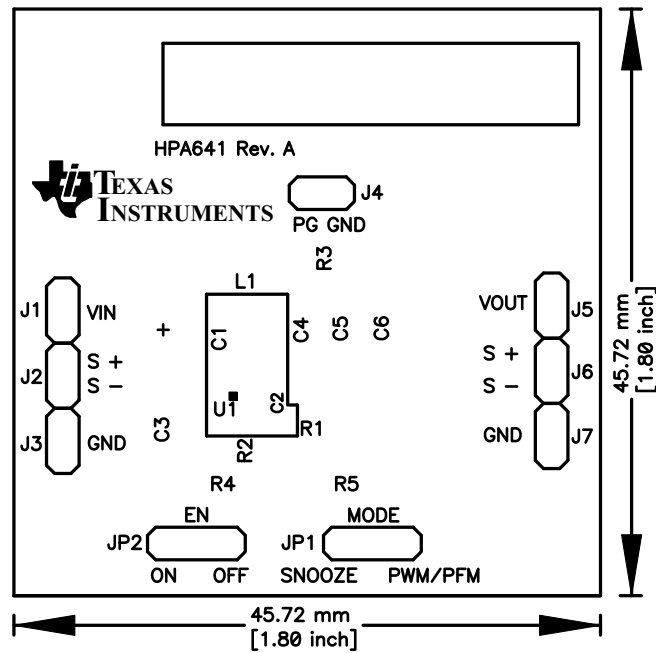


Figure 14. Bottom Layer

4.3 Bill of Materials

Table 2. Bill of Materials

Count	RefDes	Value	Description	Size	Part Number	MFR
1	C1	10 μ F	Capacitor, Ceramic, 6.3V, X5R, 20%	0603	Std	Std
1	C2	22 μ F	Capacitor, Ceramic, 6.3V, X5R, 20%	0805	GRM21BR60J226ME39L	Murata
1	C3	47 μ F	Capacitor, Tantalum, 8V, 35m Ω , 20%	3528(B)	T520B476M008ATE035	Kemet
0	C4	Open	Capacitor, Ceramic,	0805	Std	Std
0	C5, C6	Open	Capacitor, Ceramic,	1210	Std	Std
7	J1, J2, J3, J4, J5, J6, J7	PEC02SAAN	Header, Male 2-pin, 100mil spacing	0.100 inch x 2	PEC02SAAN	Sullins
2	JP1, JP2	PEC03SAAN	Header, 3 pin, 100mil spacing	0.100 x 3	PEC03SAAN	Sullins
1	L1	1.0uH	Inductor, Power, 2.2A, \pm 20%	0.120 x 0.120 inch	XFL3012-102MEB	Coilcraft
2	R1, R3	178k	Resistor, Chip, 1/16W, 1%	0603	Std	Std
1	R2	39.2k	Resistor, Chip, 1/16W, 1%	0603	Std	Std
2	R4, R5	1.00M	Resistor, Chip, 1/16W, 1%	0603	Std	Std
1	U1	TPS62080DSG	IC, 1.2A Sync. Step Down Converter with Snooze Mode	SON-8	TPS62080DSG	TI
2	—		Shunt, 100-mil, Black	0.1	929950-00	3M
1	—		Label (SeeNote 6)	1.25 x 0.25 inch	THT-13-457-10	Brady
1	—		PCB, 1.8 In x 1.8 In x 0.031 In		HPA641	Any

- Notes: 1. These assemblies are ESD sensitive, ESD precautions shall be observed.
2. These assemblies must be clean and free from flux and all contaminants. Use of no clean flux is not acceptable.
3. These assemblies must comply with workmanship standards IPC-A-610 Class 2.
4. Ref designators marked with an asterisk (***) cannot be substituted. All other components can be substituted with equivalent MFG's components.
5. Place shunt on JP1-2/3 (PWM/PFM) and JP2-1/2 (ON)
6. Install label after final wash. Text shall be 8 pt font. Text shall be per Table 1.

Table 1

Assembly Number	Text
HPA641-001	TPS62080EVM-641

EVALUATION BOARD/KIT/MODULE (EVM) ADDITIONAL TERMS

Texas Instruments (TI) provides the enclosed Evaluation Board/Kit/Module (EVM) under the following conditions:

The user assumes all responsibility and liability for proper and safe handling of the goods. Further, the user indemnifies TI from all claims arising from the handling or use of the goods.

Should this evaluation board/kit not meet the specifications indicated in the User's Guide, the board/ kit may be returned within 30 days from the date of delivery for a full refund. THE FOREGOING LIMITED WARRANTY IS THE EXCLUSIVE WARRANTY MADE BY SELLER TO BUYER AND IS IN LIEU OF ALL OTHER WARRANTIES, EXPRESSED, IMPLIED, OR STATUTORY, INCLUDING ANY WARRANTY OF MERCHANTABILITY OR FITNESS FOR ANY PARTICULAR PURPOSE. EXCEPT TO THE EXTENT OF THE INDEMNITY SET FORTH ABOVE, NEITHER PARTY SHALL BE LIABLE TO THE OTHER FOR ANY INDIRECT, SPECIAL, INCIDENTAL, OR CONSEQUENTIAL DAMAGES.

Please read the User's Guide and, specifically, the Warnings and Restrictions notice in the User's Guide prior to handling the product. This notice contains important safety information about temperatures and voltages. For additional information on TI's environmental and/or safety programs, please visit www.ti.com/esh or contact TI.

No license is granted under any patent right or other intellectual property right of TI covering or relating to any machine, process, or combination in which such TI products or services might be or are used. TI currently deals with a variety of customers for products, and therefore our arrangement with the user is not exclusive. TI assumes no liability for applications assistance, customer product design, software performance, or infringement of patents or services described herein.

REGULATORY COMPLIANCE INFORMATION

As noted in the EVM User's Guide and/or EVM itself, this EVM and/or accompanying hardware may or may not be subject to the Federal Communications Commission (FCC) and Industry Canada (IC) rules.

For EVMs **not** subject to the above rules, this evaluation board/kit/module is intended for use for ENGINEERING DEVELOPMENT, DEMONSTRATION OR EVALUATION PURPOSES ONLY and is not considered by TI to be a finished end product fit for general consumer use. It generates, uses, and can radiate radio frequency energy and has not been tested for compliance with the limits of computing devices pursuant to part 15 of FCC or ICES-003 rules, which are designed to provide reasonable protection against radio frequency interference. Operation of the equipment may cause interference with radio communications, in which case the user at his own expense will be required to take whatever measures may be required to correct this interference.

General Statement for EVMs including a radio

User Power/Frequency Use Obligations: This radio is intended for development/professional use only in legally allocated frequency and power limits. Any use of radio frequencies and/or power availability of this EVM and its development application(s) must comply with local laws governing radio spectrum allocation and power limits for this evaluation module. It is the user's sole responsibility to only operate this radio in legally acceptable frequency space and within legally mandated power limitations. Any exceptions to this is strictly prohibited and unauthorized by Texas Instruments unless user has obtained appropriate experimental/development licenses from local regulatory authorities, which is responsibility of user including its acceptable authorization.

For EVMs annotated as FCC – FEDERAL COMMUNICATIONS COMMISSION Part 15 Compliant

Caution

This device complies with part 15 of the FCC Rules. Operation is subject to the following two conditions: (1) This device may not cause harmful interference, and (2) this device must accept any interference received, including interference that may cause undesired operation

Changes or modifications not expressly approved by the party responsible for compliance could void the user's authority to operate the equipment.

FCC Interference Statement for Class A EVM devices

This equipment has been tested and found to comply with the limits for a Class A digital device, pursuant to part 15 of the FCC Rules. These limits are designed to provide reasonable protection against harmful interference when the equipment is operated in a commercial environment. This equipment generates, uses, and can radiate radio frequency energy and, if not installed and used in accordance with the instruction manual, may cause harmful interference to radio communications. Operation of this equipment in a residential area is likely to cause harmful interference in which case the user will be required to correct the interference at his own expense.

REGULATORY COMPLIANCE INFORMATION (continued)

FCC Interference Statement for Class B EVM devices

This equipment has been tested and found to comply with the limits for a Class B digital device, pursuant to part 15 of the FCC Rules. These limits are designed to provide reasonable protection against harmful interference in a residential installation. This equipment generates, uses and can radiate radio frequency energy and, if not installed and used in accordance with the instructions, may cause harmful interference to radio communications. However, there is no guarantee that interference will not occur in a particular installation. If this equipment does cause harmful interference to radio or television reception, which can be determined by turning the equipment off and on, the user is encouraged to try to correct the interference by one or more of the following measures:

- Reorient or relocate the receiving antenna.
- Increase the separation between the equipment and receiver.
- Connect the equipment into an outlet on a circuit different from that to which the receiver is connected.
- Consult the dealer or an experienced radio/TV technician for help.

For EVMs annotated as IC – INDUSTRY CANADA Compliant

This Class A or B digital apparatus complies with Canadian ICES-003.

Changes or modifications not expressly approved by the party responsible for compliance could void the user's authority to operate the equipment.

Concerning EVMs including radio transmitters

This device complies with Industry Canada licence-exempt RSS standard(s). Operation is subject to the following two conditions: (1) this device may not cause interference, and (2) this device must accept any interference, including interference that may cause undesired operation of the device.

Concerning EVMs including detachable antennas

Under Industry Canada regulations, this radio transmitter may only operate using an antenna of a type and maximum (or lesser) gain approved for the transmitter by Industry Canada. To reduce potential radio interference to other users, the antenna type and its gain should be so chosen that the equivalent isotropically radiated power (e.i.r.p.) is not more than that necessary for successful communication.

This radio transmitter has been approved by Industry Canada to operate with the antenna types listed in the user guide with the maximum permissible gain and required antenna impedance for each antenna type indicated. Antenna types not included in this list, having a gain greater than the maximum gain indicated for that type, are strictly prohibited for use with this device.

Cet appareil numérique de la classe A ou B est conforme à la norme NMB-003 du Canada.

Les changements ou les modifications pas expressément approuvés par la partie responsable de la conformité ont pu vider l'autorité de l'utilisateur pour actionner l'équipement.

Concernant les EVMs avec appareils radio

Le présent appareil est conforme aux CNR d'Industrie Canada applicables aux appareils radio exempts de licence. L'exploitation est autorisée aux deux conditions suivantes : (1) l'appareil ne doit pas produire de brouillage, et (2) l'utilisateur de l'appareil doit accepter tout brouillage radioélectrique subi, même si le brouillage est susceptible d'en compromettre le fonctionnement.

Concernant les EVMs avec antennes détachables

Conformément à la réglementation d'Industrie Canada, le présent émetteur radio peut fonctionner avec une antenne d'un type et d'un gain maximal (ou inférieur) approuvé pour l'émetteur par Industrie Canada. Dans le but de réduire les risques de brouillage radioélectrique à l'intention des autres utilisateurs, il faut choisir le type d'antenne et son gain de sorte que la puissance isotrope rayonnée équivalente (p.i.r.e.) ne dépasse pas l'intensité nécessaire à l'établissement d'une communication satisfaisante.

Le présent émetteur radio a été approuvé par Industrie Canada pour fonctionner avec les types d'antenne énumérés dans le manuel d'usage et ayant un gain admissible maximal et l'impédance requise pour chaque type d'antenne. Les types d'antenne non inclus dans cette liste, ou dont le gain est supérieur au gain maximal indiqué, sont strictement interdits pour l'exploitation de l'émetteur.

【Important Notice for Users of this Product in Japan】

This development kit is NOT certified as Confirming to Technical Regulations of Radio Law of Japan

If you use this product in Japan, you are required by Radio Law of Japan to follow the instructions below with respect to this product:

1. Use this product in a shielded room or any other test facility as defined in the notification #173 issued by Ministry of Internal Affairs and Communications on March 28, 2006, based on Sub-section 1.1 of Article 6 of the Ministry's Rule for Enforcement of Radio Law of Japan,
2. Use this product only after you obtained the license of Test Radio Station as provided in Radio Law of Japan with respect to this product, or
3. Use of this product only after you obtained the Technical Regulations Conformity Certification as provided in Radio Law of Japan with respect to this product. Also, please do not transfer this product, unless you give the same notice above to the transferee. Please note that if you could not follow the instructions above, you will be subject to penalties of Radio Law of Japan.

Texas Instruments Japan Limited
(address) 24-1, Nishi-Shinjuku 6 chome, Shinjuku-ku, Tokyo, Japan

<http://www.tij.co.jp>

【ご使用にあたっての注】

本開発キットは技術基準適合証明を受けておりません。

本製品のご使用に際しては、電波法遵守のため、以下のいずれかの措置を取っていただく必要がありますのでご注意ください。

1. 電波法施行規則第6条第1項第1号に基づく平成18年3月28日総務省告示第173号で定められた電波暗室等の試験設備でご使用いただく。
2. 実験局の免許を取得後ご使用いただく。
3. 技術基準適合証明を取得後ご使用いただく。

なお、本製品は、上記の「ご使用にあたっての注意」を譲渡先、移転先に通知しない限り、譲渡、移転できないものとします。

上記を遵守頂けない場合は、電波法の罰則が適用される可能性があることをご留意ください。

日本テキサス・インスツルメンツ株式会社
東京都新宿区西新宿 6 丁目 2 4 番 1 号
西新宿三井ビル

<http://www.tij.co.jp>

EVALUATION BOARD/KIT/MODULE (EVM) WARNINGS, RESTRICTIONS AND DISCLAIMERS

For Feasibility Evaluation Only, in Laboratory/Development Environments. Unless otherwise indicated, this EVM is not a finished electrical equipment and not intended for consumer use. It is intended solely for use for preliminary feasibility evaluation in laboratory/development environments by technically qualified electronics experts who are familiar with the dangers and application risks associated with handling electrical mechanical components, systems and subsystems. It should not be used as all or part of a finished end product.

Your Sole Responsibility and Risk. You acknowledge, represent and agree that:

1. You have unique knowledge concerning Federal, State and local regulatory requirements (including but not limited to Food and Drug Administration regulations, if applicable) which relate to your products and which relate to your use (and/or that of your employees, affiliates, contractors or designees) of the EVM for evaluation, testing and other purposes.
2. You have full and exclusive responsibility to assure the safety and compliance of your products with all such laws and other applicable regulatory requirements, and also to assure the safety of any activities to be conducted by you and/or your employees, affiliates, contractors or designees, using the EVM. Further, you are responsible to assure that any interfaces (electronic and/or mechanical) between the EVM and any human body are designed with suitable isolation and means to safely limit accessible leakage currents to minimize the risk of electrical shock hazard.
3. You will employ reasonable safeguards to ensure that your use of the EVM will not result in any property damage, injury or death, even if the EVM should fail to perform as described or expected.
4. You will take care of proper disposal and recycling of the EVM's electronic components and packing materials.

Certain Instructions. It is important to operate this EVM within TI's recommended specifications and environmental considerations per the user guidelines. Exceeding the specified EVM ratings (including but not limited to input and output voltage, current, power, and environmental ranges) may cause property damage, personal injury or death. If there are questions concerning these ratings please contact a TI field representative prior to connecting interface electronics including input power and intended loads. Any loads applied outside of the specified output range may result in unintended and/or inaccurate operation and/or possible permanent damage to the EVM and/or interface electronics. Please consult the EVM User's Guide prior to connecting any load to the EVM output. If there is uncertainty as to the load specification, please contact a TI field representative. During normal operation, some circuit components may have case temperatures greater than 60°C as long as the input and output are maintained at a normal ambient operating temperature. These components include but are not limited to linear regulators, switching transistors, pass transistors, and current sense resistors which can be identified using the EVM schematic located in the EVM User's Guide. When placing measurement probes near these devices during normal operation, please be aware that these devices may be very warm to the touch. As with all electronic evaluation tools, only qualified personnel knowledgeable in electronic measurement and diagnostics normally found in development environments should use these EVMs.

Agreement to Defend, Indemnify and Hold Harmless. You agree to defend, indemnify and hold TI, its licensors and their representatives harmless from and against any and all claims, damages, losses, expenses, costs and liabilities (collectively, "Claims") arising out of or in connection with any use of the EVM that is not in accordance with the terms of the agreement. This obligation shall apply whether Claims arise under law of tort or contract or any other legal theory, and even if the EVM fails to perform as described or expected.

Safety-Critical or Life-Critical Applications. If you intend to evaluate the components for possible use in safety critical applications (such as life support) where a failure of the TI product would reasonably be expected to cause severe personal injury or death, such as devices which are classified as FDA Class III or similar classification, then you must specifically notify TI of such intent and enter into a separate Assurance and Indemnity Agreement.

Mailing Address: Texas Instruments, Post Office Box 655303, Dallas, Texas 75265
Copyright © 2012, Texas Instruments Incorporated

IMPORTANT NOTICE

Texas Instruments Incorporated and its subsidiaries (TI) reserve the right to make corrections, modifications, enhancements, improvements, and other changes to its products and services at any time and to discontinue any product or service without notice. Customers should obtain the latest relevant information before placing orders and should verify that such information is current and complete. All products are sold subject to TI's terms and conditions of sale supplied at the time of order acknowledgment.

TI warrants performance of its hardware products to the specifications applicable at the time of sale in accordance with TI's standard warranty. Testing and other quality control techniques are used to the extent TI deems necessary to support this warranty. Except where mandated by government requirements, testing of all parameters of each product is not necessarily performed.

TI assumes no liability for applications assistance or customer product design. Customers are responsible for their products and applications using TI components. To minimize the risks associated with customer products and applications, customers should provide adequate design and operating safeguards.

TI does not warrant or represent that any license, either express or implied, is granted under any TI patent right, copyright, mask work right, or other TI intellectual property right relating to any combination, machine, or process in which TI products or services are used. Information published by TI regarding third-party products or services does not constitute a license from TI to use such products or services or a warranty or endorsement thereof. Use of such information may require a license from a third party under the patents or other intellectual property of the third party, or a license from TI under the patents or other intellectual property of TI.

Reproduction of TI information in TI data books or data sheets is permissible only if reproduction is without alteration and is accompanied by all associated warranties, conditions, limitations, and notices. Reproduction of this information with alteration is an unfair and deceptive business practice. TI is not responsible or liable for such altered documentation. Information of third parties may be subject to additional restrictions.

Resale of TI products or services with statements different from or beyond the parameters stated by TI for that product or service voids all express and any implied warranties for the associated TI product or service and is an unfair and deceptive business practice. TI is not responsible or liable for any such statements.

TI products are not authorized for use in safety-critical applications (such as life support) where a failure of the TI product would reasonably be expected to cause severe personal injury or death, unless officers of the parties have executed an agreement specifically governing such use. Buyers represent that they have all necessary expertise in the safety and regulatory ramifications of their applications, and acknowledge and agree that they are solely responsible for all legal, regulatory and safety-related requirements concerning their products and any use of TI products in such safety-critical applications, notwithstanding any applications-related information or support that may be provided by TI. Further, Buyers must fully indemnify TI and its representatives against any damages arising out of the use of TI products in such safety-critical applications.

TI products are neither designed nor intended for use in military/aerospace applications or environments unless the TI products are specifically designated by TI as military-grade or "enhanced plastic." Only products designated by TI as military-grade meet military specifications. Buyers acknowledge and agree that any such use of TI products which TI has not designated as military-grade is solely at the Buyer's risk, and that they are solely responsible for compliance with all legal and regulatory requirements in connection with such use.

TI products are neither designed nor intended for use in automotive applications or environments unless the specific TI products are designated by TI as compliant with ISO/TS 16949 requirements. Buyers acknowledge and agree that, if they use any non-designated products in automotive applications, TI will not be responsible for any failure to meet such requirements.

Following are URLs where you can obtain information on other Texas Instruments products and application solutions:

Products

Audio	www.ti.com/audio
Amplifiers	amplifier.ti.com
Data Converters	dataconverter.ti.com
DLP® Products	www.dlp.com
DSP	dsp.ti.com
Clocks and Timers	www.ti.com/clocks
Interface	interface.ti.com
Logic	logic.ti.com
Power Mgmt	power.ti.com
Microcontrollers	microcontroller.ti.com
RFID	www.ti-rfid.com
OMAP Mobile Processors	www.ti.com/omap
Wireless Connectivity	www.ti.com/wirelessconnectivity

Applications

Automotive and Transportation	www.ti.com/automotive
Communications and Telecom	www.ti.com/communications
Computers and Peripherals	www.ti.com/computers
Consumer Electronics	www.ti.com/consumer-apps
Energy and Lighting	www.ti.com/energy
Industrial	www.ti.com/industrial
Medical	www.ti.com/medical
Security	www.ti.com/security
Space, Avionics and Defense	www.ti.com/space-avionics-defense
Video and Imaging	www.ti.com/video

TI E2E Community Home Page

e2e.ti.com

Mailing Address: Texas Instruments, Post Office Box 655303, Dallas, Texas 75265
Copyright © 2012, Texas Instruments Incorporated