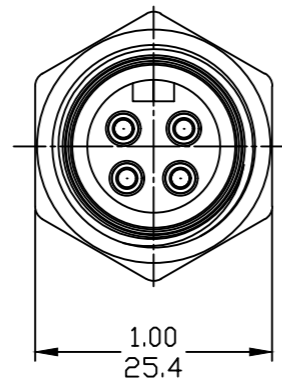
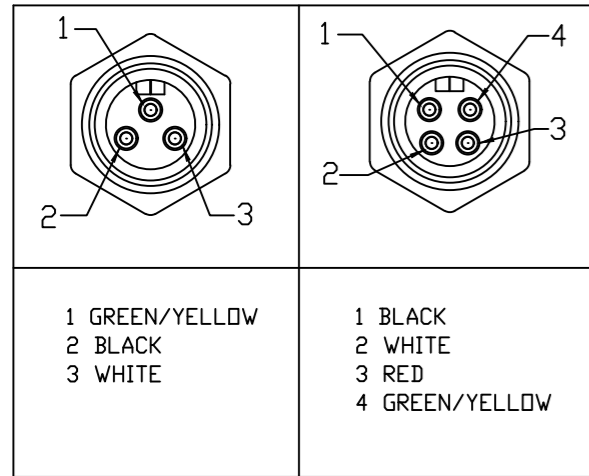


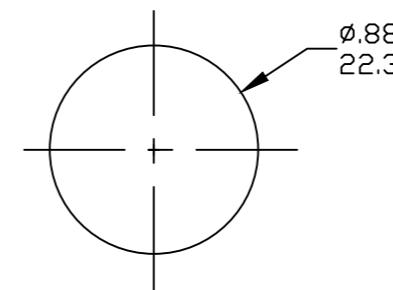
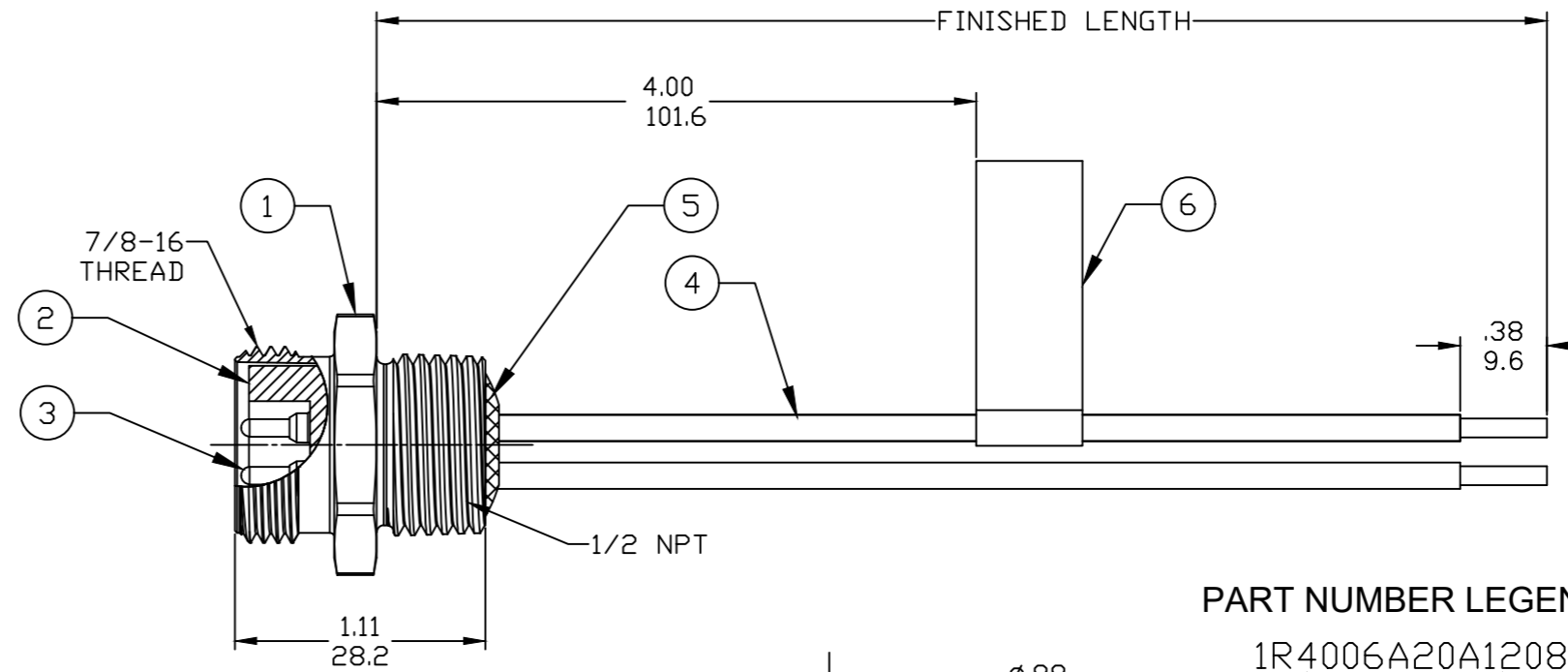
PART NO.	ENGINEERING NO.	FINISHED LENGTH
1300660076	1R4006A20A1208	12 IN
1300131136	1R4006A20F0308	3.0 FT
1300130369	1R4006A20M0108	1.0M

CABLE LENGTH TOLERANCES	
>.3M [1FT]:	+19mm-0 [ +.75in-0]
.3 - .9M [1 - 3FT]:	+44.5mm-0 [+1.75in-0]
.9 - 1.8M [3 - 6FT]:	+55.6mm-0 [+2.19in-0]
1.8 - 3.7M [6 - 12FT]:	+88.9mm-0 [+3.50in-0]
3.7 - 7.3M [12 - 24FT]:	+165.1mm-0 [+6.50in-0]
7.3-14.6M [24 - 48FT]:	+317.5mm-0 [+12.50in-0]
14.6 - 30.5M [48-100FT]:	+622.3mm-0 [+24.50in-0]
OVER 30M [100FT]	+2% OF FINISHED LENGTH

### FACE VIEW - MALE INSERT



- NOTES:**
- MATERIAL: AS NOTED
  - FINISH: AS NOTED
  - ELECTRICAL:  
VOLTAGE: 600V PER UL 2238  
3P 500V PER IEC 60664  
4P 483V PER IEC 60664  
CURRENT: 3 POLE: 13A  
4 POLE: 10A
  - TEMP RATING: -20°TO +105°C
  - PROTECTION: IP67, IP69K (WHEN MATED)
  - UL LISTED, FILE: E258922 FOR 3 & 4 POLE
  - ALL DIMS ARE FOR REFERENCE UNLESS OTHERWISE NOTED



REF. KNOCKOUT HOLE

### PART NUMBER LEGEND

1R4006A20A1208

↑ POLES      ↑ FINISHED LENGTH:  
 A120= 12 IN.  
 F030= 3 FEET  
 F100= 10 FEET

M005= 0.5 METER  
 M010= 1 METER  
 M100= 10 METER

ITEM	COMPONENT	MATERIAL	FINISH
6	LABEL	VINYL	BLACK/YELLOW
5	POTTING	EPOXY	
4	WIRE, 16 AWG, UL 1015	PVC INSUL.	SEE FACE VIEW
3	CONTACT PIN	CU ALLOY	GOLD PLATED
2	INSERT	TPE	YELLOW
1	RECEPTACLE SHELL	STAINLESS STEEL 316	PASSIVATED

FUNCTIONAL SYMBOLS		THIS DRAWING CONTAINS INFORMATION THAT IS PROPRIETARY TO MOLEX ELECTRONIC TECHNOLOGIES, LLC AND SHOULD NOT BE USED WITHOUT WRITTEN PERMISSION		CURRENT REV DESC: INITIAL RELEASE	
$F=0$	DIMENSION UNITS	INCH/MM	SCALE	NTS	
$E=0$	GENERAL TOLERANCES (UNLESS SPECIFIED)				
$P=0$		mm	INCH		
DIVISIONAL SYMBOLS	4 PLACES	±----	±----	EC NO: 639412	
	3 PLACES	±----	±----	DRWN: CCHRSTKA	2020/06/11
	2 PLACES	±----	±----	CHK'D: ALEON01	2020/06/12
	1 PLACE	±----	±----	APPR: BWOODMAN	2020/06/17
	0 PLACES	±----	±----	INITIAL REVISION:	
	ANGULAR TOL ± 1.0 °		DRWN: CCHRSTKA	2020/06/11	
	DRAFT WHERE APPLICABLE MUST REMAIN WITHIN DIMENSIONS		APPR: BWOODMAN	2020/06/17	
	THIRD ANGLE PROJECTION	DRAWING	SERIES	MATERIAL NUMBER	CUSTOMER
		B-SIZE	130066	SEE TABLE	GENERAL MARKET
				DOCUMENT NUMBER	DOC TYPE/DOC PART/REVISION
				1300660076	PSD 000 A
					SHEET NUMBER
					1 OF 1